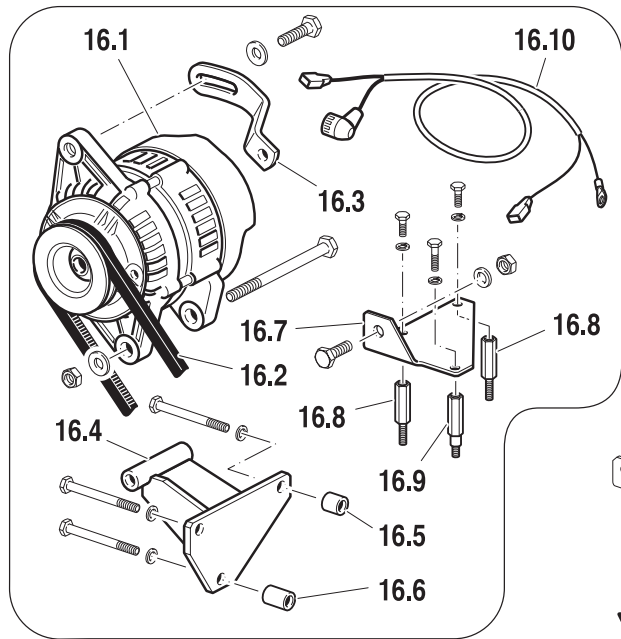


Inhoudsopgave

01 Motor	3
02 Motor	5
03 Gaskabels	9
04 Radiateur	11
05 Luchtfilter	13
06 Tank	15
07 Motorkap	17
08 Spatborden voor	19
09 Spatborden achter	21
10 Rolbeugel	25
11 Stickers	29
12 Stuur & Dashb.	31
13 Zitting	33
17 Vooras	41
18 Vooras	43
19 Drijfwerkhuis	45
20 Huis achteras	47
21 Diff, voor	49
23 Fusee	53
24 Cardanas	55
26 Koppeling	61
27 Koppl. Pedaal	63
28 Tandwielen	65
34 Schakel poken	79
36 Diff Achter	83
37 Eindvertr. Wiel	85
38 Diff. Slot	87
39 PTO	89
40 PTO Inschakeling	91
41 PTO Tandwielen	93
42 Front PTO	95
43 Inschakeling	97
44 Remmen	99
45 Rempedalen	101
46 Electrisch	103
51 Stuur Hydraulisch	115
52 Hefcilinder	117
53 Hefcilinder Dubbel	119
54 Hydr. Filter	121
55 Hef Ventiel	125
56 Hydr. vrije retour	127
59 Achter aansl.	139
60 Hydr. achter	141
62 Hydr, Hef	147

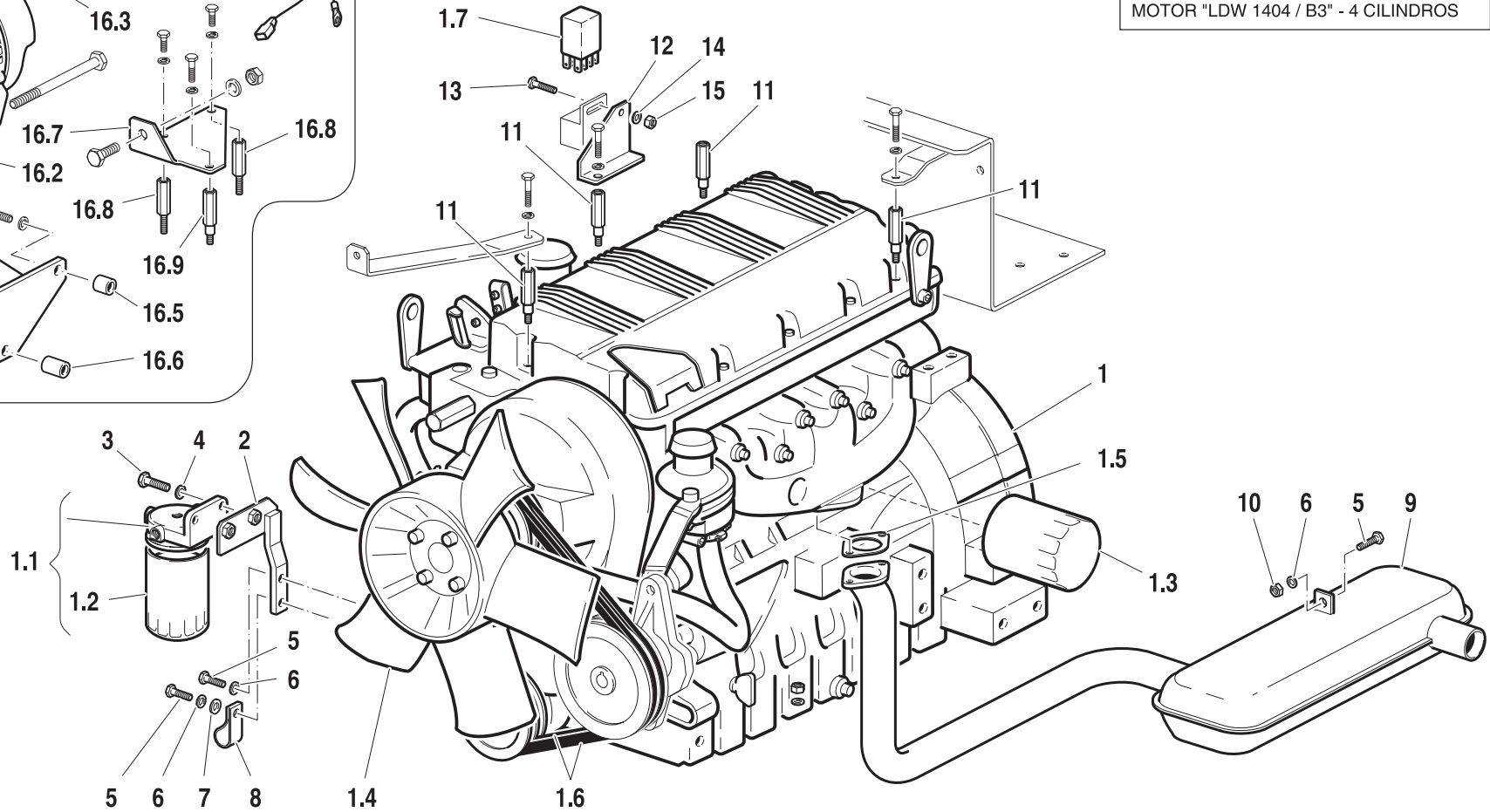
63 Hydr. pomp	151
64 Hydrauliek	155
67 Hef deksel	167
69 Hydrauliek	175
73 Driepunt	187
74 Frontgewichten	189
75 Trekhaak	191
76 Trekhaak	193
77 Wielen	195
81 Kabine	203



- 16**
- KIT ALTERNATORE PER CABINA
 - CAB ALTERNATOR KIT
 - KIT ALTERNATEUR POUR CABINE
 - KABINENALTERNATORENSATZ
 - KIT ALTERNADOR CABINA

LOMBARDINI

MOTORE "LDW 1404 / B3" - 4 CILINDRI
 "LDW 1404 / B3" ENGINE - 4 CYLINDERS
 MOTEUR "LDW 1404 / B3" - 4 CYLINDRES
 "LDW 1404 / B3" MOTOR - 4 ZYLINDERN
 MOTOR "LDW 1404 / B3" - 4 CILINDROS



Pos.	Code	Q.ty	Description	Notes
1	41N90003	1	MOT LOMB LDW1404/B3 K2A48D1 *	
1.1	59900192	1	FUEL FILTER	
1.2	59900193	1	FILTER INSERT	
1.3	59900194	1	OIL FILTER	
1.4	58173442	1	FAN	
1.5	F0824812000	1	GASKET	
1.6	59900222	1	ENGINE BELT	
1.7	F0834378001	1	CENTRAL PROCESSING UNIT	
2	59075244	1	FILTER SUPPORT	
3	31112219	1	SCREW TE M10X25 UNI 5739	
4	31411105	1	WASHER 10,5x21	
5	31112150	1	SCREW TE M8X20 UNI 5739 8G	
6	F0843643060	1	WASHER 8	
7	31411084	1	WASHER 8,4x17	
8	58073300	1	HOSE CLIP	
9	58173617	1	EXHAUST SILENCER	
10	31211080	1	NUT M8	
11	56173204	1	SMALL COLUMN	
12	56173065	1	SUPPORT	
13	F0861929060	1	SCREW M5X12 UNI 5739	
14	F0843561000	1	WASHER 5	
15	F0814525000	1	NUT M5	
16	59978052	1	KIT	
16.10	58075963	1	CABLE	
16.1	58175981	1	ALTERNATOR	
16.2	58175982	1	BELT	
16.3	56175960	1	TENSION ROLLER	
16.4	59075955	1	SUPPORT	
16.5	56175957	1	SPACER	
16.6	56175956	1	SPACER	
16.7	56175958	1	SUPPORT	
16.8	56173204	1	SMALL COLUMN	
16.9	56175959	1	SMALL COLUMN	

SERIAL

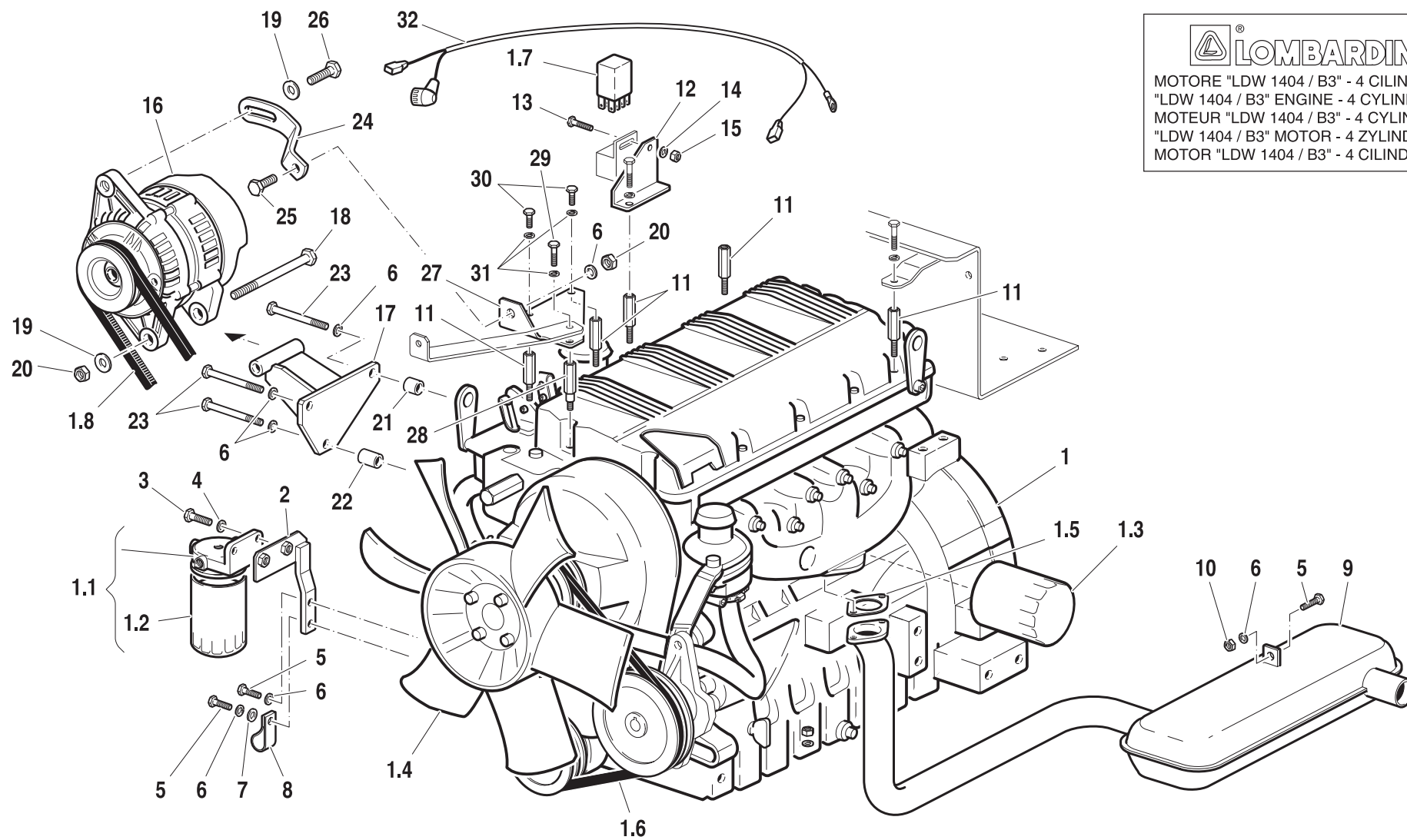
ENGINE
Version: 40CV

CODE REV

A.01.02_1_19967



MOTORE "LDW 1404 / B3" - 4 CILINDRI
"LDW 1404 / B3" ENGINE - 4 CYLINDERS
MOTEUR "LDW 1404 / B3" - 4 CYLINDRES
"LDW 1404 / B3" MOTOR - 4 ZYLINDERN
MOTOR "LDW 1404 / B3" - 4 CILINDROS



Pos.	Code	Q.ty	Description	Notes
1	41N91003	1	MOT LOMB LDW1404/B3 K2A45D0 *	
1.1	59900192	1	FUEL FILTER	
1.2	59900193	1	FILTER INSERT	
1.3	59900194	1	OIL FILTER	
1.4	58173442	1	FAN	
1.5	F0824812000	1	GASKET	
1.6	59900222	1	ENGINE BELT	
1.7	F0834378001	1	CENTRAL PROCESSING UNIT	
1.8	58175982	1	BELT	
2	59075244	1	FILTER SUPPORT	
3	31112219	1	SCREW TE M10X25 UNI 5739	
4	31411105	1	WASHER 10,5x21	
5	31112150	1	SCREW TE M8X20 UNI 5739 8G	
6	F0843643060	1	WASHER 8	
7	31411084	1	WASHER 8,4x17	
8	58073300	1	HOSE CLIP	
9	58173617	1	EXHAUST SILENCER	
10	31211080	1	NUT M8	
11	56173204	1	SMALL COLUMN	
12	56173065	1	SUPPORT	
13	F0861929060	1	SCREW M5X12 UNI 5739	
14	F0843561000	1	WASHER 5	
15	F0814525000	1	NUT M5	
16	58175981	1	ALTERNATOR	
17	59075955	1	SUPPORT	
18	31112174	1	SCREW TE M8X110 UNI 5737 8.8	
19	31421083	1	WASHER	
20	F0814574000	1	NUT M8	
21	56175957	1	SPACER	
22	56175956	1	SPACER	
23	31112159	1	SCREW TE M8X65 UNI 5737 8G	
24	56175960	1	TENSION ROLLER	
25	31112147	1	SCREW TE M8X18 UNI 5739 8G	
26	31112146	1	SCREW TE M8X22 UNI 5739 8G	

SERIAL

ENGINE (TRACTORS WITH CAB)

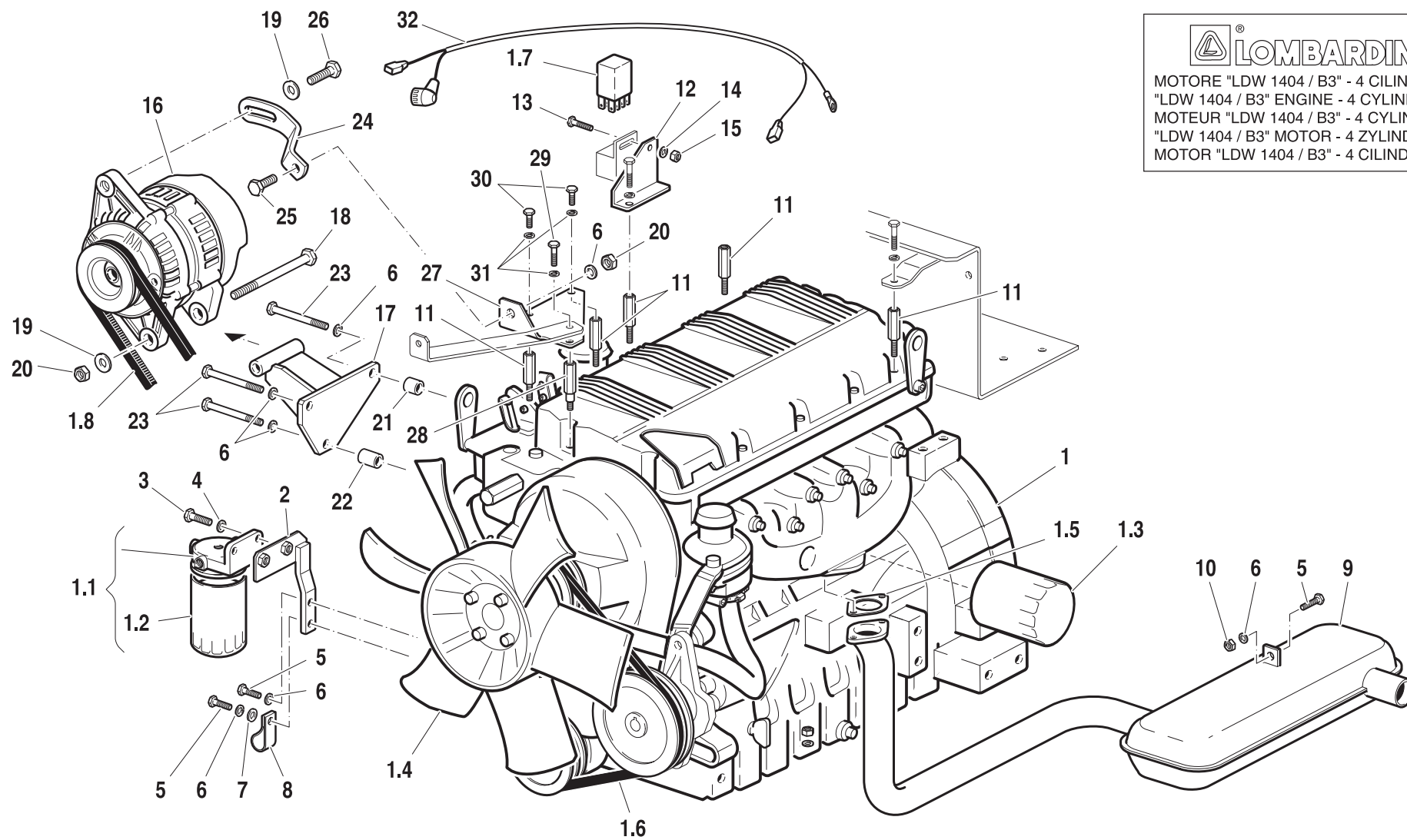
Version: 40CV

CODE REV

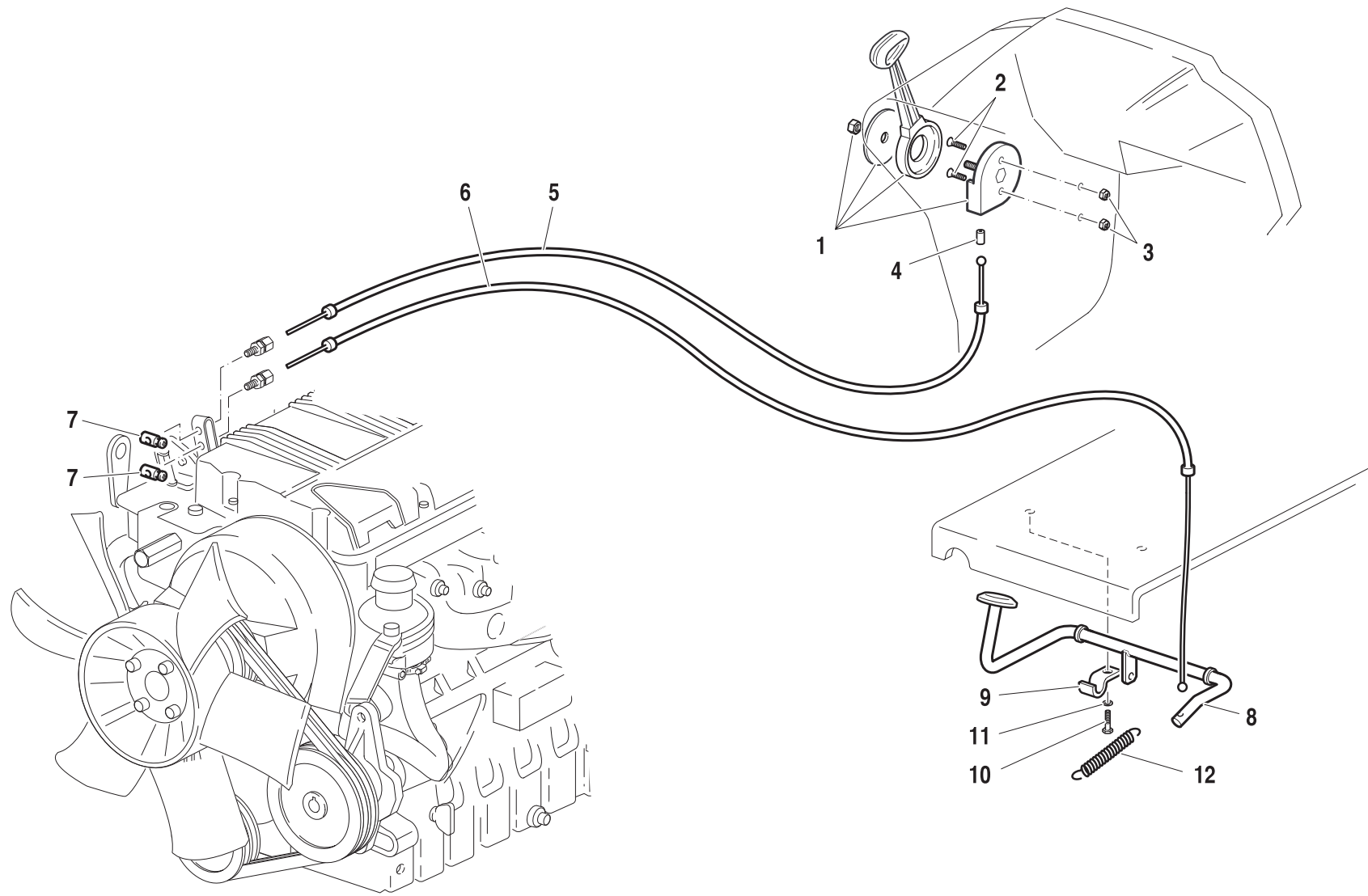
A.01.04_0_20042



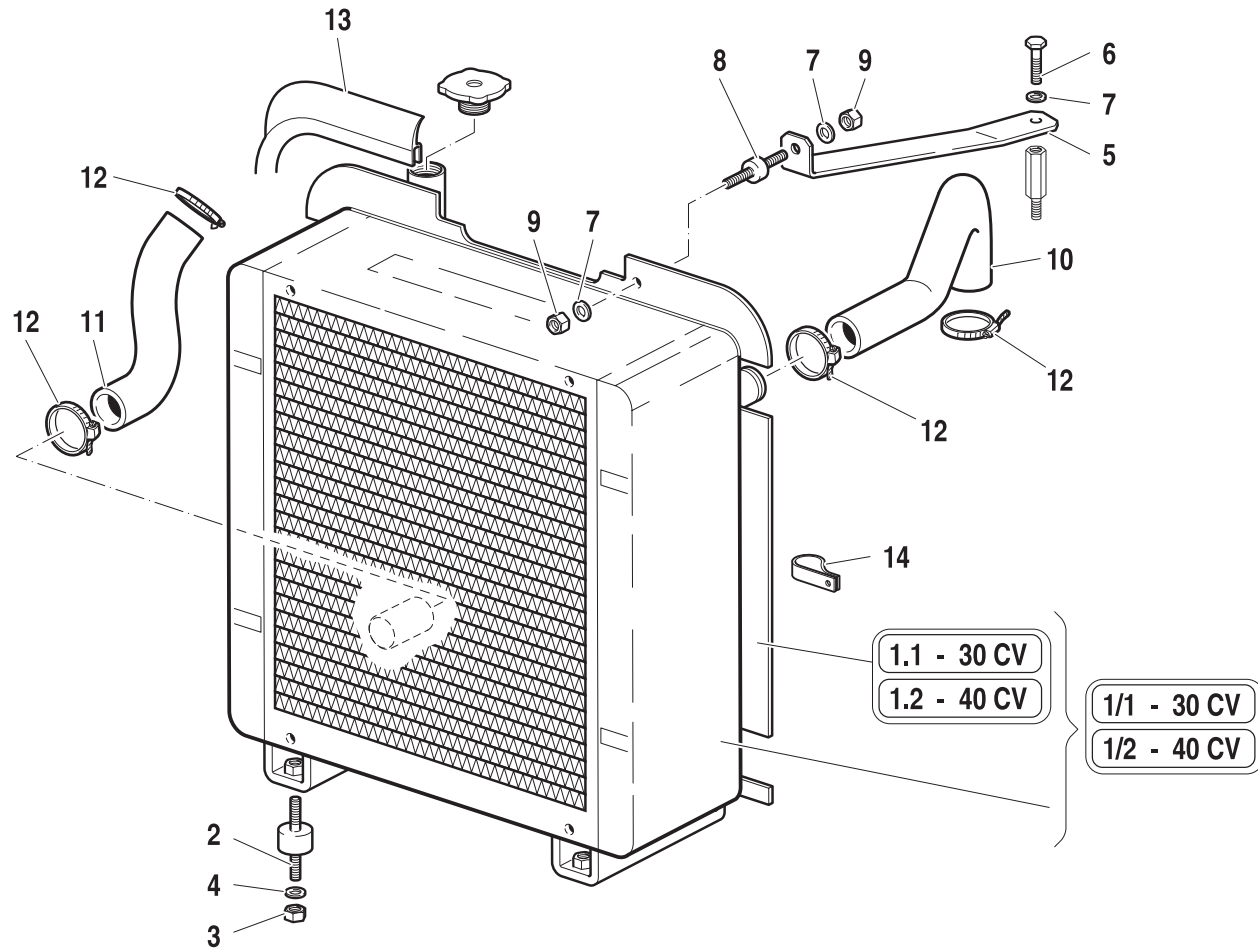
MOTORE "LDW 1404 / B3" - 4 CILINDRI
"LDW 1404 / B3" ENGINE - 4 CYLINDERS
MOTEUR "LDW 1404 / B3" - 4 CYLINDRES
"LDW 1404 / B3" MOTOR - 4 ZYLINDERN
MOTOR "LDW 1404 / B3" - 4 CILINDROS



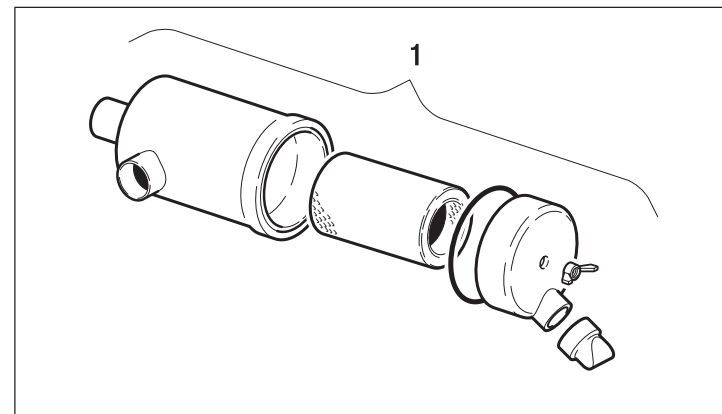
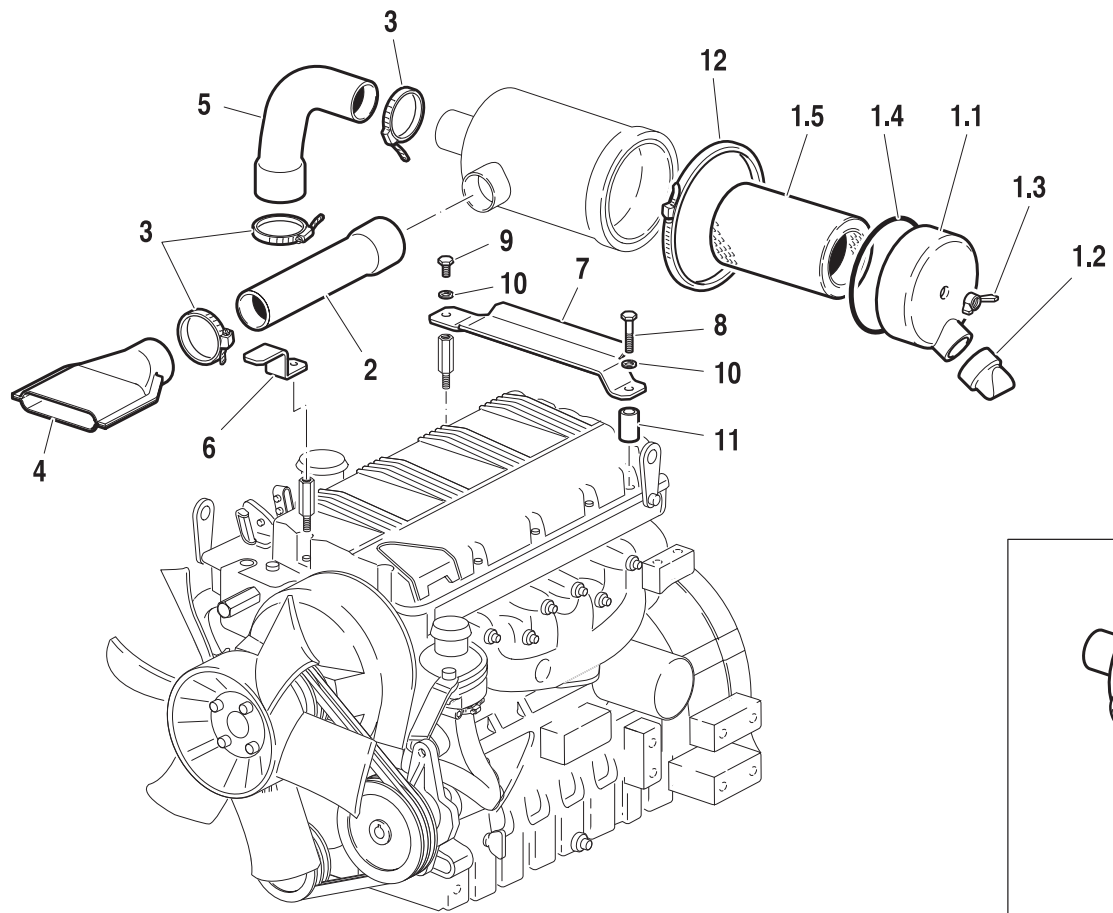
Pos.	Code	Q.ty	Description	Notes
27	56175958	1	SUPPORT	
28	56175959	1	SMALL COLUMN	
29	31112087	1	SCREW TE M6X22 UNI 5739 8G	
30	31112090	1	SCREW TE M6X16 UNI 5739 8G	
31	F0843570000	1	WASHER 6	
32	58075962	1	CABLE	



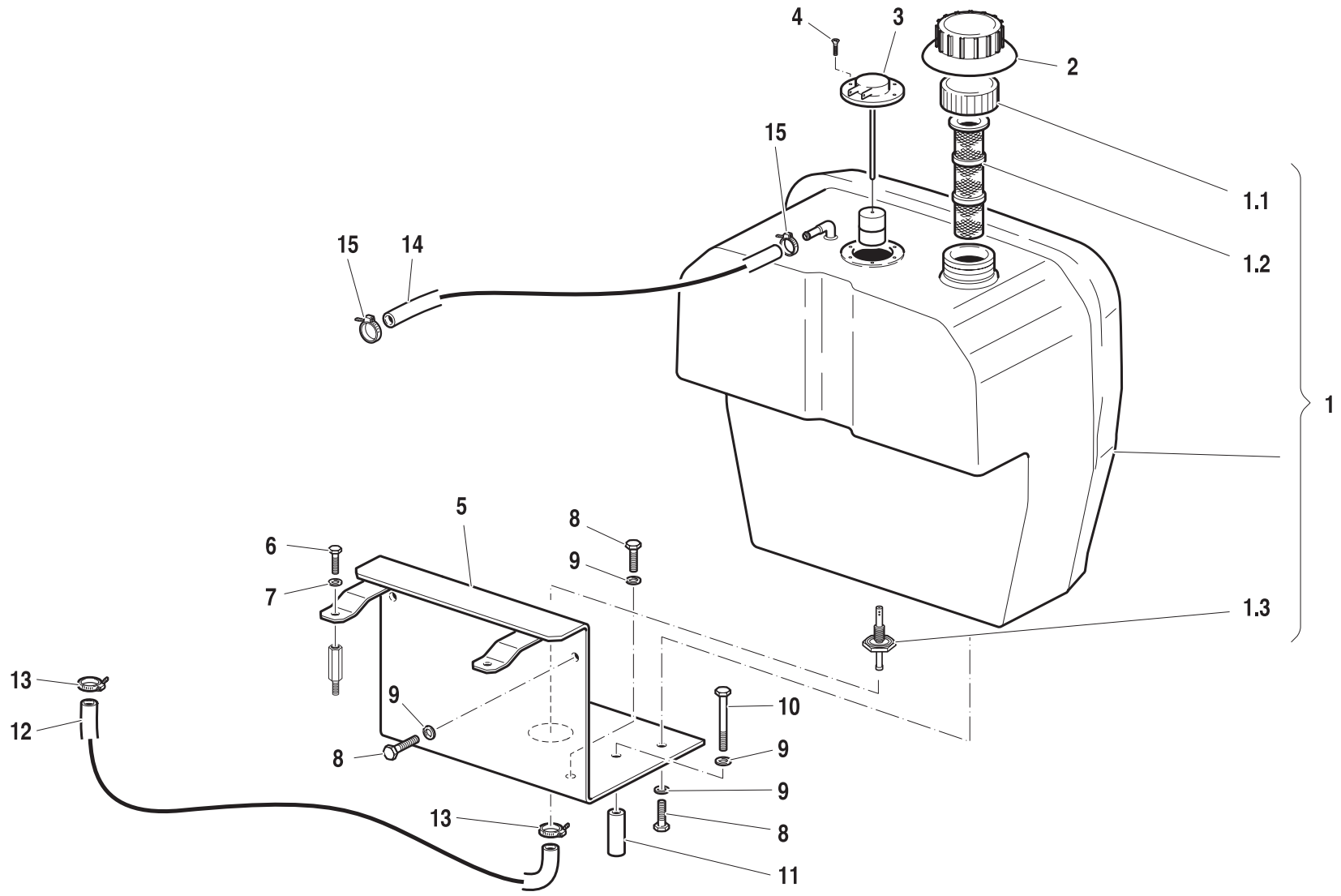
Pos.	Code	Q.ty	Description	Notes
1	F0828029070	1	ACCELERATOR	
2	31132562	1	SCREW TSVEI M6X16 UNI 5933	
3	31211060	1	NUT M6	
4	F0858520000	1	SLEEVE	
5	58075980	1	CABLE	
6	58073640	1	CABLE	
7	58048002	1	CLAMPING SCREW	
8	59073291	1	ACCEL. PEDAL	
9	56071768	1	PLATE	
10	31112148	1	SCREW TE M8X18 UNI 5739 8G	
11	F0843643060	1	WASHER 8	
12	F0831125000	1	SPRING	



Pos.	Code	Q.ty	Description	Notes
1/1	58174408	1	RADIATOR	
1.1	58175054	1	DUCT	
1.2	58175053	1	DUCT	
1/2	58174407	1	RADIATOR	
2	58174093	1	SILENT-BLOCK	
3	31211080	1	NUT M8	
4	F0843643060	1	WASHER 8	
5	56173012	1	BRACKET	
6	31112090	1	SCREW TE M6X16 UNI 5739 8G	
7	F0843570000	1	WASHER 6	
8	F0849206005	1	SILENT-BLOCK	
9	31211060	1	NUT M6	
10	55172995	1	SLEEVE	
11	55172994	1	SLEEVE	
12	P40533900000	1	CLAMP	
13	F0256809050	1	GASKET	
14	F0825415050	1	CLAMP	

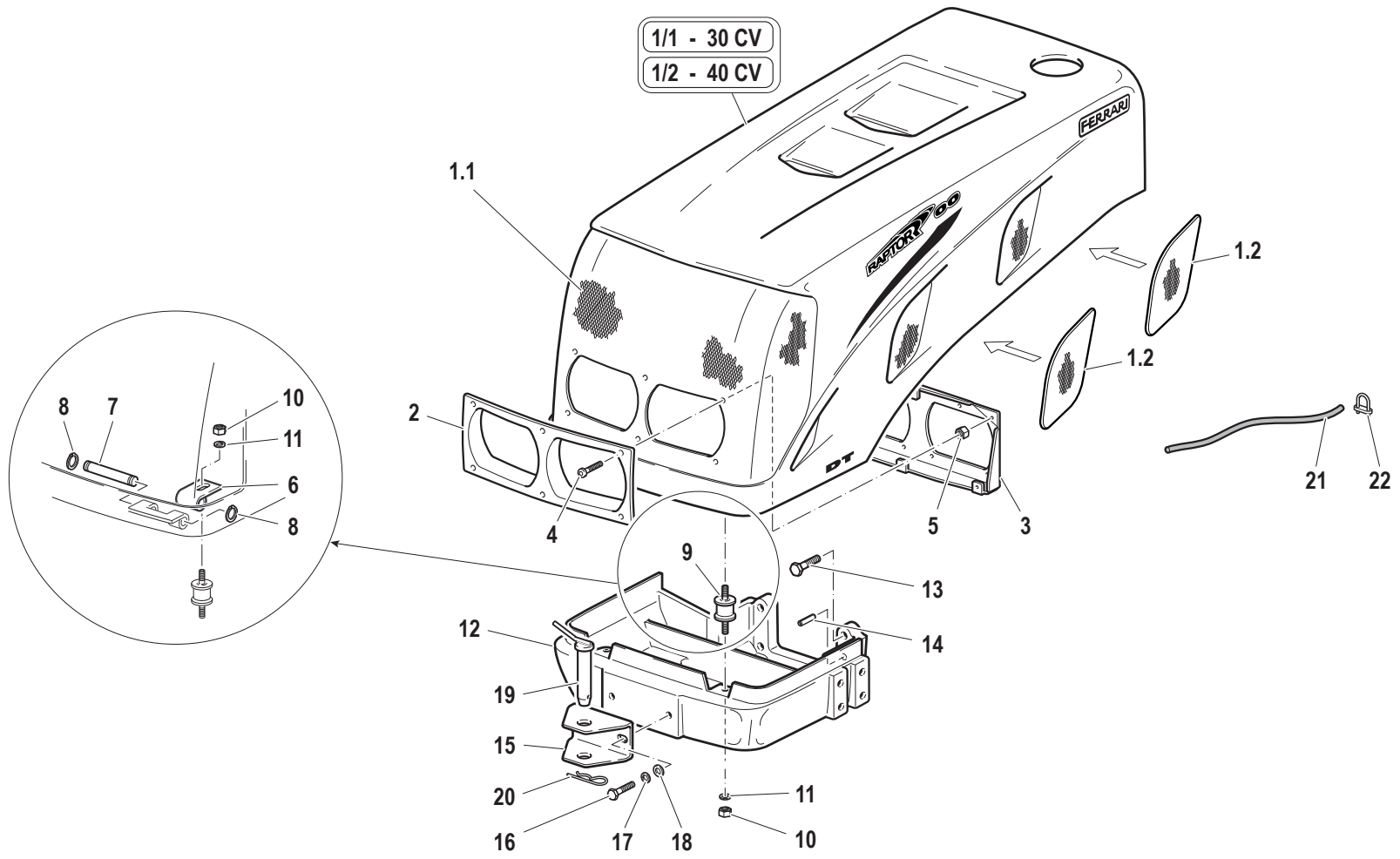


Pos.	Code	Q.ty	Description	Notes
1	58172996	1	AIR FILTER	
1.1	59900218	1	COVER	
1.2	59900220	1	VALVE	
1.3	59900219	1	FLOAT LEVEL	
1.4	59900217	1	GASKET	
1.5	58172999	1	CARTOUCHE	
2	56172998	1	PIPE	
3	P45372700000	1	CLAMP	
4	57371825	1	SOCKET	
5	55172997	1	SLEEVE	
6	56173013	1	RETAINER	
7	56172985	1	RETAINER	
8	31111097	1	SCREW TE M6X45 UNI 5737 8G	
9	31112082	1	SCREW TE M6X12 UNI 5739 8G	
10	F0843570000	1	WASHER 6	
11	56172993	1	SPACER	
12	F0817603100	1	CLAMP	

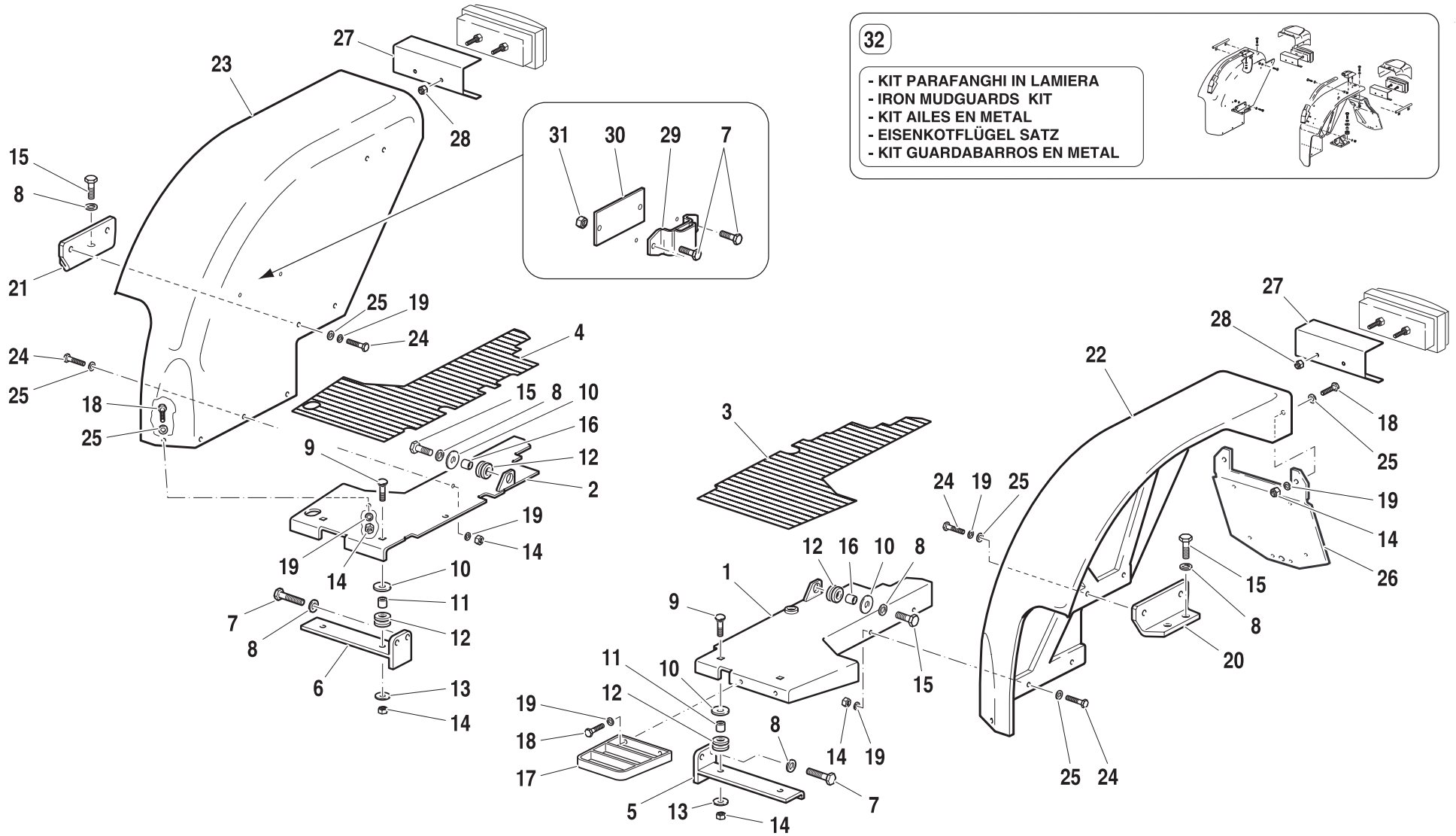


Pos.	Code	Q.ty	Description	Notes
1	55273328	1	FUEL TANK	
1.1	F0849500001	1	TANK COVER	
1.2	F0849500002	1	FILTER	
1.3	57174884	1	PIPE FITTING	
2	57371900	1	LINING	
3	58173187	1	CONTROL	
4	F0861867050	1	SCREW M4,2X19 DIN 7981	
5	59073326	1	TANK SUPPORT	
6	31112090	1	SCREW TE M6X16 UNI 5739 8G	
7	F0843570000	1	WASHER 6	
8	31111151	1	SCREW TE M8X16 UNI 5739 8G	
9	F0843643060	1	WASHER 8	
10	F0862944000	1	SCREW M8X60 UNI 5737	
11	59073327	1	SPACER	
12	58073237	1	PIPE	
13	P97917900000	1	CLAMP 10-16	
14	58074199	1	FLEXIBLE HOSE	
15	F0817505100	1	CLAMP	

1/1 - 30 CV
1/2 - 40 CV

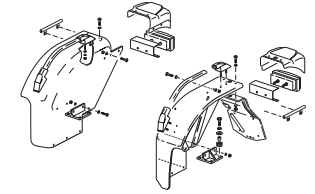


Pos.	Code	Q.ty	Description	Notes
1.1	56177693	1	FRONT GRILL	
1/1	59900287	1	COMPLETE HOOD	
1/2	59900288	1	COMPLETE HOOD	
1.2	56174427	1	FRONT GRILL	
2	57373097	1	FRONT GRILLE	
3	59073098	1	SUPPORT	
4	F0862479040	1	SCREW M6X20 7380	
5	F0814632000	1	NUT M10	
6	56071684	1	BRACKET	
7	56071681	1	HINGE PIN	
8	35211060	1	SEEGER RING E 6 UNI 7434	
9	F0849211010	1	SILENT-BLOCK	
10	F0814629010	1	NUT M10	
11	F0843755000	1	WASHER 10	
12	51175263	1	FRONT SUPPORT	
13	31112292	1	SCREW TE M12X50 UNI 5737	
14	56370228	1	CYLINDRICAL PLUG	
15	56174873	1	TOW HOOK	
16	31112272	1	SCREW TE M12X30 UNI 5739	
17	F0843843060	1	WASHER 12	
18	31411130	1	WASHER 13x24	
19	59075283	1	PIN	
20	F0851497000	1	SPLIT PIN	
21	F0252929002	1	CRATE	
22	F0859070030	1	TERMINAL	

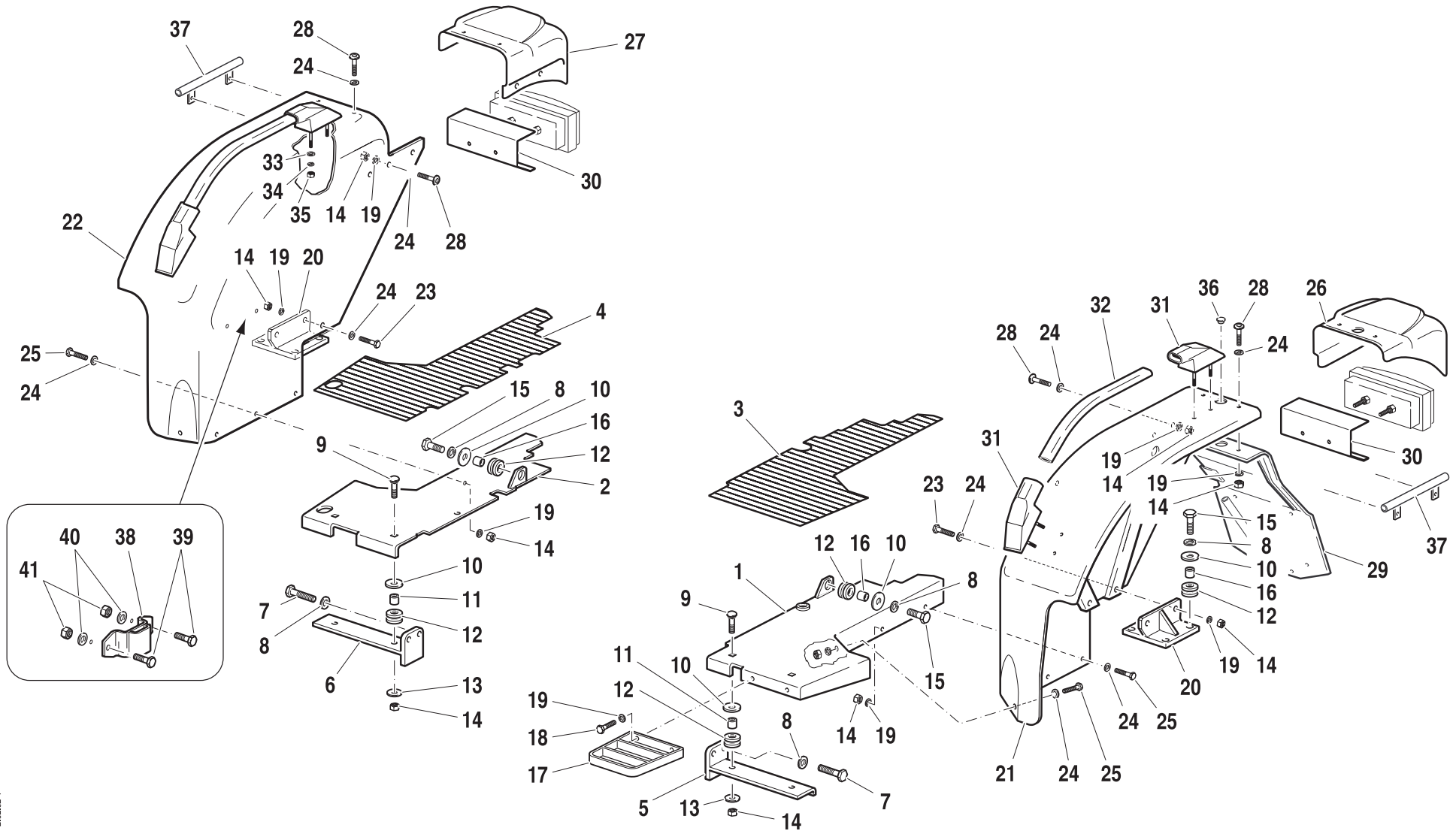


32

- KIT PARAFANGHI IN LAMIERA
- IRON MUDGUARDS KIT
- KIT AILES EN METAL
- EISENKOTFLÜGEL SATZ
- KIT GUARDABARROS EN METAL



Pos.	Code	Q.ty	Description	Notes
1	59073626	1	PEDAL	
2	59073625	1	PEDAL	
3	57374211	1	FOOTREST COVER	
4	57374212	1	FOOTREST COVER	
5	59073620	1	LEFT FOOTBOARD SUPPORT	
6	59073619	1	RIGHT FOOTBOARD SUPPORT	
7	31112219	1	SCREW TE M10X25 UNI 5739	
8	F0843755000	1	WASHER 10	
9	31122804	1	SCREW TTQ M8X30 UNI 5731	
10	F0843818000	1	WASHER 11x30/2,5	
11	56171996	1	SPACER	
12	55175174	1	BLOCK	
13	31411090	1	WASHER 9x24	
14	F0814574000	1	NUT M8	
15	31112211	1	SCREW TE M10X30 UNI 5739	
16	56171954	1	SPACER	
17	59073814	1	GUARD	
18	31111151	1	SCREW TE M8X16 UNI 5739 8G	
19	F0843643060	1	WASHER 8	
20	56173633	1	SUPPORT	
21	56173632	1	SUPPORT	
22	59071926	1	LEFT REAR FENDER	
23	59071927	1	RIGHT REAR FENDER	
24	31112151	1	SCREW TE M8X25 UNI 5739 8G	
25	31411084	1	WASHER 8,4x17	
26	59071937	1	PLATE HOLDER	
27	56171938	1	BRACKET	
28	31241051	1	SELFLOCK NUT M5	
29	59070592	1	LEVER BEARING	
30	56172129	1	BRACKET FASTENER	
31	F0814642020	1	SELFLOCK NUT M10	
32	59978053	1	KIT	



Pos.	Code	Q.ty	Description	Notes
1	59073626	1	PEDAL	
2	59073625	1	PEDAL	
3	57374211	1	FOOTREST COVER	
4	57374212	1	FOOTREST COVER	
5	59073620	1	LEFT FOOTBOARD SUPPORT	
6	59073619	1	RIGHT FOOTBOARD SUPPORT	
7	31112219	1	SCREW TE M10X25 UNI 5739	
8	F0843755000	1	WASHER 10	
9	31122804	1	SCREW TTQ M8X30 UNI 5731	
10	F0843818000	1	WASHER 11x30/2,5	
11	56171996	1	SPACER	
12	55175174	1	BLOCK	
13	31411090	1	WASHER 9x24	
14	F0814574000	1	NUT M8	
15	31112211	1	SCREW TE M10X30 UNI 5739	
16	56171954	1	SPACER	
17	59073814	1	GUARD	
18	31111151	1	SCREW TE M8X16 UNI 5739 8G	
19	F0843643060	1	WASHER 8	
20	59074248	1	FIXING BRACKET	
21	59074285V	1	LEFT REAR FENDER	
22	59074286V	1	RIGHT REAR FENDER	
23	31112151	1	SCREW TE M8X25 UNI 5739 8G	
24	31411084	1	WASHER 8,4x17	
25	31111151	1	SCREW TE M8X16 UNI 5739 8G	
26	57374133	1	SUPPORT	
27	57374134	1	SUPPORT	
28	F0862479030	1	SCREW M8X20 7380	
29	59075081	1	LICENCE PLATE HOLD	
30	56171938	1	BRACKET	
31	55072935	1	SUPPORT	
32	56174337	1	MUDGUARD HANDLE	
33	31411066	1	WASHER 6,6x18	
34	F0843570000	1	WASHER 6	

SERIAL

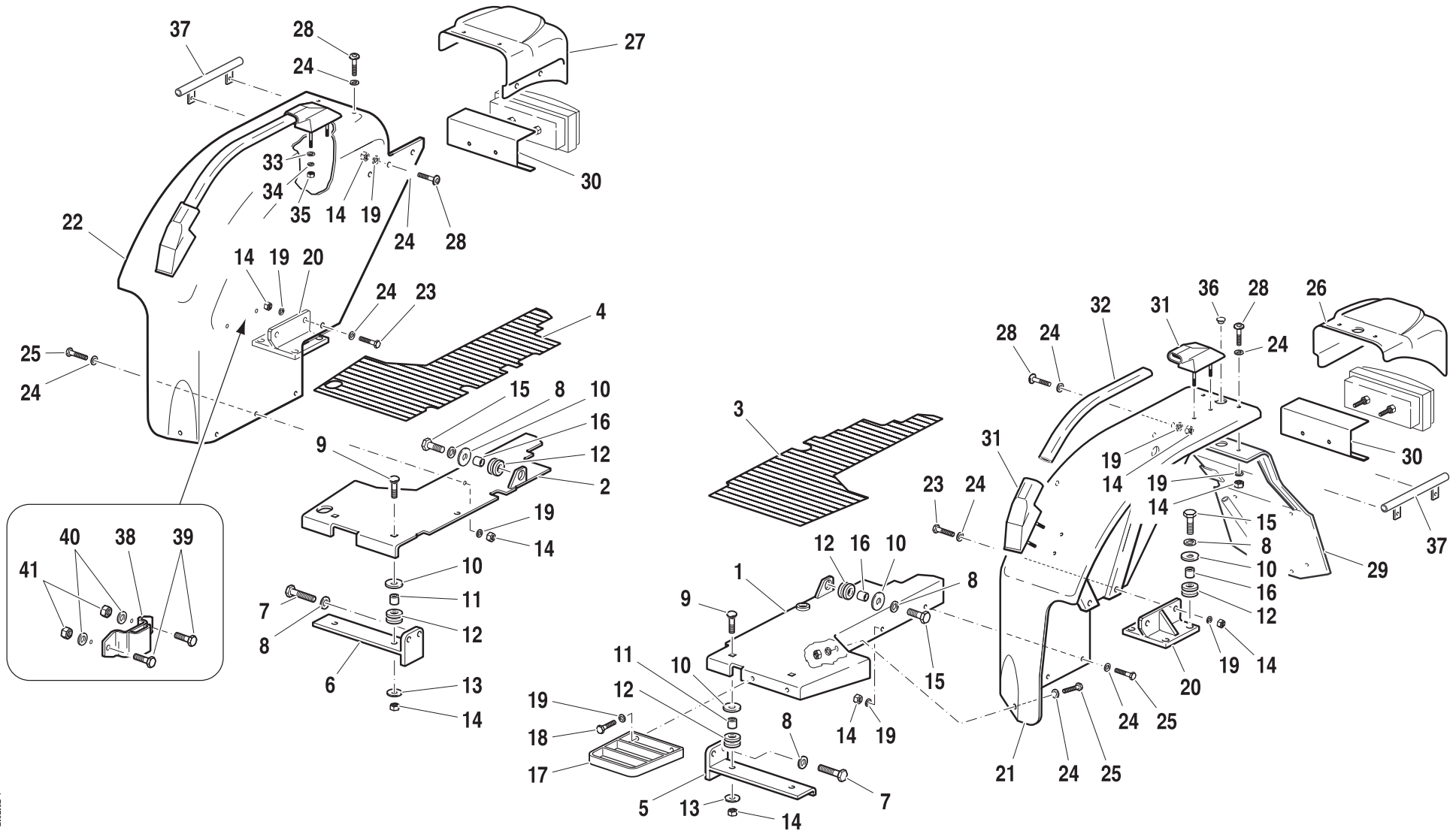
306194

MUD-GUARDS AND FLOOR BOARDS (IRON MUD-GUARDS)

Version: 30-40CV

CODE REV

B.02.01_2_20209



Pos.	Code	Q.ty	Description	Notes
35	31211060	1	NUT M6	
36	58170984	1	PLASTIC PLUG	
37	59074391	1	CABLE BARRIER RAIL	
38	59070592	1	LEVER BEARING	
39	31112208	1	SCREW TE M10X16 UNI 5739	
40	31411105	1	WASHER 10,5x21	
41	31212100	1	NUT M10	

SERIAL

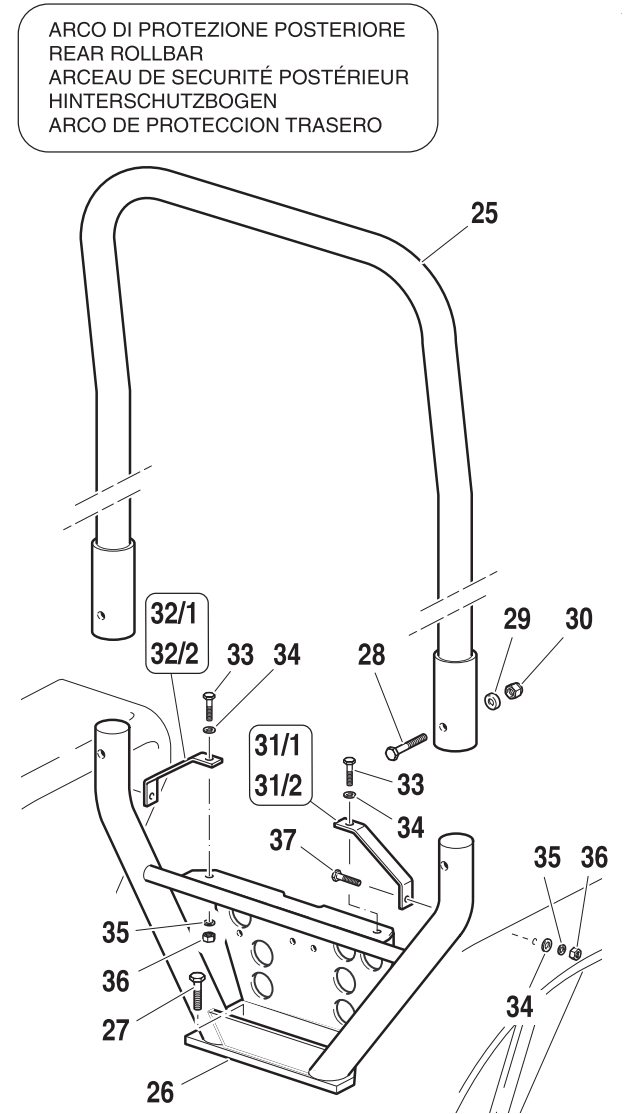
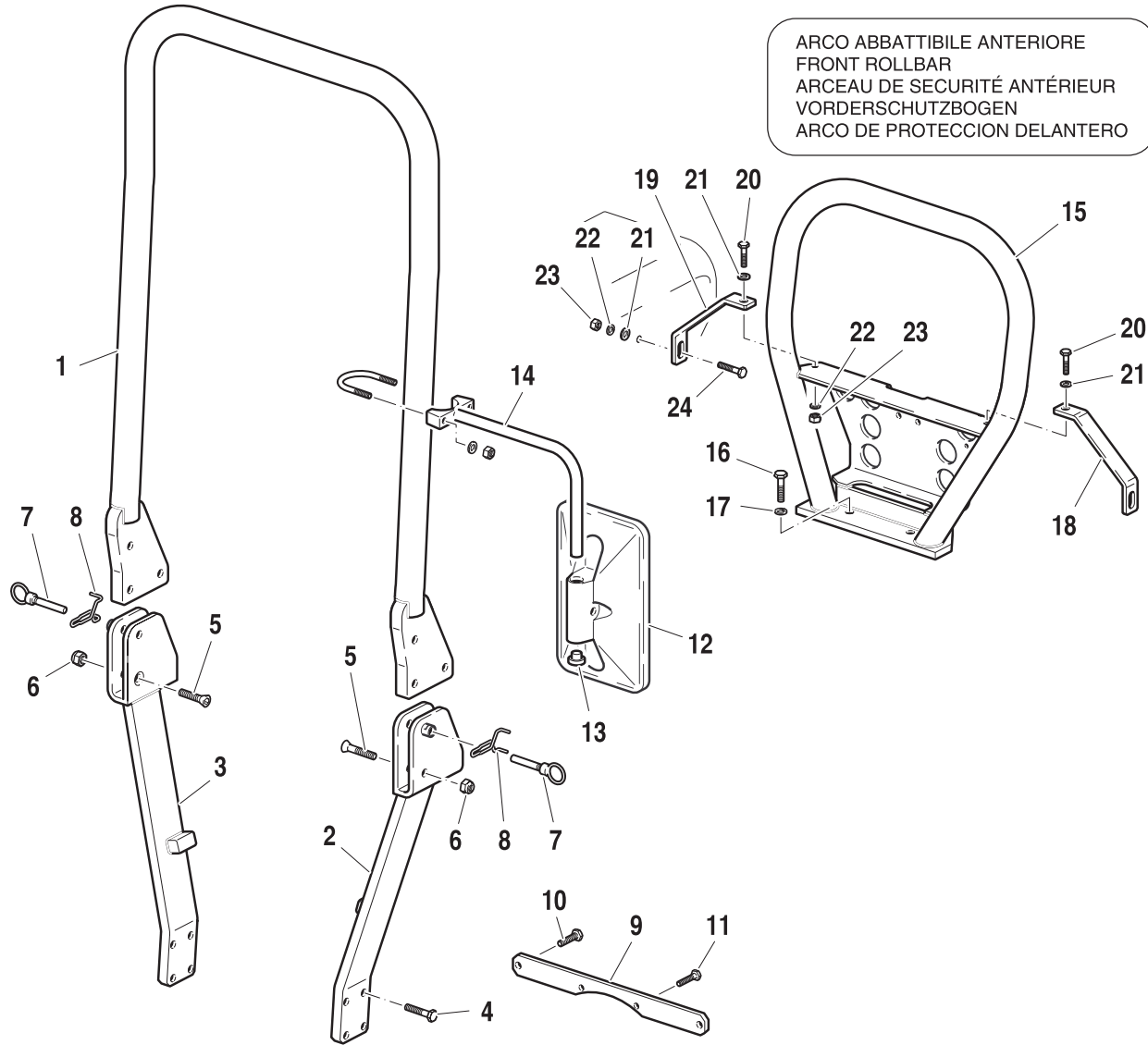
306194

MUD-GUARDS AND FLOOR BOARDS (IRON MUD-GUARDS)

Version: 30-40CV

CODE REV

B.02.01_2_20209



Pos.	Code	Q.ty	Description	Notes
1	59074144	1	SAFETY ROLL BAR	
2	59074142	1	SUPPORT	
3	59074143	1	SUPPORT	
4	F0863951050	1	SCREW M12x40 UNI 5737	
5	F0864309100	1	SCREW M14X60 UNI 5933	
6	31241140	1	SELFLOCK NUT M14	
7	56175540	1	HINGE PIN	
8	58070097	1	SPRING	
9	56174241	1	CROSS MEMBER	
10	31112272	1	SCREW TE M12X30 UNI 5739	
11	31112214	1	SCREW TE M10X45 UNI 5739	
12	30000514	1	REAR VIEW MIRROR	
13	58170968	1	PLUG	
14	59070591	1	SUPPORT	
15	59072114	1	SAFETY ROLL BAR	
16	31112264	1	SCREW TE M12X35 UNI 5739	
17	F0843843060	1	WASHER 12	
18	56174366	1	BRACKET	
19	56174365	1	BRACKET	
20	31112152	1	SCREW TE M8X30 UNI 5739 8G	
21	31411084	1	WASHER 8,4x17	
22	F0843643060	1	WASHER 8	
23	F0814574000	1	NUT M8	
24	31112150	1	SCREW TE M8X20 UNI 5739 8G	
25	59072945	1	SAFETY ROLL BAR	
26	59072940	1	SUPPORT	
27	31112254	1	SCREW TE M12X30UNI5739	
28	31112293	1	SCREW TE M12X80 UNI 5737	
29	56172964	1	SPACER	
30	58170634	1	SELFLOCK NUT M12	
31/1	56173862	1	CONNECTION	
31/2	56174379	1	CONNECTION	
32/1	56173863	1	CONNECTION	
32/2	56174454	1	CONNECTION	

SERIAL

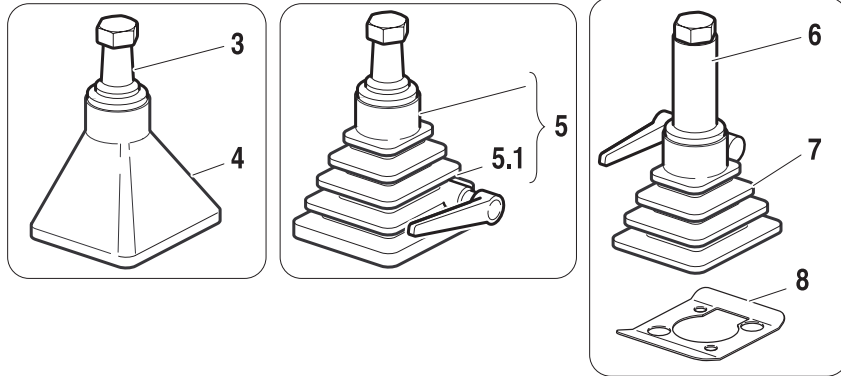
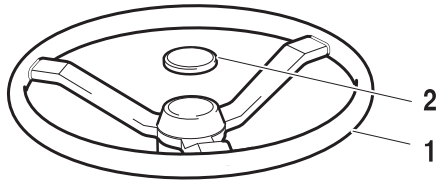
ROLLBARS
Version: 30-40CV

CODE REV

B.03.01_1_20251

Pos.	Code	Q.ty	Description	Notes
33	31112152	1	SCREW TE M8X30 UNI 5739 8G	
34	31411084	1	WASHER 8,4x17	
35	F0843643060	1	WASHER 8	
36	F0814574000	1	NUT M8	
37	31112150	1	SCREW TE M8X20 UNI 5739 8G	

Pos.	Code	Q.ty	Description	Notes
1	58073549	1	DECAL	
2	58073548	1	DECAL	
3/1	58073572	1	DECAL	
3/2	58073573	1	DECAL	
4	58073574	1	DECAL	
5	58073554	1	DECAL	
6/1	58074122	1	PLATE	
6/2	58074564	1	PLATE	
7	58074223	1	DECAL	
8	58074220	1	DECAL	
9	58074222	1	DECAL	
10	58072737	1	PLATE	
11	F0808518050	1	RIVET 3,5x6,5	
12	58072517	1	INSTRUCTION PLATE	
13	58072511	1	INSTRUCTION PLATE	
14	58072510	1	INSTRUCTION PLATE	
15	58072520	1	INSTRUCTION PLATE	
16	58076077	1	DECAL	
17	58076020	1	DECAL	
18	58072575	1	PLATE	
19	58073857	1	PLATE	
20	58073858	1	PLATE	
21	F0907170111	1	TECHN. MANUAL RAPTOR	

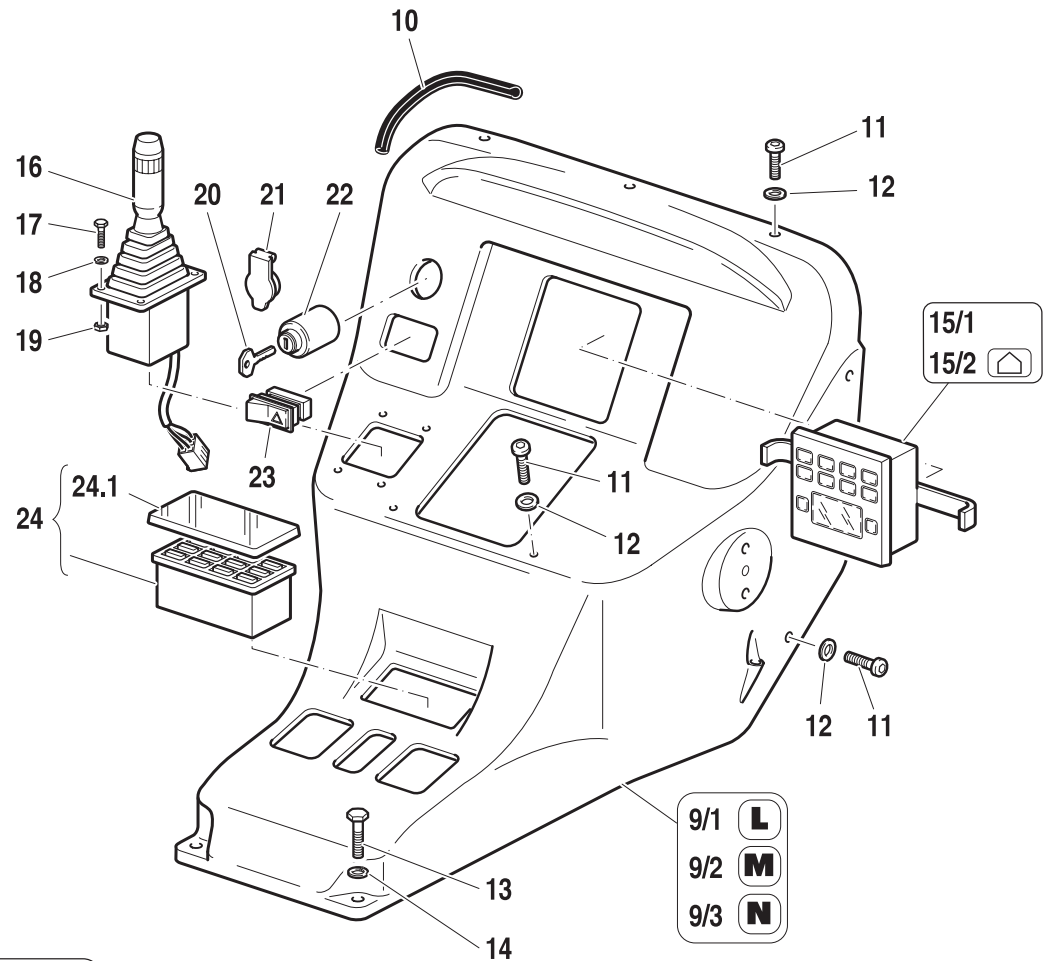


- L**
- SOLLEVATORE IDRAULICO (ALZA / ABBASSA)
 - HYDRAULIC LIFT (RAISE / LOWER)
 - RÉLÈVEUR HYDRAULIQUE (RELEVÉE / ABAISSÉE)
 - HYDRAULISCHE HEBER (HEBEN / SENKEN)
 - ELEVADOR HIDRAULICO (ELEVAR / BAJAR)

- M**
- SOLLEVATORE POS. / SFORZO CONTROLLATI
 - POSITION AND DRAFT CONTROL LIFT
 - RÉLEVAGE À CONTRÔLE DE POSITION ET D'EFFORT
 - KRAFTHEBER MIT ZUGKRAFT U. LAGEREGELUNG
 - ELEVADOR CON POSICION Y ESFUERZO CONTROL.

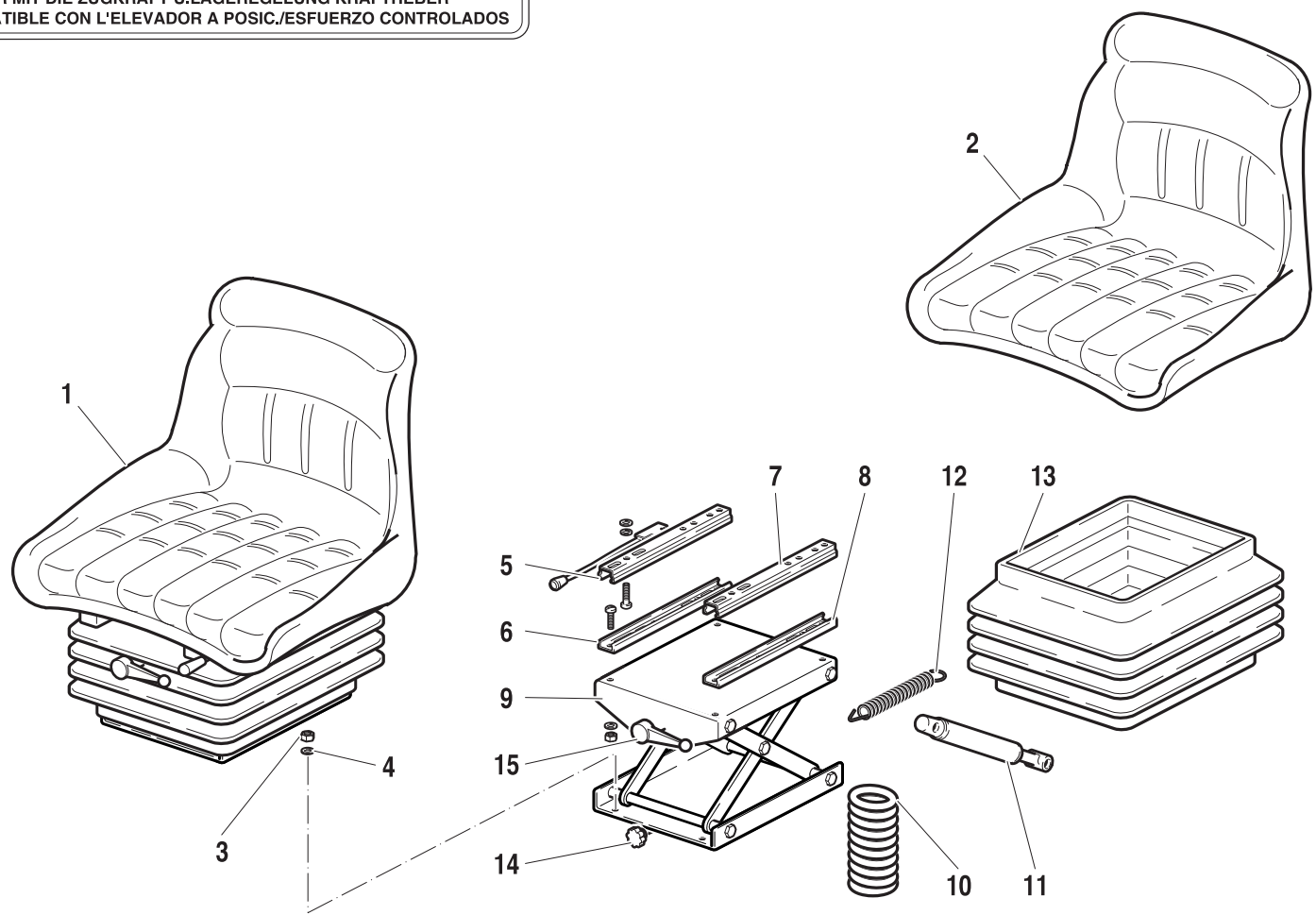
- N**
- SOLLEVATORE A CONTROLLO ELETTRONICO
 - ELECTRONIC CONTROL LIFT
 - RÉLÈVEUR À COMMANDE ÉLECTRONIQUE
 - ELEKTRONISCHE HEBER
 - ELEVADOR CON CONTROL ELECTRONICO

-
- VERSIONE CON CABINA
 - CAB VERSION
 - VERSION AVEC CABINE
 - KABINENAUSFÜHRUNG
 - VERSION CON CABINA

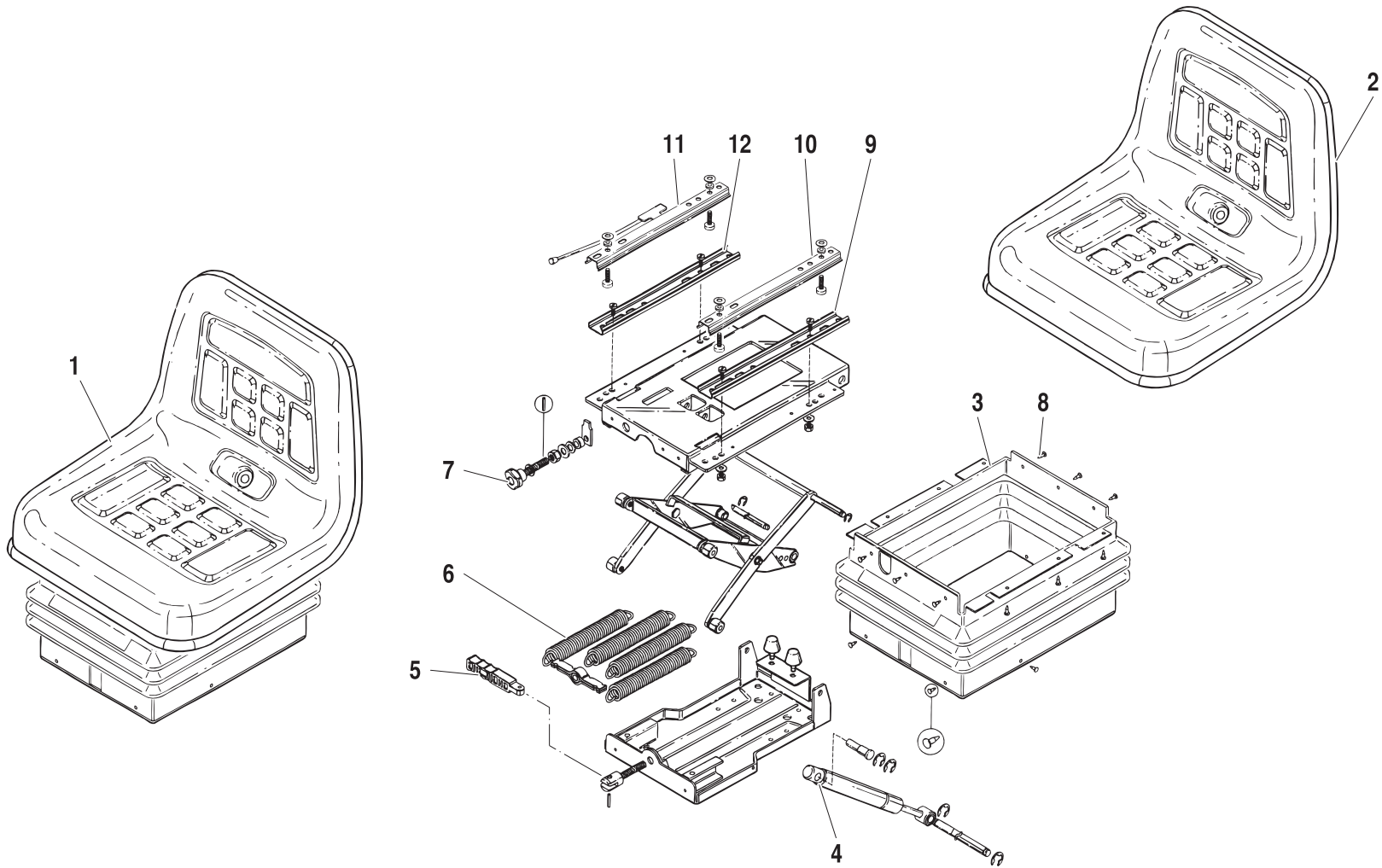


Pos.	Code	Q.ty	Description	Notes
1	F0865040000	1	STEERING WHEEL	
2	F0865040010	1	PLUG	
3	F0865475000	1	SMALL COLUMN	
4	57372600	1	COVER	
5	F0865474000	1	UNIT	
5.1	F0865474005	1	BELLOWS	
6	P23810301000	1	SMALL COLUMN	
7	P23810500000	1	BELLOWS	
8	56176050	1	FRONT GRILLE	
9/1	57374197	1	INSTRUMENT PANEL	
9/2	57375621	1	INSTRUMENT PANEL	
9/3	57374245	1	INSTRUMENT PANEL	
10	F0256809010	1	GASKET	
11	F0862479035	1	SCREW M6X16 7380	
12	F0843578010	1	WASHER 6,4x11/1,6	
13	31112151	1	SCREW TE M8X25 UNI 5739 8G	
14	31411084	1	WASHER 8,4x17	
15/1	58173108	1	GAUGE	
15/2	58175950	1	GAUGE	
16	58173345	1	STEERING COLUMN SWITCH UNIT	
17	31111084	1	SCREW TE M4X16 UNI 5739 8G	
18	F0843526000	1	WASHER 4,3x12/1,5	
19	31211040	1	NUT M4	
20	58045806	1	KEY	
21	F0825400060	1	COVER	
22	58073566	1	PANEL	
23	F0825115010	1	PUSH-BUTTON	
24	58170453	1	FUSE BOX	
24.1	58172267	1	COVER	

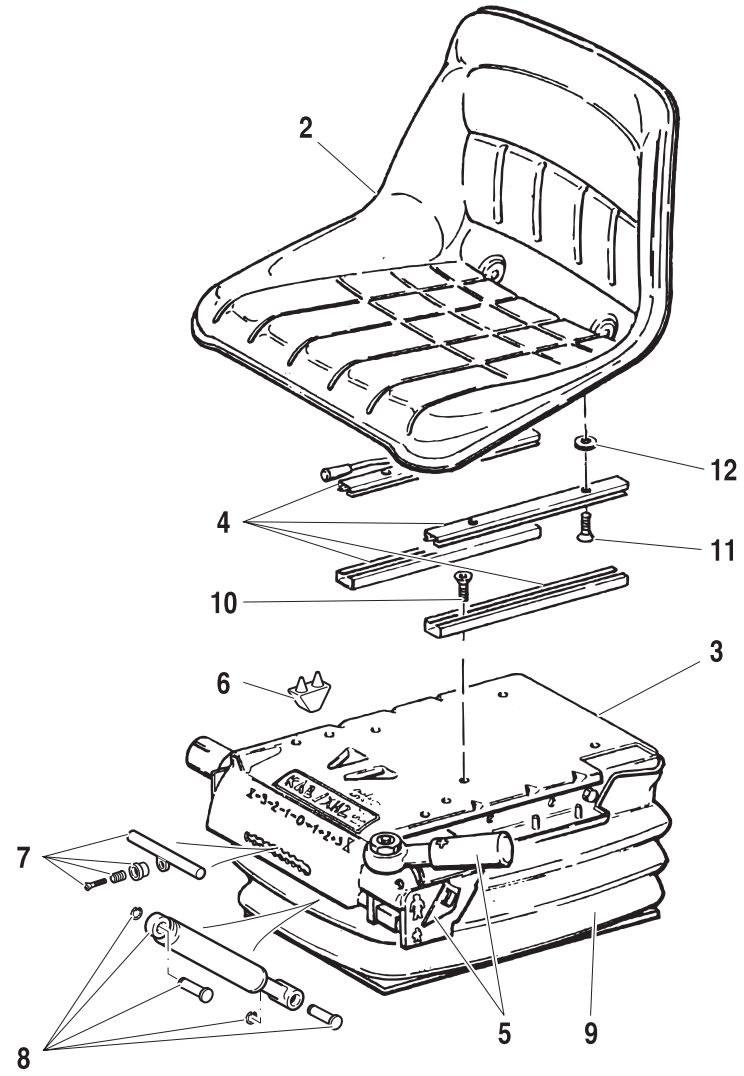
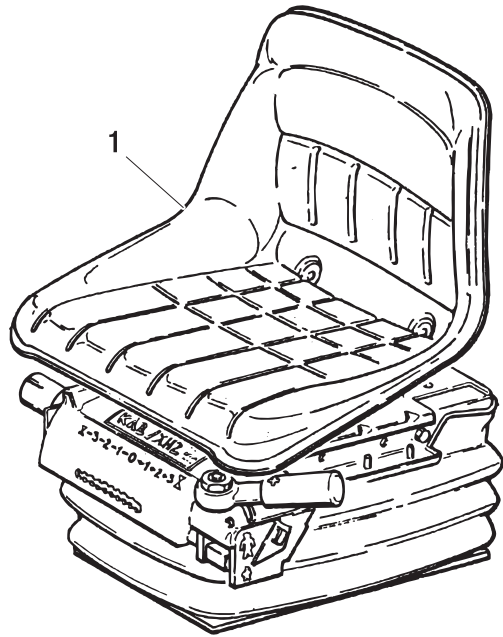
- SEDILE NON COMPATIBILE CON IL SOLLEVATORE POSIZ./SFORZO CONTROLLATI
- SEAT NOT COMPATIBLE WITH THE POSITION/DRAFT CONTROL LIFT
- SIÈGE INCOMPATIBLE AVEC LE RELEVEUR À POSITION/EFFORT CONTRÔLÉS
- SITZ UNVEREINBAR MIT DIE ZUGKRAFT U.LAGEREGELUNG KRAFTHEBER
- ASIENTO INCOMPATIBLE CON L'ELEVADOR A POSIC./ESFUERZO CONTROLADOS



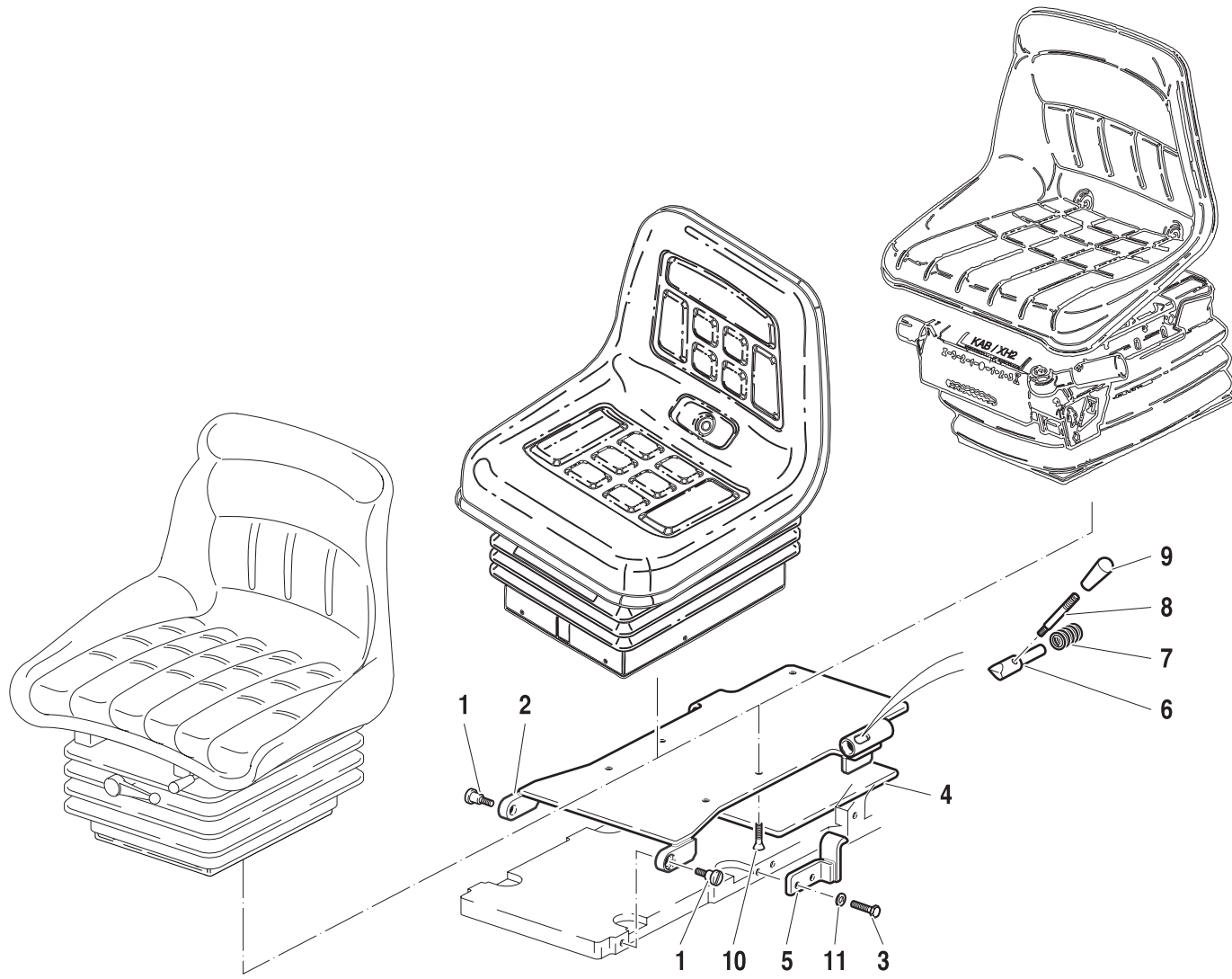
Pos.	Code	Q.ty	Description	Notes
1	58170440	1	SEAT	
2	59900171	1	SEAT CAVITY	
3	F0814569000	1	NUT M8 UNI 5589 CL:8	
4	31411084	1	WASHER 8,4x17	
5	59900172	1	GUIDE	
6	59900173	1	GUIDE	
7	59900174	1	GUIDE	
8	59900175	1	GUIDE	
9	59900163	1	SPRING	
10	59900168	1	SPRING	
11	59900169	1	SHOCKS ABSORBER	
12	59900167	1	SPRING	
13	59900170	1	BELLOWS	
14	59900166	1	HAND WHEEL	
15	59900165	1	LEVER	



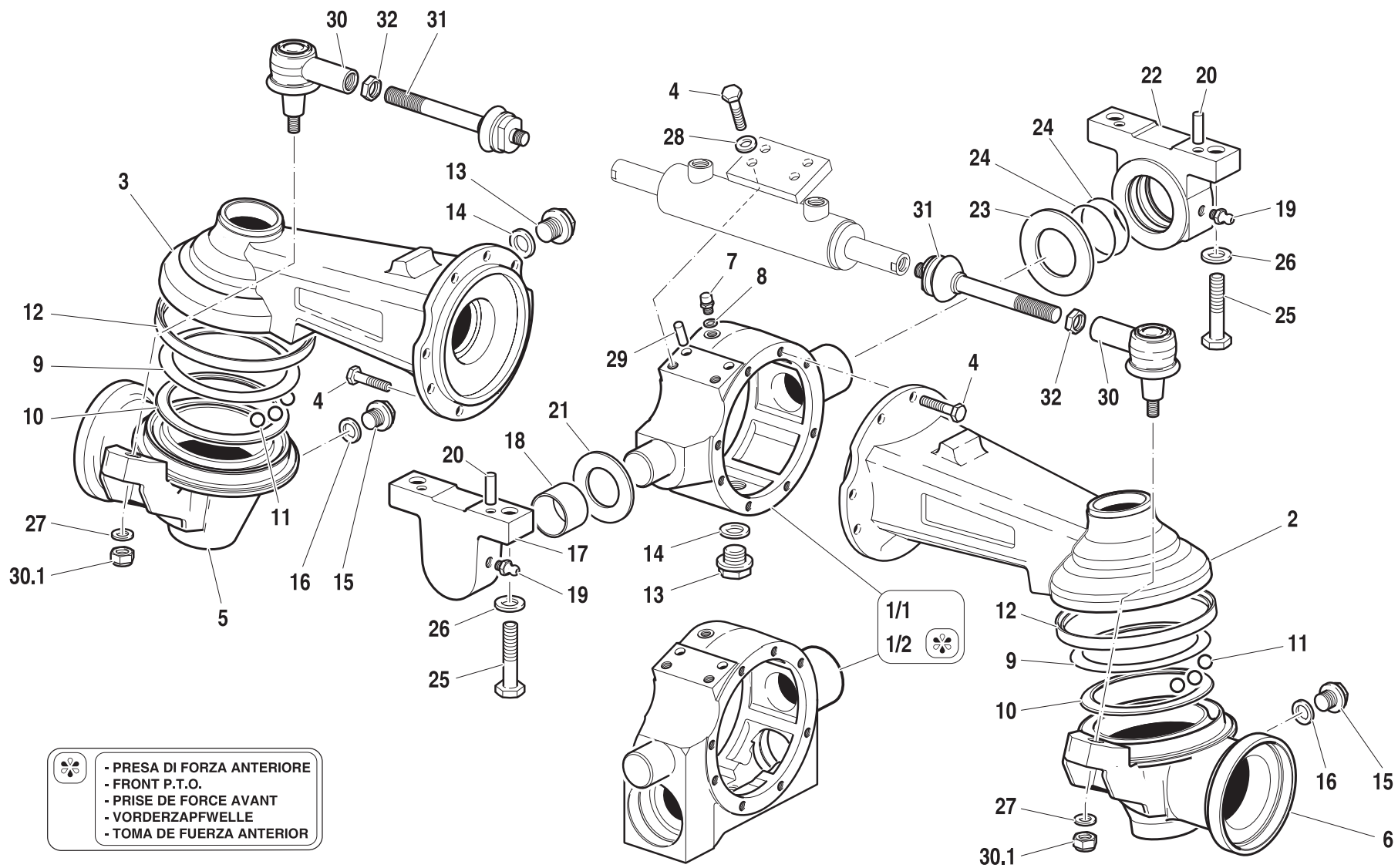
Pos.	Code	Q.ty	Description	Notes
1	58170995	1	SEAT	
2	59900162	1	SEAT CAVITY	
3	59900159	1	BELLOWS	
4	59900156	1	SHOCKS ABSORBER	
5	59900155	1	LEVER	
6	59900154	1	SPRING	
7	59900153	1	KNOB	
8	59900158	1	SCREW	
9	59900157	1	LOWER GUIDE	
10	59900160	1	GUIDE	
11	59900161	1	GUIDE	
12	59900152	1	LOWER GUIDE	



Pos.	Code	Q.ty	Description	Notes
1	59900199	1	SEAT	
2	F0150036216	1	SEAT CAVITY	
3	F0150036219	1	SPRING	
4	58173437	1	SEAT GUIDE	
5	59900183	1	CONTROL	
6	59900184	1	SPRINGS LIMITER	
7	59900185	1	CONTROL	
8	59900186	1	SHOCKS ABSORBER	
9	59900187	1	BELLOWS	
10	31111151	1	SCREW TE M8X16 UNI 5739 8G	
11	F0862495010	1	SCREW M8X16 UNI 5931	
12	F0843696000	1	WASHER D.24x8/6	



Pos.	Code	Q.ty	Description	Notes
1	F0010001078	1	PIN	
2	59071743	1	PLATE	
3	31112090	1	SCREW TE M6X16 UNI 5739 8G	
4	57370321	1	RUBBER	
5	59071745	1	BRACKET	
6	56371222	1	LOCKING BOLT	
7	58070390	1	SEAT SPRINGS	
8	56171237	1	HINGE PIN	
9	F0837521000	1	GRIP	
10	F0862481000	1	SCREW M8x16 UNI 5933	
11	F0843570000	1	WASHER 6	



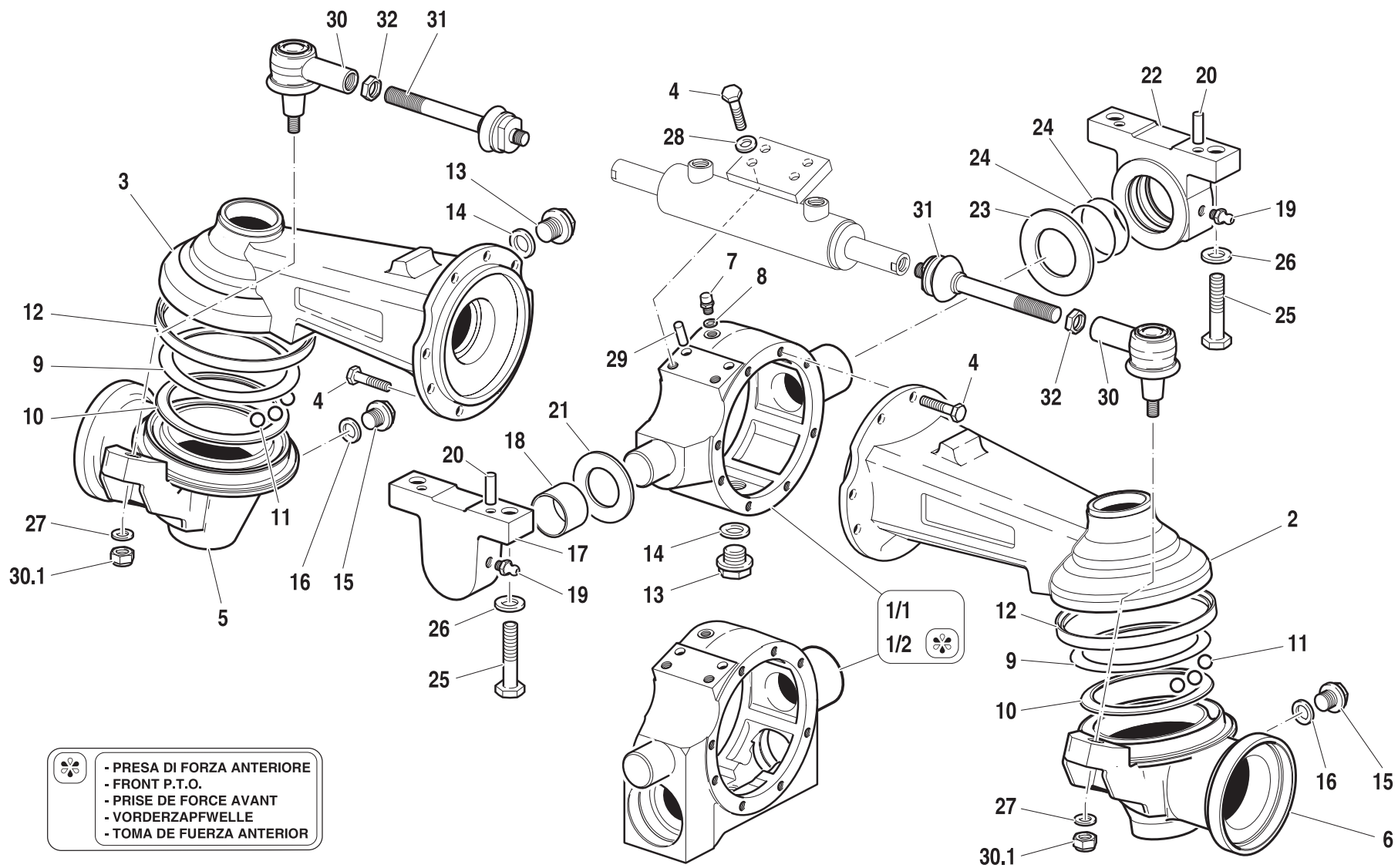
Pos.	Code	Q.ty	Description	Notes
1/1	51173455	1	FRONT AXLE HOUSING	
1/2	51175172	1	FRONT AXLE HOUSING	
2	51173597	1	FRONT AXLE HOUSING	
3	51173598	1	FRONT AXLE HOUSING	
4	31112211	1	SCREW TE M10X30 UNI 5739	
5	51273590	1	BOX	
6	51273591	1	BOX	
7	F0852517000	1	PLUG	
8	F0843771000	1	COPPER WASHER 10,0x16/1	
9	F0150023162	1	HOUSING	
10	F0150023163	1	HOUSING	
11	F0847462000	1	BALL RB-11.112	
12	F0802800050	1	RING 142X157/10	
13	56370081	1	PLUG	
14	F0844273090	1	GASKET 22X28X1,5 CU 99,5	
15	F0852578050	1	PLUG	
16	F0824110000	1	COPPER WASHER 3/8 GAS	
17	51173581	1	FRONT SUPPORT	
18	58073481	1	REINFORCING SLEEVE	
19	F0826056000	1	LUBRICATOR M10 UNI 7663A	
20	56370228	1	CYLINDRICAL PLUG	
21	56473479	1	SHIM	
22	51173508	1	SUPPORT	
23	56473482	1	SHIM	
24	F0803210020	1	O-RING 3256	
25	F0864346050	1	SCREW M16X45 UNI 5739	
26	F0844030000	1	WASHER 16	
27	31411150	1	WASHER 15x28	
28	F0843755000	1	WASHER 10	
29	58073629	1	PIN	
30	58173470	1	JOINT	
30.1	31241122	1	SELFLOCK NUT M12x1,25	
31	58173471	1	JOINT	
32	F0814785070	1	NUT M16X1,5	

SERIAL

FRONT AXLE
Version: 30-40CV

CODE REV

C.01.01_1_20399



Pos.	Code	Q.ty	Description	Notes
1/1	51173455	0	FRONT AXLE HOUSING	
1/2	51175172	0	FRONT AXLE HOUSING	
2	51176280	1	FRONT AXLE HOUSING	
3	51176281	1	FRONT AXLE HOUSING	
4	31112211	0	SCREW TE M10X30 UNI 5739	
5	51276282	1	BOX	
6	51276283	1	BOX	
7	F0852517000	0	PLUG	
8	F0843771000	0	COPPER WASHER 10,0x16/1	
9	F0150023162	0	HOUSING	
10	F0150023163	0	HOUSING	
11	F0847462000	0	BALL RB-11.112	
12	F0802800030	1	SEAL 140X160X10	
13	56370081	0	PLUG	
14	F0844273090	0	GASKET 22X28X1,5 CU 99,5	
15	F0852578050	0	PLUG	
16	F0824110000	0	COPPER WASHER 3/8 GAS	
17	51173581	0	FRONT SUPPORT	
18	58073481	0	REINFORCING SLEEVE	
19	F0826056000	0	LUBRICATOR M10 UNI 7663A	
20	56370228	0	CYLINDRICAL PLUG	
21	56473479	0	SHIM	
22	51173508	0	SUPPORT	
23	56473482	0	SHIM	
24	F0803210020	0	O-RING 3256	
25	F0864346050	0	SCREW M16X45 UNI 5739	
26	F0844030000	0	WASHER 16	
27	31411150	0	WASHER 15x28	
28	F0843755000	0	WASHER 10	
29	58073629	0	PIN	
30	58173470	0	JOINT	
30.1	31241122	0	SELFLOCK NUT M12x1,25	
31	58173471	0	JOINT	
32	F0814785070	0	NUT M16X1,5	

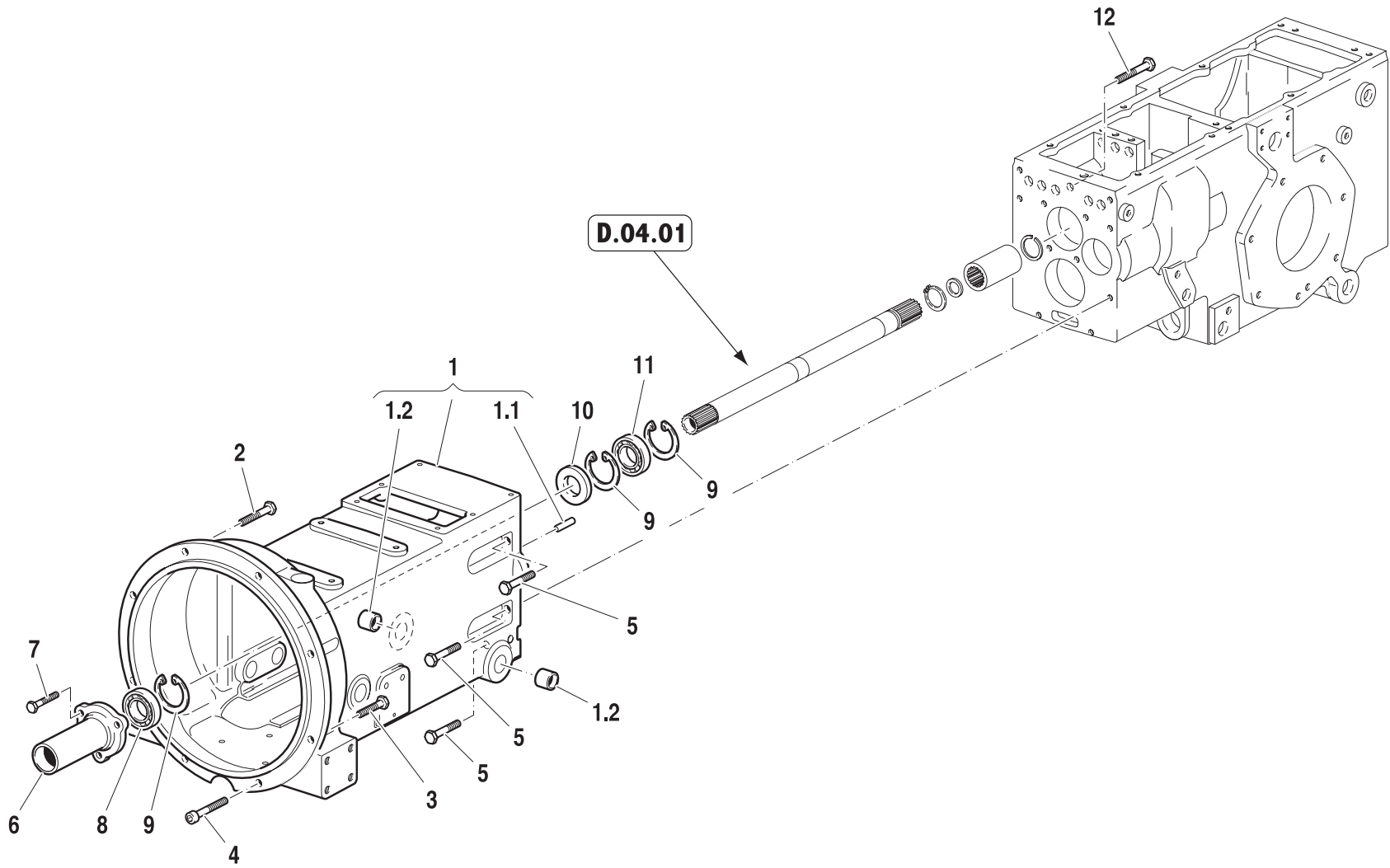
SERIAL

903717

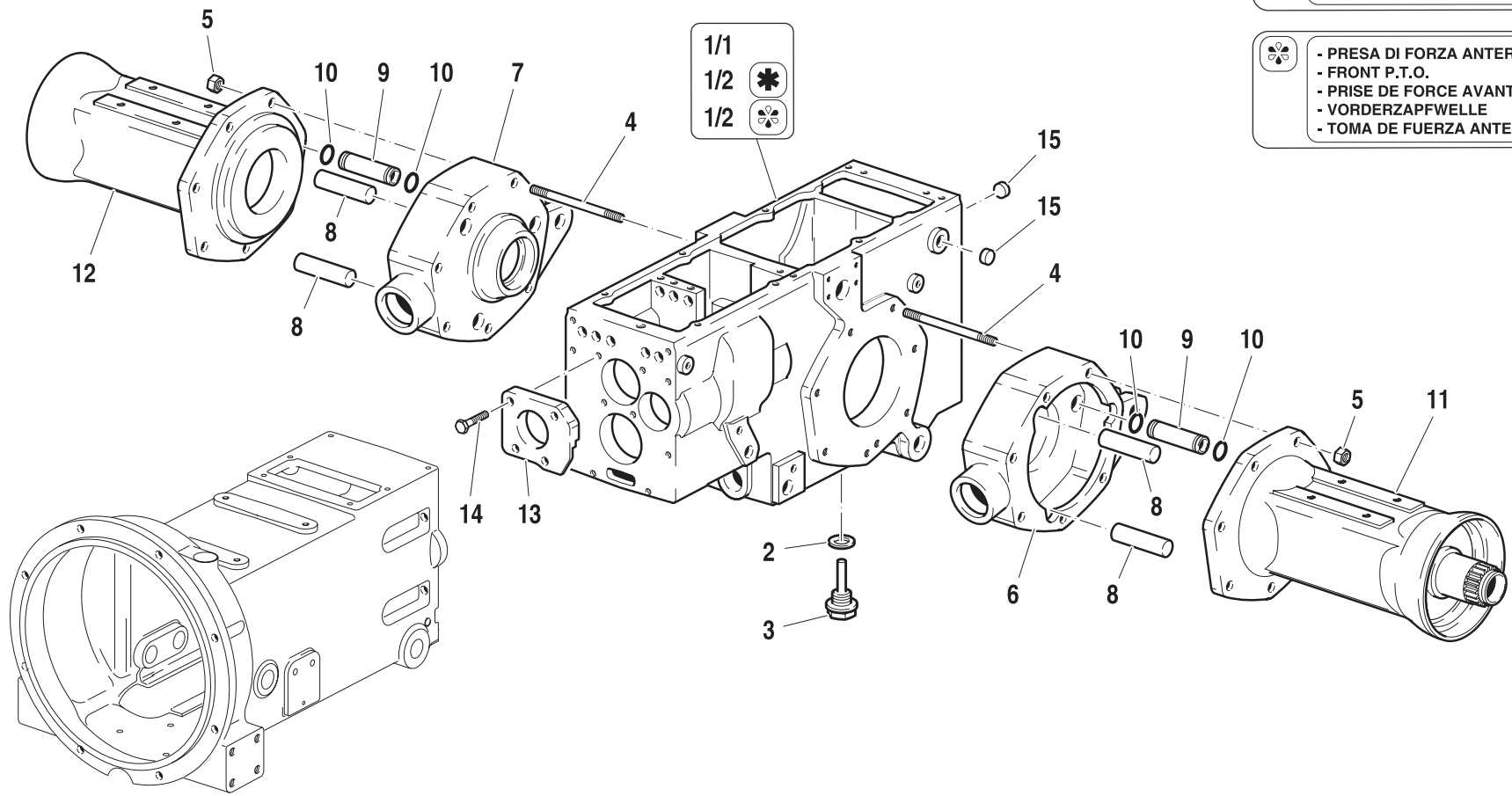
FRONT AXLE
Version: 30-40CV

CODE REV

C.01.01_2_22204



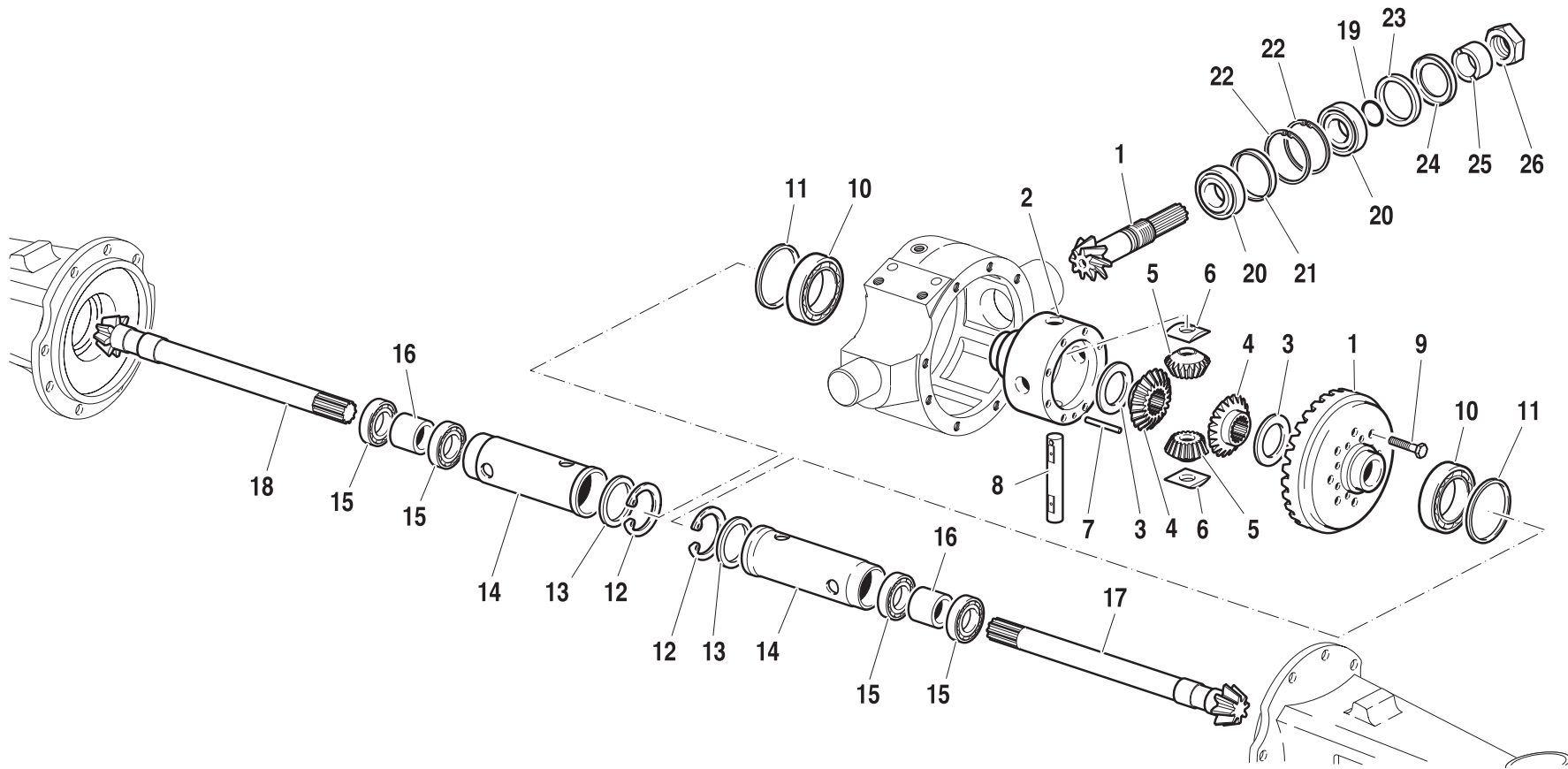
Pos.	Code	Q.ty	Description	Notes
1	59276276	1	CLUTCH HOUSING	
1.1	56370228	1	CYLINDRICAL PLUG	
1.2	58071793	1	BUSHING	
2	31112214	1	SCREW TE M10X45 UNI 5739	
3	31112211	1	SCREW TE M10X30 UNI 5739	
4	31152101	1	SCREW TCEI M10X45 UNI 5931 8G	
5	F0863328000	1	SCREW M10X35 UNI 5737	
6	51173478	1	SLEEVE	
7	F0862694000	1	SCREW M8X170 UNI 5737	
8	37112230	1	BEARING	
9	35111055	1	SEEGER RING I 55 DIN 472	
10	F0802124000	1	SEAL 30x55/10	
11	F0812745000	1	BEARING 6006 (30x55x13)	
12	F0863359000	1	SCREW M10X40 UNI 5737	



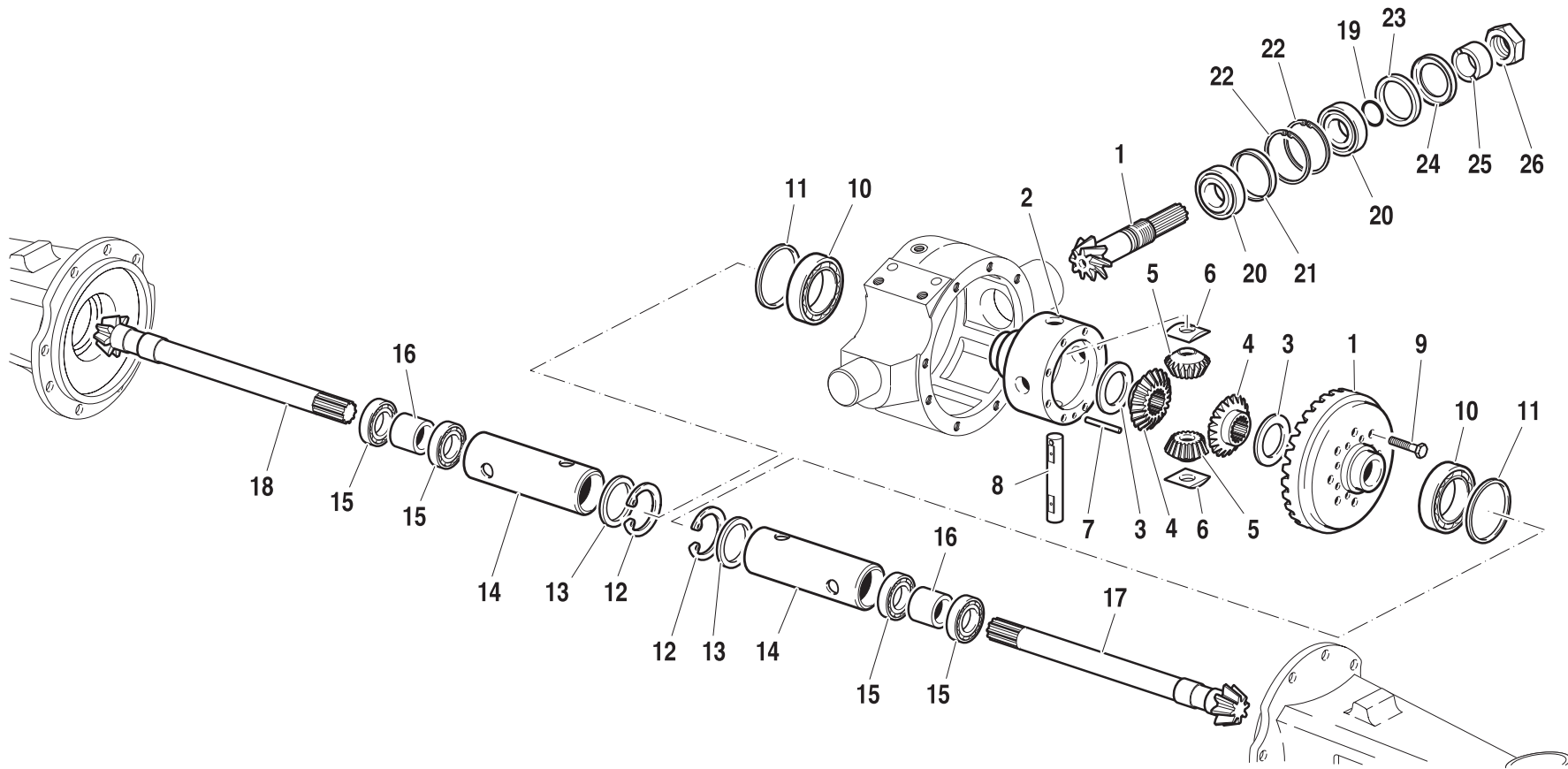
- PRESA DI FORZA VENTRALE
 - UNDER BELLY P.T.O.
 - PRISE DE FORCE VENTRALE
 - INNERE ZAPFWELLE
 - TOMA DE FUERZA VENTRAL

- PRESA DI FORZA ANTERIORE
 - FRONT P.T.O.
 - PRISE DE FORCE AVANT
 - VORDERZAPFWELLE
 - TOMA DE FUERZA ANTERIOR

Pos.	Code	Q.ty	Description	Notes
1/1	51173459	1	GEAR BOX	
1/2	51174121	1	GEAR BOX	
2	F0844273090	1	GASKET 22X28X1,5 CU 99,5	
3	58170021	1	PLUG	
4	F0838660000	1	STUD BOLT M12X105 UNI 5911-66	
5	F0814695000	1	NUT M12	
6	51171603	1	BRAKE HOUSING	
7	51171604	1	BRAKE HOUSING	
8	56371606	1	PIN	
9	56371605	1	PIN	
10	F0803186000	1	O-RING 123	
11	51172601	1	REDUCTION BOX	
12	51172602	1	REDUCTION BOX	
13	51173816	1	FRONT COVER	
14	31112219	1	SCREW TE M10X25 UNI 5739	
15	56173016	1	PLUG	



Pos.	Code	Q.ty	Description	Notes
1	59373532	1	BEVEL GEAR	
2	52373530	1	HOUSING	
3	F0490290064	1	THRUST PLATE	
4	F0150023096	1	CROWN WHEEL Z=16	
5	F0490287042	1	PLANETARY GEAR	
6	F0490289027	1	THRUST PLATE	
7	56371994	1	PIN	
8	56473513	1	PIN	
9	F0862654000	1	SCREW M8X1,25/25	
10	37111390	1	BEARING	
11	56371582	1	RING	
11	56371583	1	RING	
11	56371584	1	RING	
11	56371585	1	RING	
11	56371586	1	RING	
12	F0801368010	1	SEEGER RING I 52 UNI 7438	
13	F0850100000	1	SHIM 41x51/0,2	
13	F0850100005	1	SHIM 40,2x51,8/1	
13	F0850100010	1	SHIM 41x51/0,3	
13	F0850100020	1	SHIM 41x51/0,5	
14	56173383	1	SPACER	
15	F0812698000	1	BEARING 6005	
16	F0150023201	1	SPACER 35X25,1/30	
17	52473394	1	AXLE SHAFT	
18	52473395	1	AXLE SHAFT	
19	F0803195000	1	O-RING 3081	
20	F0812705000	1	BEARING 32005	
21	F0844525000	1	SPACER D.47x38,3/4	
22	F0801342005	1	SEEGER RING I 47 UNI 7438	
23	F0802186000	1	SEAL 40x55/8	
24	52173317	1	PROTECTIVE RING D=55	
25	56473528	1	SPACER	
26	56373568	1	RING NUT	



Pos.	Code	Q.ty	Description	Notes
1	59373532	0	BEVEL GEAR	
2	52373530	0	HOUSING	
3	F0490290064	0	THRUST PLATE	
4	F0150023096	0	CROWN WHEEL Z=16	
5	F0490287042	0	PLANETARY GEAR	
6	F0490289027	0	THRUST PLATE	
7	56371994	0	PIN	
8	56473513	0	PIN	
9	F0862654000	0	SCREW M8X1,25/25	
10	37111390	0	BEARING	
11	56371582	0	RING	
11	56371583	0	RING	
11	56371584	0	RING	
11	56371585	0	RING	
11	56371586	0	RING	
12	F0801368010	0	SEEGER RING I 52 UNI 7438	
13	F0850100000	0	SHIM 41x51/0,2	
13	F0850100005	0	SHIM 40,2x51,8/1	
13	F0850100010	0	SHIM 41x51/0,3	
13	F0850100020	0	SHIM 41x51/0,5	
14	56176279	1	SPACER	
15	37111255	1	BEARING	
16	56176278	1	SPACER	
17	52473394	0	AXLE SHAFT	
18	52473395	0	AXLE SHAFT	
19	F0803195000	0	O-RING 3081	
20	F0812705000	0	BEARING 32005	
21	F0844525000	0	SPACER D.47x38,3/4	
22	F0801342005	0	SEEGER RING I 47 UNI 7438	
23	F0802186000	0	SEAL 40x55/8	
24	52173317	0	PROTECTIVE RING D=55	
25	56473528	0	SPACER	
26	56373568	0	RING NUT	

SERIAL

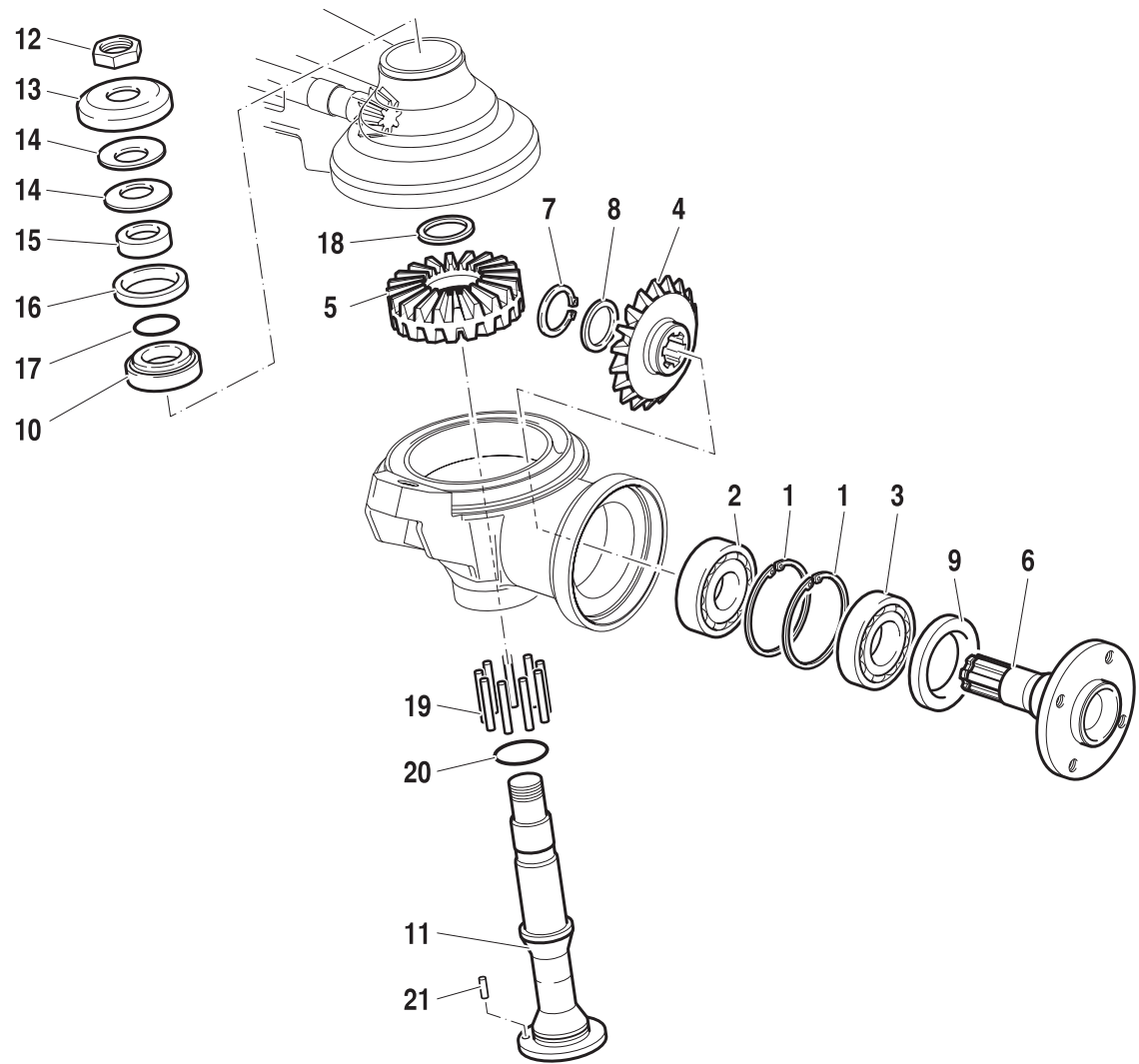
903717

FRONT TRANSMISSION

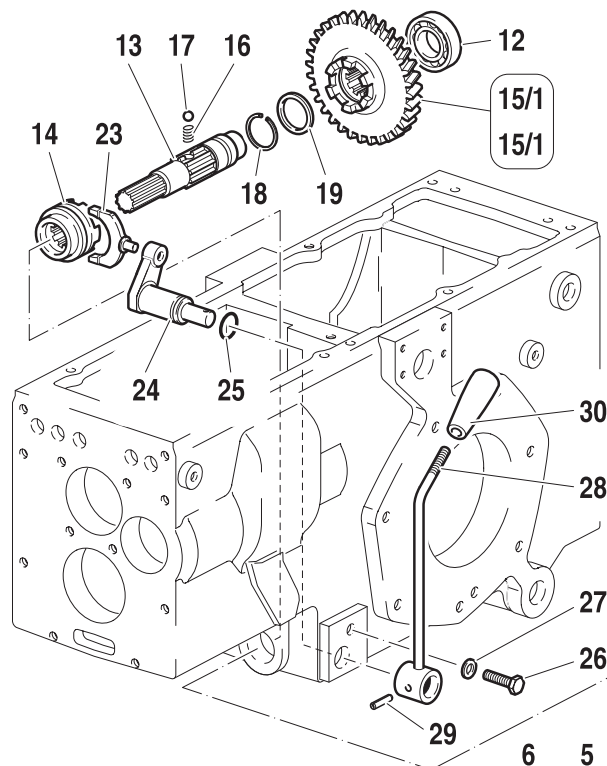
Version: 30-40CV

CODE REV

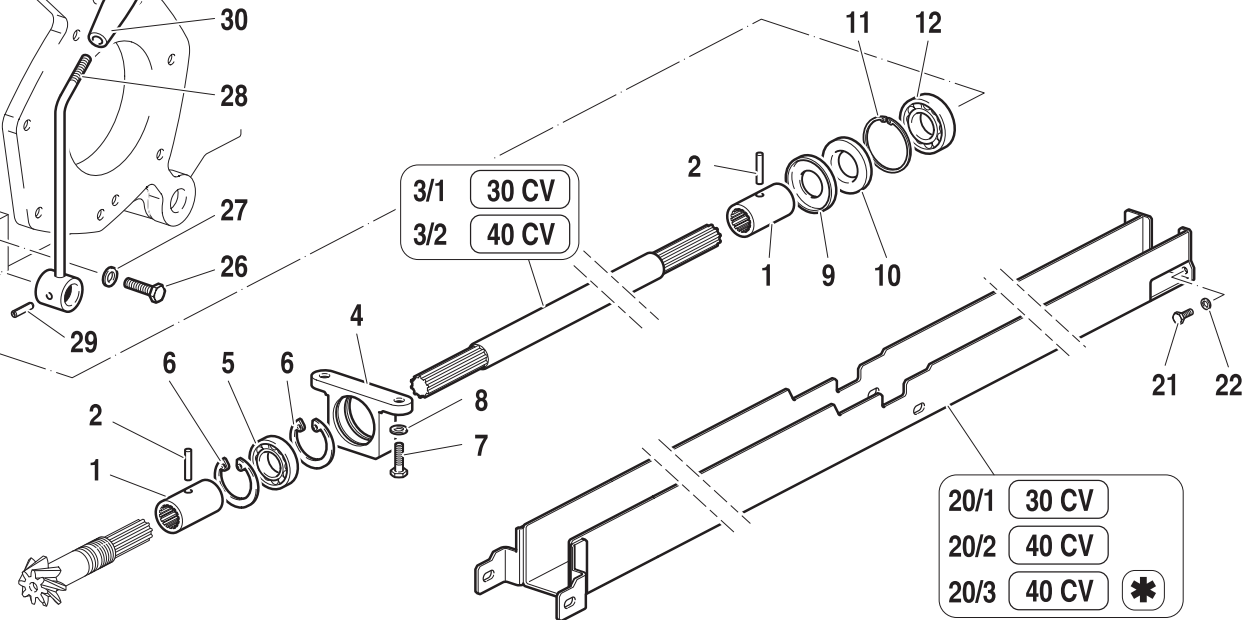
D.01.01_2_22170



Pos.	Code	Q.ty	Description	Notes
1	35111072	1	SEEGER RING I 72 DIN 472	
2	37111303	1	BEARING	
3	37111353	1	BEARING	
4	52473457	1	BEVEL RING GEAR	
5	52473463	1	DOUBLE GEAR	
6	52473456	1	FLANGE	
7	F0801241010	1	SEEGER RING E 30 UNI 7436	
8	56373464	1	SHIM	
8	56373561	1	SHIM	
8	56373562	1	SHIM	
9	F0802205060	1	SEAL 45x72/10	
10	F0812747000	1	BEARING 32006X (30x55x17)	
11	56473458	1	AXLE SHAFT	
12	56374191	1	RING NUT	
13	F0150023130	1	DUST GUARD	
14	F0831835000	1	CUP SPRING	
15	F0150023129	1	SPACER	
16	F0802186000	1	SEAL 40x55/8	
17	38112982	1	O-RING	
18	F0844470030	1	WASHER 30,0x41,8/4,25	
19	F0812797010	1	ROLLER D5x41,8 G2A	
20	38114070	1	O-RING	
21	F0851127000	1	PIN 4X12 DIN 1481 CL:C72	



3/1	30 CV
3/2	40 CV



* - PRESA DI FORZA VENTRALE
 - UNDER BELLY P.T.O.
 - PRISE DE FORCE VENTRALE
 - INNERE ZAPFWELLE
 - TOMA DE FUERZA VENTRAL

20/1	30 CV
20/2	40 CV
20/3	40 CV *

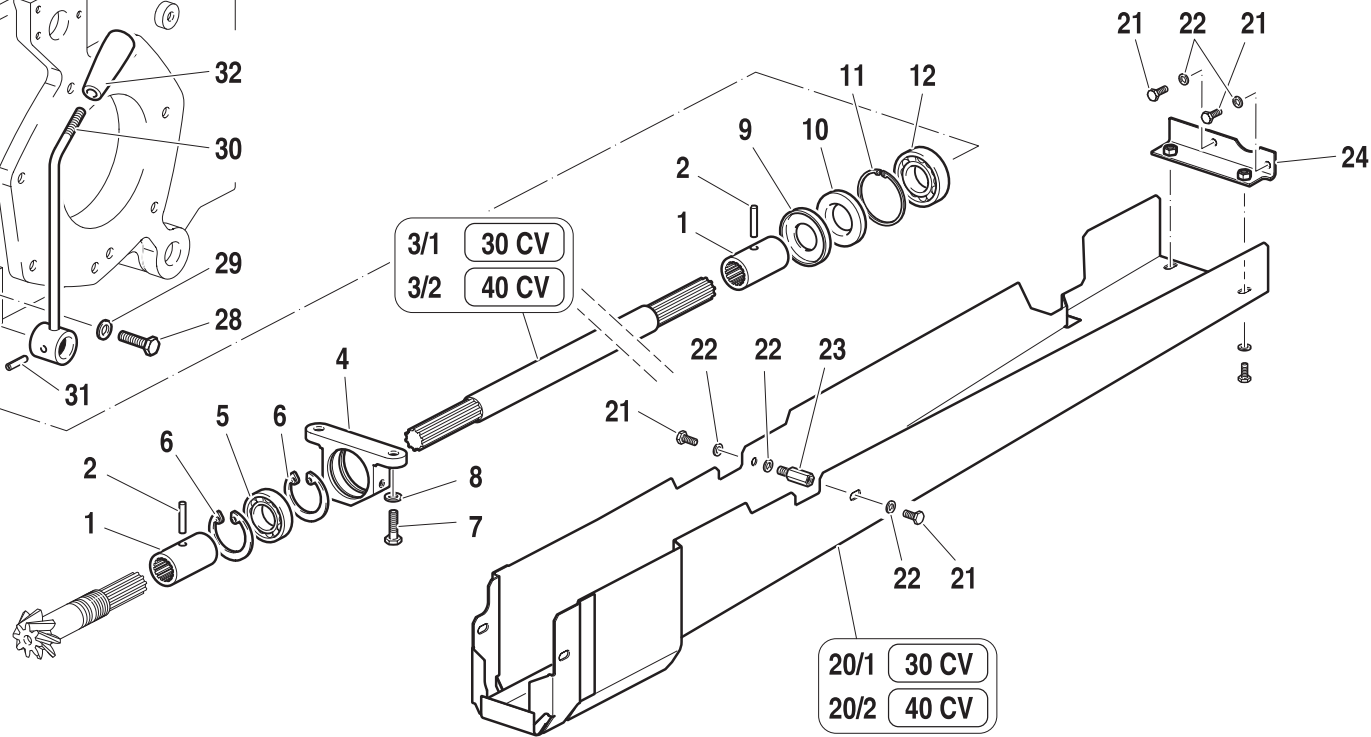
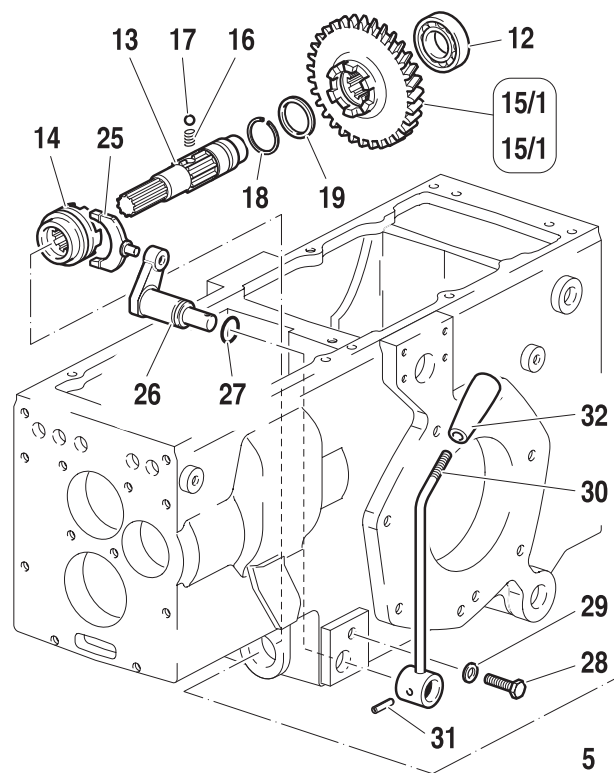
Pos.	Code	Q.ty	Description	Notes
1	56473601	1	SLEEVE	
2	F0851191000	1	PIN 5X32 DIN 1481	
3/1	56573602	1	SHAFT	
3/2	56573580	1	SHAFT	
4	51173489	1	SHAFT RETAINER	
5	F0812704000	1	BEARING 6005-2RS (25x47x12)	
6	35111047	1	SEEGER RING I 47 DIN 472	
7	31112150	1	SCREW TE M8X20 UNI 5739 8G	
8	F0843643060	1	WASHER 8	
9	56173490	1	PROTECTIVE RING D=52	
10	F0802100050	1	SEAL 25x52/7	
11	35111052	1	SEEGER RING I 52 DIN 472	
12	F0812707000	1	BEARING 6205 (25/52/15)	
13	52473787	1	TRANSMISSION SHAFT	
14	52473786	1	SLIDING SLEEVE	
15/1	59978062	1	GEARS SET	
15/2	52474176	1	GEAR	
16	58070741	1	SPRING	
17	F0847434000	1	BALL	
18	F0801241025	1	RETAINING RING	
19	56471654	1	SHIM	
20/1	59073325	1	GUARD	
20/2	59073607	1	GUARD	
20/3	59075624	1	GUARD	
21	31112082	1	SCREW TE M6X12 UNI 5739 8G	
22	F0843605010	1	WASHER 6	
23	52472430	1	SELECTOR FORK	
24	52373294	1	LEVER	
25	38111191	1	O-RING 115 (11,91X2,62)	
26	56373618	1	SPECIAL SCREW	
27	F0843754080	1	COPPER WASHER 10,5x16/1,5	
28	59073630	1	LEVER	
29	34211054	1	ROLL PIN	
30	F0837534010	1	GRIP	

SERIAL

FRONT DRIVE
Version: 30-40CV

CODE REV

D.03.01_1_20524



Pos.	Code	Q.ty	Description	Notes
1	56473601	1	SLEEVE	
2	F0851191000	1	PIN 5X32 DIN 1481	
3/1	56573602	1	SHAFT	
3/2	56573580	1	SHAFT	
4	51175399	1	SHAFT RETAINER	
5	F0812696000	1	BEARING 61805-2RS 25X37X7	
6	35111037	1	SEEGER RING I 37 DIN 472	
7	31112150	1	SCREW TE M8X20 UNI 5739 8G	
8	F0843643060	1	WASHER 8	
9	56173490	1	PROTECTIVE RING D=52	
10	F0802100050	1	SEAL 25x52/7	
11	35111052	1	SEEGER RING I 52 DIN 472	
12	F0812707000	1	BEARING 6205 (25/52/15)	
13	52473787	1	TRANSMISSION SHAFT	
14	52473786	1	SLIDING SLEEVE	
15/1	59978062	1	GEARS SET	
15/2	52474176	1	GEAR	
16	58070741	1	SPRING	
17	F0847434000	1	BALL	
18	F0801241025	1	RETAINING RING	
19	56471654	1	SHIM	
20/1	59075410	1	SHIELD	
20/2	59075400	1	SHIELD	
21	31112082	1	SCREW TE M6X12 UNI 5739 8G	
22	F0843605010	1	WASHER 6	
23	56176004	1	SMALL COLUMN	
24	59075408	1	PLATE	
25	52472430	1	SELECTOR FORK	
26	52373294	1	LEVER	
27	38111191	1	O-RING 115 (11,91X2,62)	
28	56373618	1	SPECIAL SCREW	
29	F0843754080	1	COPPER WASHER 10,5x16/1,5	
30	59073630	1	LEVER	
31	34211054	1	ROLL PIN	

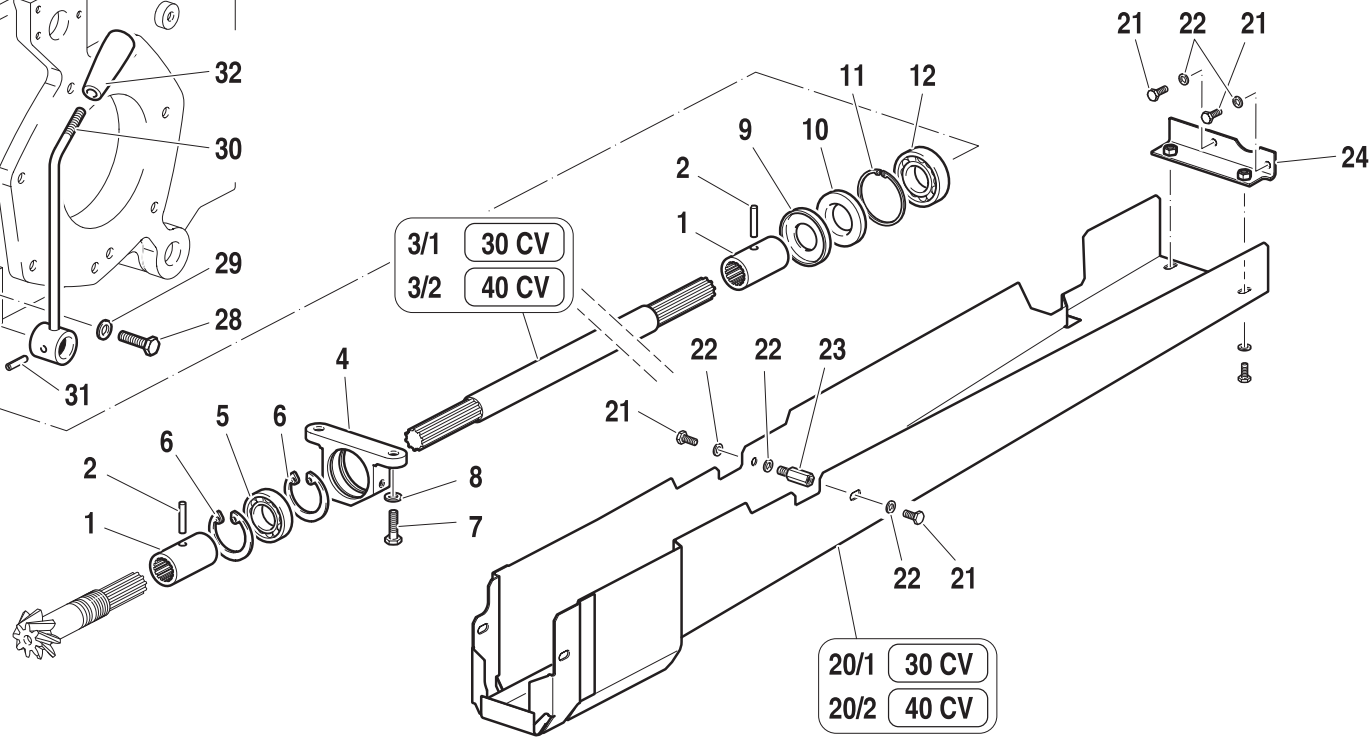
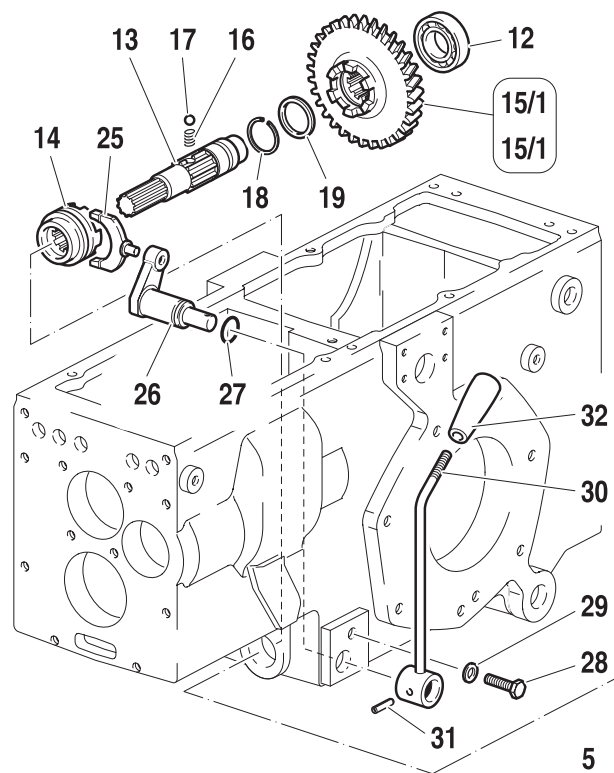
SERIAL

FRONT DRIVE (FRONT P.T.O. VERSION)

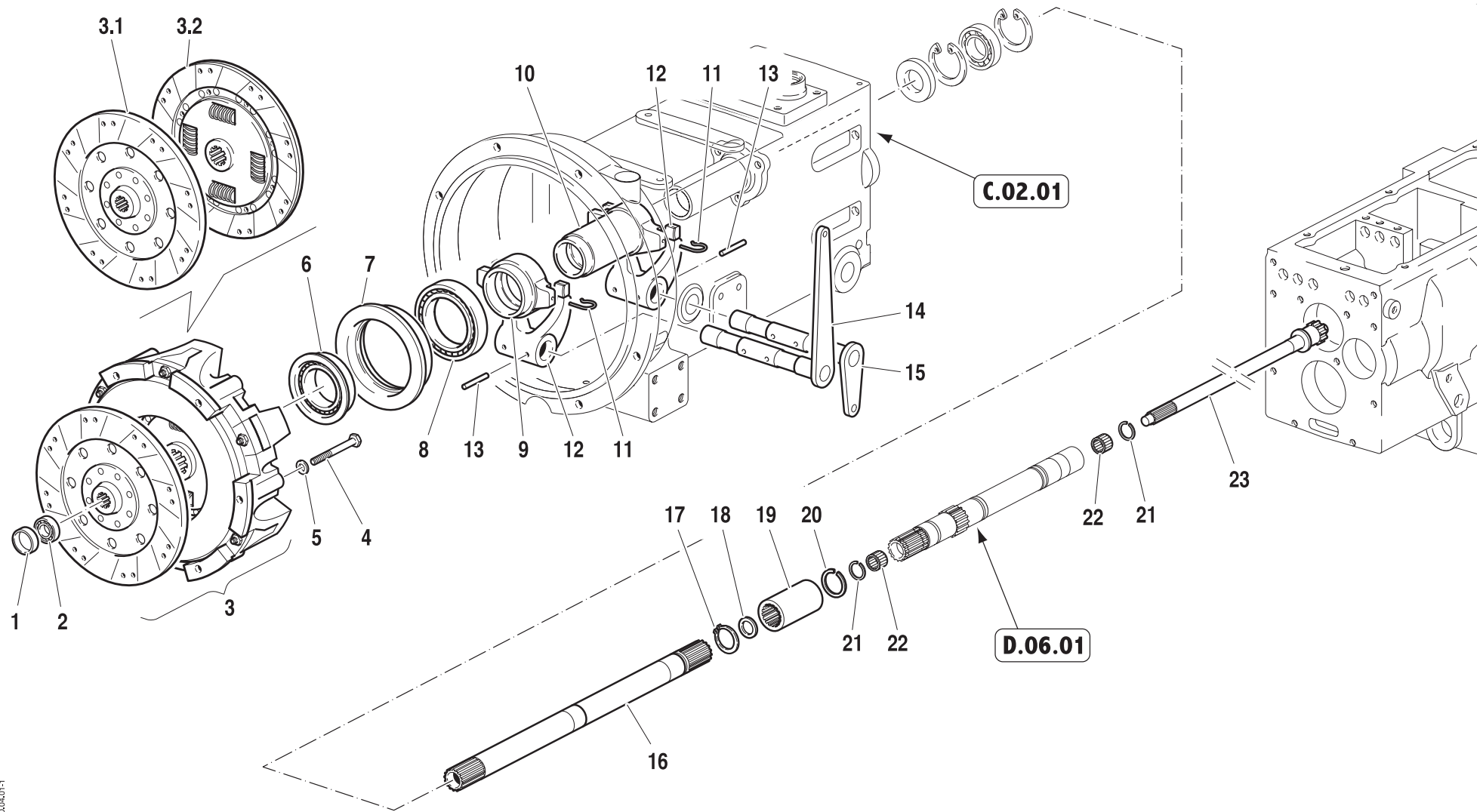
Version: 30-40CV

CODE REV


D.03.02_1_20559

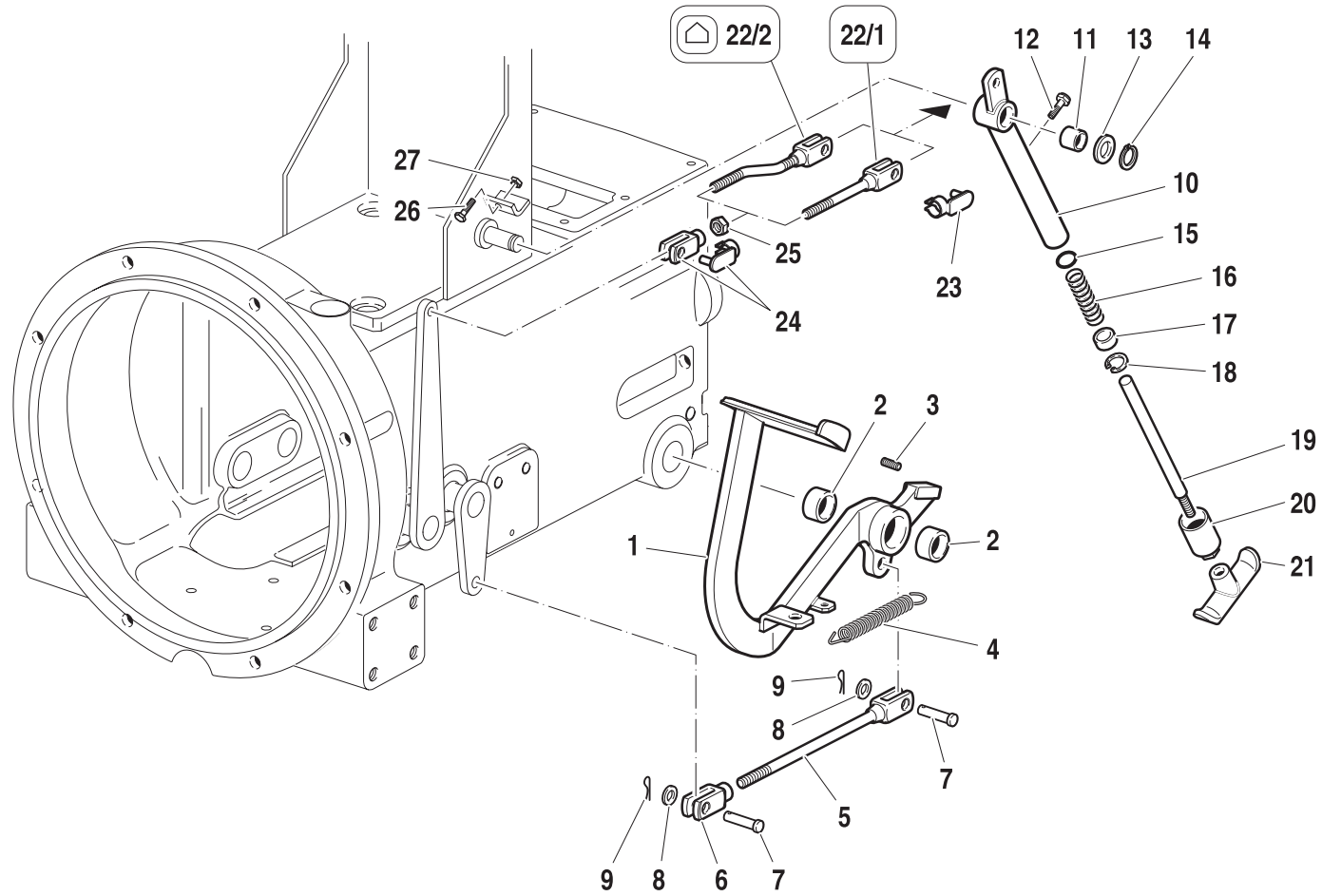


Pos.	Code	Q.ty	Description	Notes
32	F0837534010	1	GRIP	

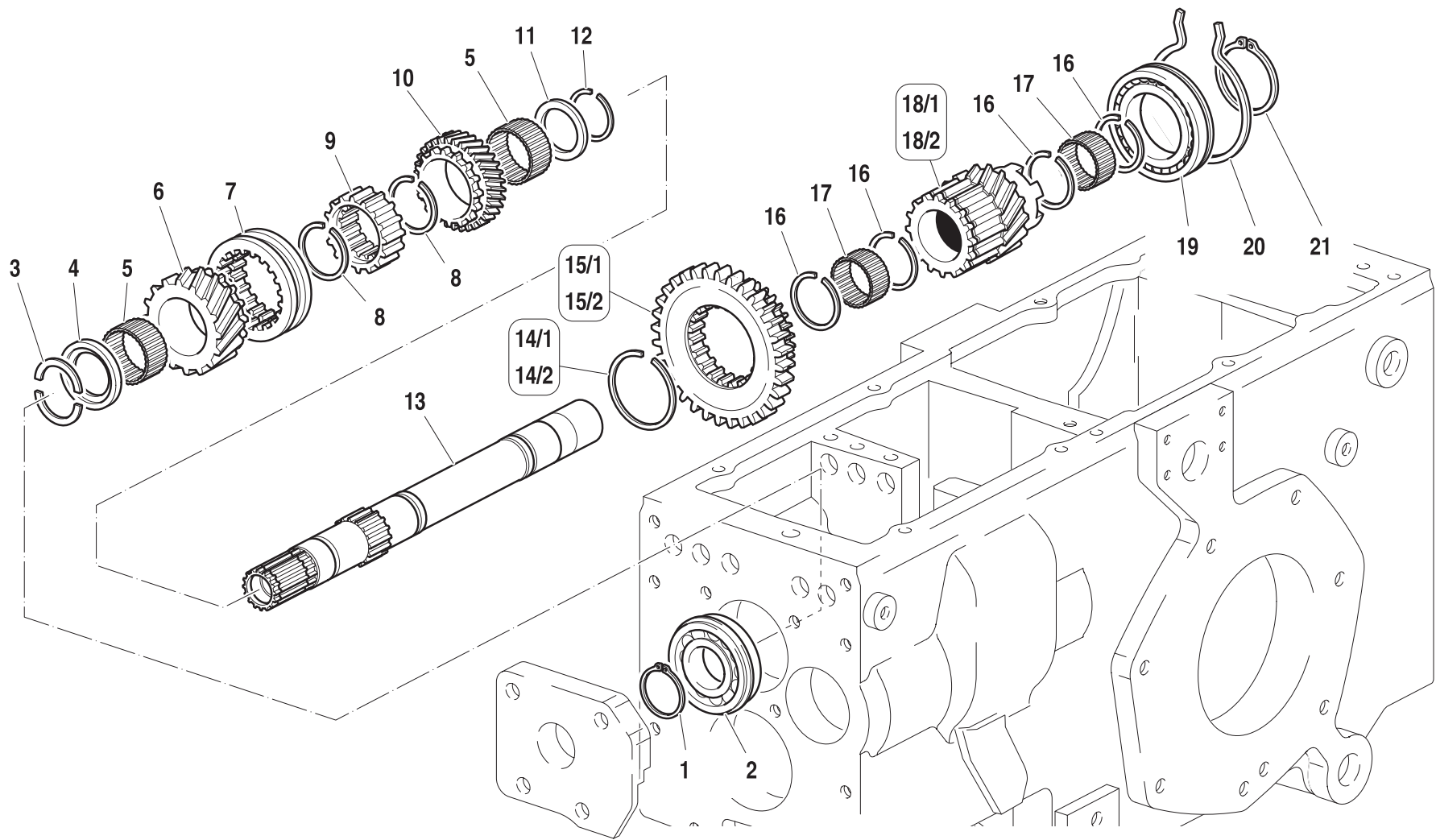


Pos.	Code	Q.ty	Description	Notes
1	56173468	1	SPACER	
2	F0812523050	1	BEARING 6201-2RS	
3	58173469	1	CLUTCH	
3.1	58174508	1	CLUTCH DISC	
3.2	58174509	1	CLUTCH DISC	
4	31111163	1	SCREW TE M8X85 UNI 5737 8G	
5	F0843643060	1	WASHER 8	
6	58176980	1	BEARING	
7	52473487	1	RING	
8	F0813000000	1	BEARING 6013-2RS	
9	51173486	1	SLEEVE	
10	51173485	1	SLEEVE	
11	58173483	1	SPRING	
12	52373484	1	FORK	
13	F0851293000	1	PIN 6X45 DIN 7343 CL:C72	
14	59073309	1	LEVER	
15	59073316	1	COMMAND LEVER	
16	56573467	1	SHAFT	
17	F0801241000	1	SEEGER RING E 30 UNI 7435	
18	58073488	1	OIL SEAL	
19	56473465	1	SLEEVE	
20	F0800056050	1	CIRCLIP B28 UNI 7433	
21	F0801156050	1	SAFETY RING	
22	F0812578050	1	ROLLER CAGE 17x21/13	
23	56573299	1	SHAFT	

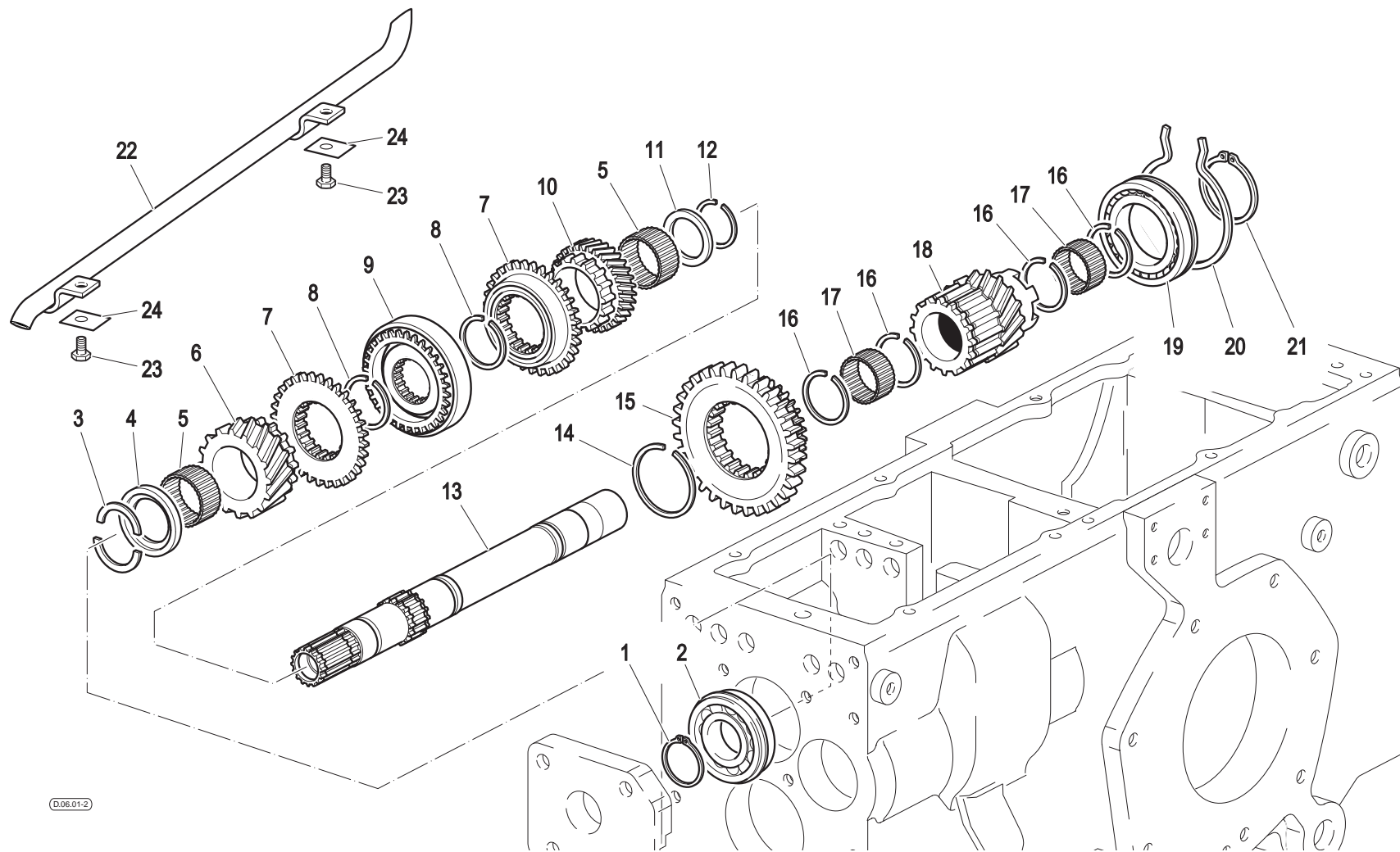

 - VERSIONE CON CABINA
 - CAB VERSION
 - VERSION AVEC CABINE
 - KABINENAUSFÜHRUNG
 - VERSION CON CABINA



Pos.	Code	Q.ty	Description	Notes
1	59073624	1	CLUTCH PEDAL	
2	58173248	1	BUSHING	
3	56373628	1	PIN	
4	58070790	1	RESTORING SPRING	
5	59073279	1	ROD	
6	F0860091010	1	FORK	
7	56470365	1	PIN	
8	31411105	1	WASHER 10,5x21	
9	F0810510000	1	SPLIT PIN A2,0X20 UNI 1336	
10	59073305	1	COMMAND LEVER	
11	F0804051000	1	BUSHING 18X14/24,8	
12	F0862601000	1	SPECIAL SCREW M8	
13	31411150	1	WASHER 15x28	
14	35121014	1	SEEGER RING E 14 DIN 471	
15	F0803067000	1	O-RING 2075 (18,77X1,78)	
16	F0831146000	1	SPRING DM.12,5X1,5/45	
17	F0843809020	1	WASHER 10,25x16/4	
18	35111018	1	SEEGER RING I 18 UNI 7437	
19	F0150036363	1	ROD	
20	F0150036364	1	BUSHING	
21	F0837554000	1	GRIP	
22/1	59073304	1	ROD	
22/2	59075546	1	ROD	
23	F0860058020	1	PIN	
24	F0860060000	1	COMPLETE FORK	
25	F0814569000	1	NUT M8 UNI 5589 CL:8	
26	31112090	1	SCREW TE M6X16 UNI 5739 8G	
27	F0814535050	1	NUT M6	



Pos.	Code	Q.ty	Description	Notes
1	F0801241010	1	SEEGER RING E 30 UNI 7436	
2	F0812750000	1	BEARING 6206-NR (30X62/16)	
3	56371440	1	HALF RING	
4	56471441	1	SHIM	
5	F0812737000	1	ROLLER CAGE K 30X35/27	
6	52473711	1	GEAR	
7	52471436	1	SLIDING SLEEVE	
8	F0801266050	1	SAFETY RING	
9	52471435	1	SLEEVE	
10	52473715	1	GEAR	
11	56471654	1	SHIM	
12	F0801241025	1	RETAINING RING	
13	52476392	1	SHAFT	
14/1	F0801380150	1	SAFETY RING	
14/2	F0801346200	1	SAFETY RING	
15/1	59978062	1	GEARS SET	
15/2	52474173	1	SLIDING GEAR	
16	F0801266000	1	SAFETY RING	
17	F0812736010	1	ROLLER CAGE K 30X35/20 H	
18/1	59978062	1	GEARS SET	
18/2	52474419	1	GEAR	
19	50974166	1	BEARING	
20	58073788	1	SEEGER RING	
21	F0801331050	1	SEEGER RING E 45 UNI 7436	



D.06.01-2

Pos.	Code	Q.ty	Description	Notes
1	F0801241010	1	SEEGER RING E 30 UNI 7436	
2	F0812750000	1	BEARING 6206-NR (30X62/16)	
3	56371440	2	HALF RING	
4	56471441	1	SHIM	
5	F0812737000	2	ROLLER CAGE K 30X35/27	
6	52475919	1	GEAR	
7	52475921	2	RING	
8	F0801266050	2	SAFETY RING	
9	58175939	1	LOCK SYNCHRONIZER	
10	52475918	1	DRIVEN GEAR	
11	56471654	1	SHIM	
12	F0801241025	1	RETAINING RING	
13	52476392	1	SHAFT	
14	F0801346200	1	SAFETY RING	
15	52474173	1	SLIDING GEAR	
16	F0801266000	4	SAFETY RING	
17	F0812736010	2	ROLLER CAGE K 30X35/20 H	
18	52474419	1	GEAR	
19	50974166	1	BEARING	
20	58073788	1	SEEGER RING	
21	F0801331050	1	SEEGER RING E 45 UNI 7436	
22	59075936	1	PIPE	
23	31111090	2	SCREW TE M5X10 UNI 5739 8G	
24	31450060	2	SMALL PLATE	

SERIAL

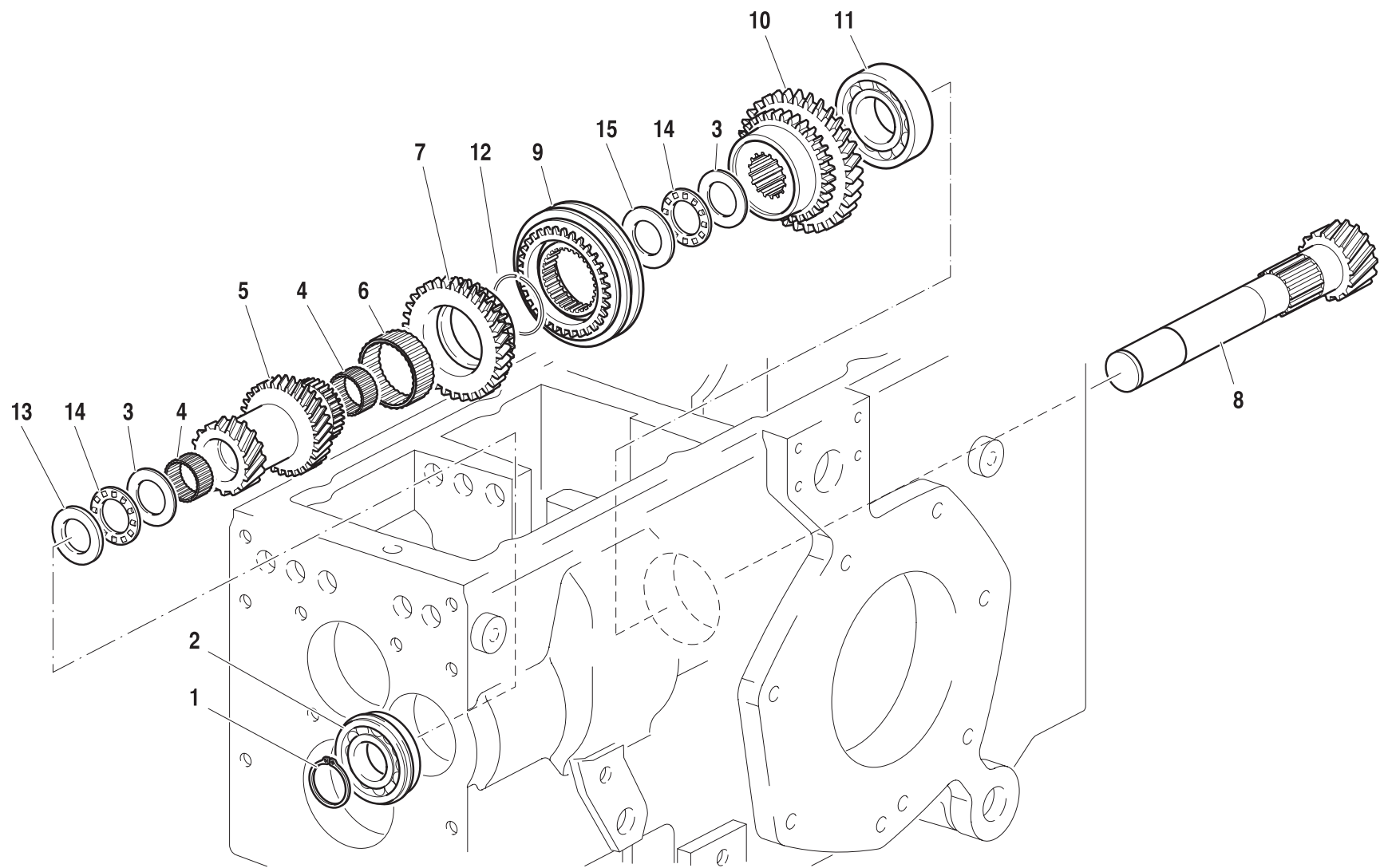
900124

INPUT SHAFT AND GEARS (SYNCHRONIZED REVERSER)

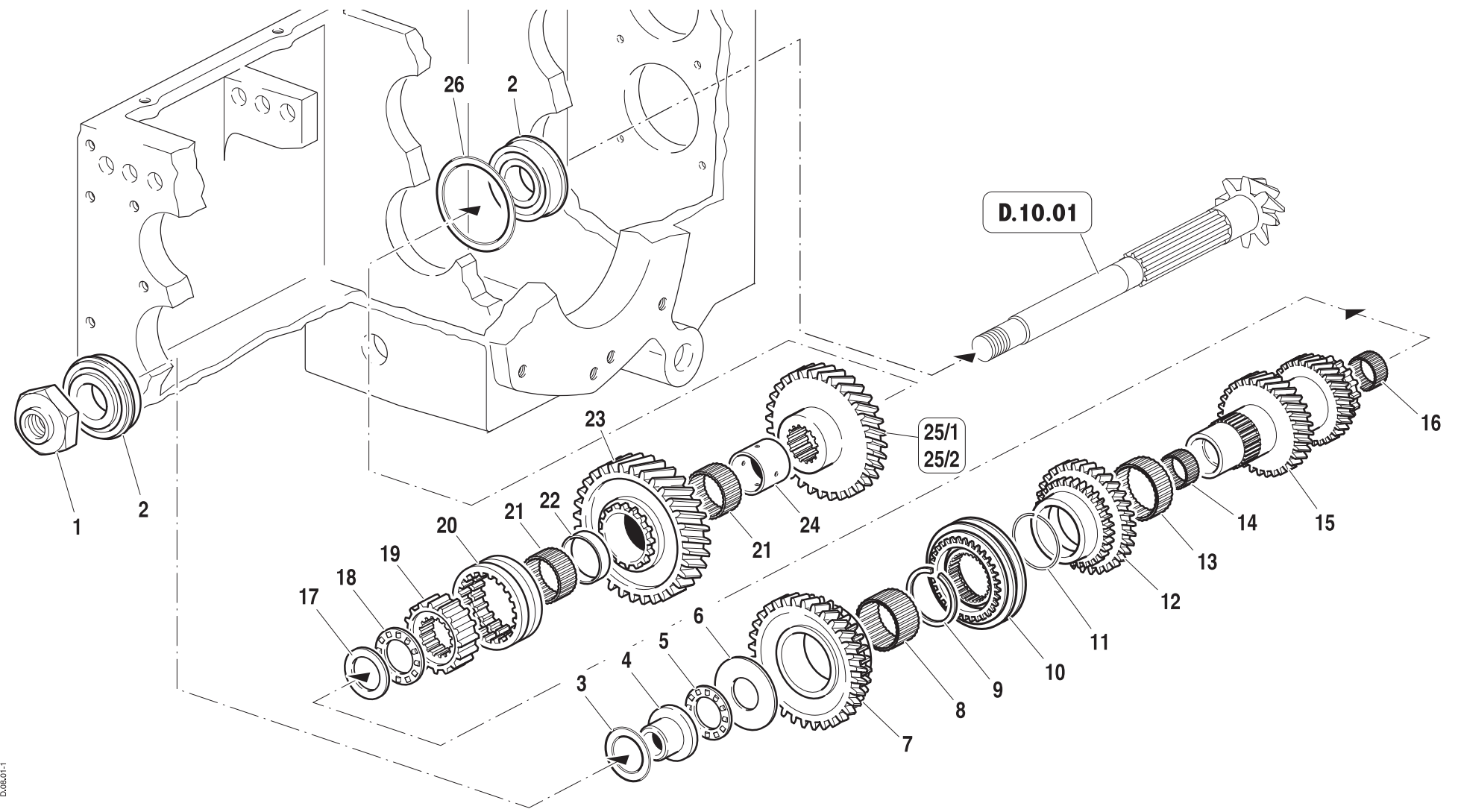
Version: 30-40CV

CODE REV

D.06.01_2_75280



Pos.	Code	Q.ty	Description	Notes
1	35131026	1	SEEGER RING E 25X2 UNI 7436	
2	F0812709000	1	BEARING 6205-NR (25x52x15)	
3	58173792	1	THRUST PLATE	
4	F0812689000	1	ROLLER CAGE K 25X30/20 H	
5	52473713	1	GEAR	
6	F0812918050	1	ROLLER CAGE K 42X47/17	
7	52473719	1	GEAR	
8	52473722	1	DRIVE SHAFT	
9	58172571	1	LOCK SYNCHRONIZER	
10	52473720	1	GEAR	
11	37111299	1	BEARING	
12	58072505	1	SHOULDERED WASHER	
13	52473791	1	THRUST PLATE	
13	52473815	1	THRUST PLATE	
13	52474239	1	THRUST PLATE	
14	58173790	1	BEARING	
15	52473793	1	THRUST PLATE	



Pos.	Code	Q.ty	Description	Notes
1	56371652	1	NUT	
2	F0812810100	1	BEARING	
3	58024193	1	SHIM	
3	58024194	1	SHIM	
3	58024195	1	SHIM	
3	58024196	1	SHIM	
3	58074109	1	SHIM	
4	56471655	1	BUSHING	
5	58173790	1	BEARING	
6	52473789	1	THRUST PLATE	
6	52473812	1	THRUST PLATE	
6	52473813	1	THRUST PLATE	
7	52473712	1	DRIVEN GEAR	
8	F0812871070	1	ROLLER CAGE K 38X46/20 H	
9	F0801280100	1	SAFETY RING	
10	58172571	1	LOCK SYNCHRONIZER	
11	58072505	1	SHOULDERED WASHER	
12	52473714	1	DRIVEN GEAR	
13	F0812918050	1	ROLLER CAGE K 42X47/17	
14	F0812689000	1	ROLLER CAGE K 25X30/20 H	
15	52473718	1	DOUBLE GEAR	
16	F0812732080	1	ROLLER CAGE 27X34/17 H	
17	52473796	1	THRUST PLATE	
18	58173797	1	BEARING	
19	52473721	1	SLEEVE	
20	52471459	1	SLIDING SLEEVE	
21	F0812871030	1	ROLLER CAGE K 37X42/17	
22	56271457	1	SPACER	
23	52473726	1	DOUBLE GEAR	
24	56471461	1	BUSHING	
25/1	59978062	1	GEARS SET	
25/2	52474175	1	GEAR	
26	56371661	1	ADJUSTING RING	
26	56371662	1	ADJUSTING RING	

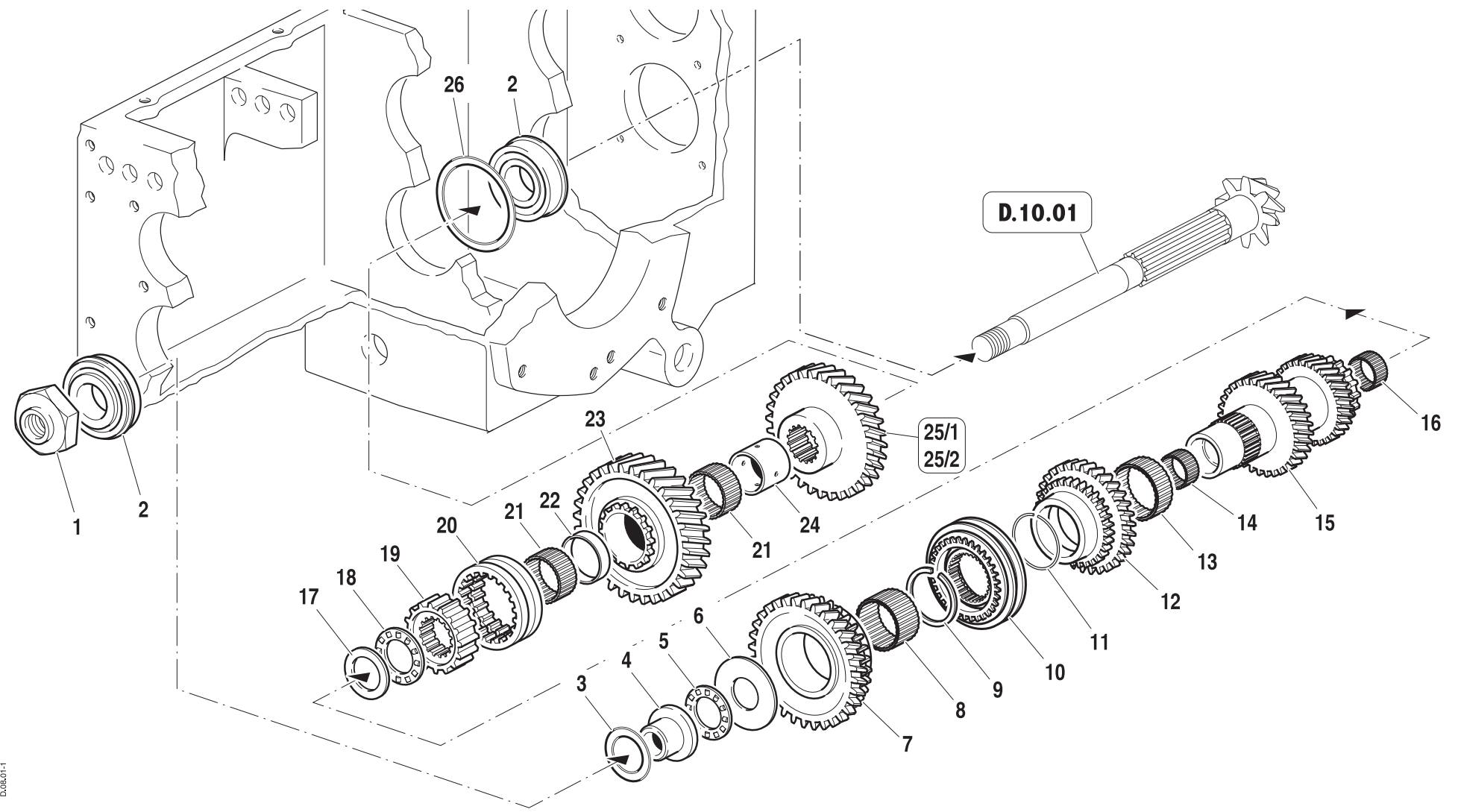
SERIAL

SECONDARY SHAFT GEARS (NOT SYNCHRONIZED REVERSER)

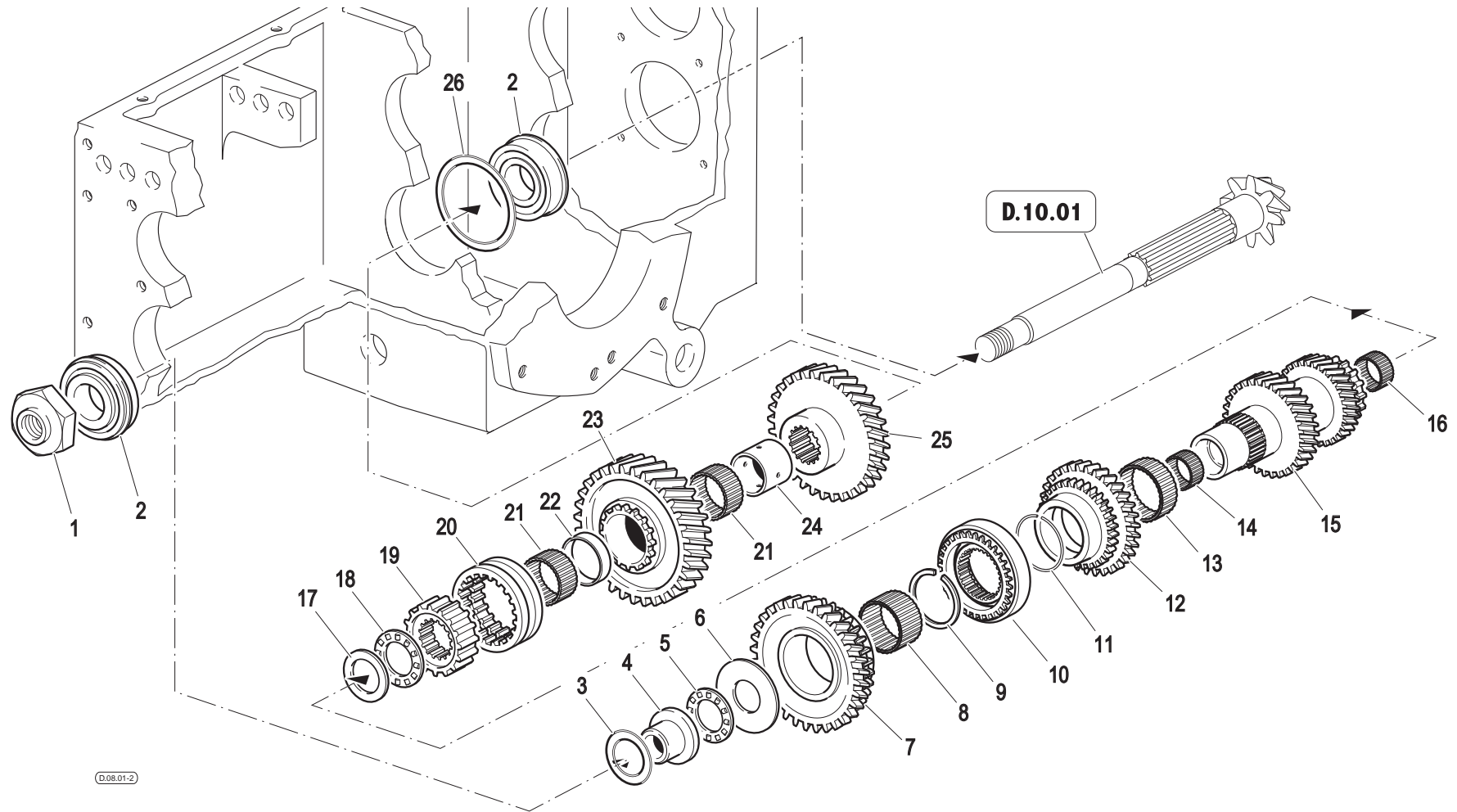
Version: 30-40CV

CODE REV

D.08.01_1_20693



Pos.	Code	Q.ty	Description	Notes
26	56371663	1	ADJUSTING RING	
26	56371664	1	ADJUSTING RING	
26	56373440	1	ADJUSTING RING	



D.08.01-2

Pos.	Code	Q.ty	Description	Notes
1	56371652	1	NUT	
2	F0812810100	2	BEARING	
3	58024193	1	SHIM	
3	58024194	1	SHIM	
3	58024195	1	SHIM	
3	58024196	1	SHIM	
3	58074109	1	SHIM	
4	56471655	1	BUSHING	
5	58173790	1	BEARING	
6	52473789	1	THRUST PLATE	
6	52473812	1	THRUST PLATE	
6	52473813	1	THRUST PLATE	
7	52475922	1	DRIVEN GEAR	
8	F0812871070	1	ROLLER CAGE K 38X46/20 H	
9	F0801280100	1	SAFETY RING	
10	58175937	1	LOCK SYNCHRONIZER	
11	58072505	1	SHOULDERED WASHER	
12	52475920	1	DRIVEN GEAR	
13	F0812918050	1	ROLLER CAGE K 42X47/17	
14	F0812689000	1	ROLLER CAGE K 25X30/20 H	
15	52475935	1	DOUBLE GEAR	
16	F0812732080	1	ROLLER CAGE 27X34/17 H	
17	52473796	1	THRUST PLATE	
18	58173797	1	BEARING	
19	52473721	1	SLEEVE	
20	52471459	1	SLIDING SLEEVE	
21	F0812871030	1	ROLLER CAGE K 37X42/17	
22	56271457	1	SPACER	
23	52473726	1	DOUBLE GEAR	
24	56471461	1	BUSHING	
25	52474175	1	GEAR	
26	56371661	1	ADJUSTING RING	
26	56371662	1	ADJUSTING RING	
26	56371663	1	ADJUSTING RING	

SERIAL

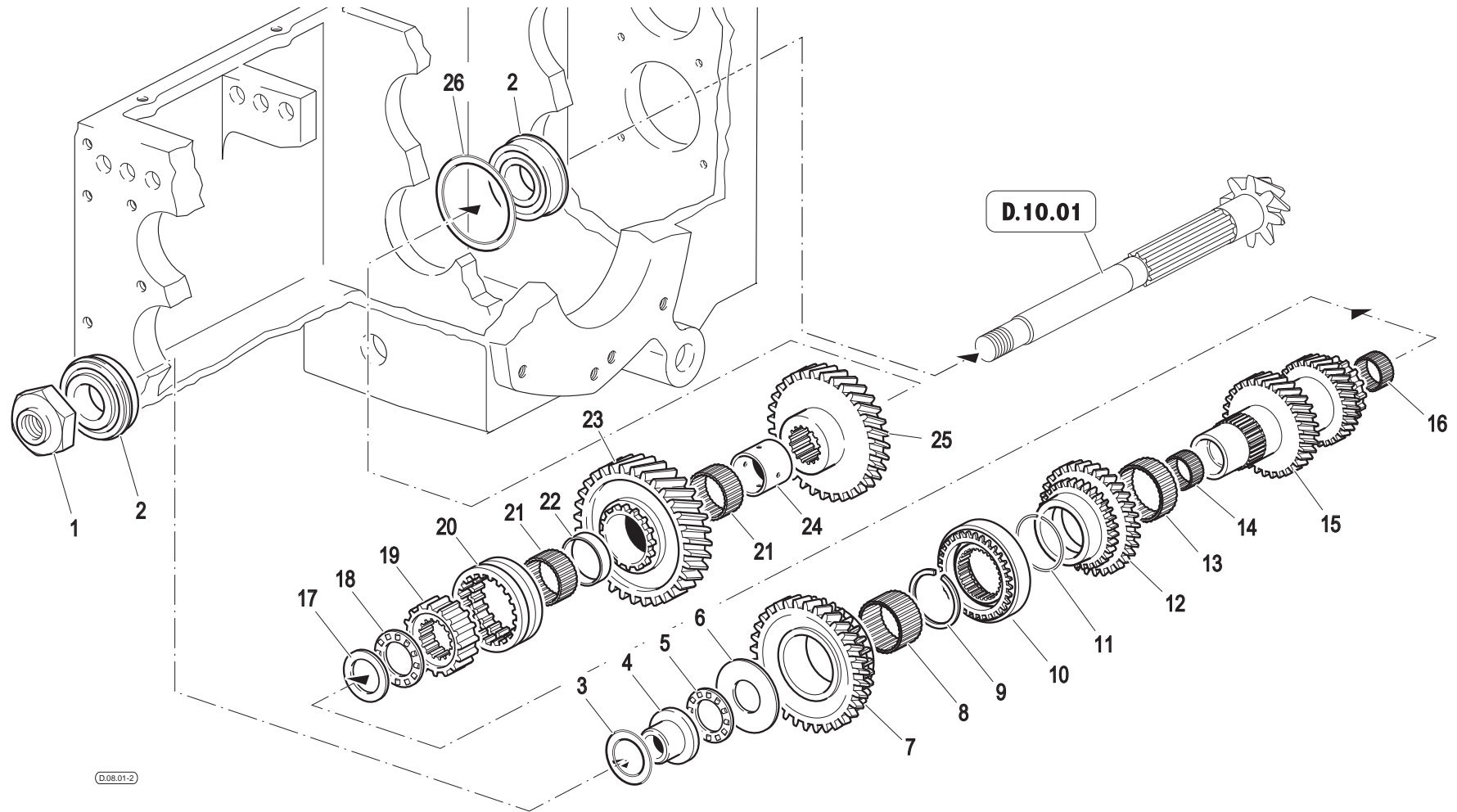
900124

INGRANAGGI ALBERO SECONDARIO (INVERSO SINCROZZATO)

Version: 30-40CV

CODE REV

D.08.01_2_75308



D.08.01-2

Pos.	Code	Q.ty	Description	Notes
26	56371664	1	ADJUSTING RING	
26	56373440	1	ADJUSTING RING	

SERIAL

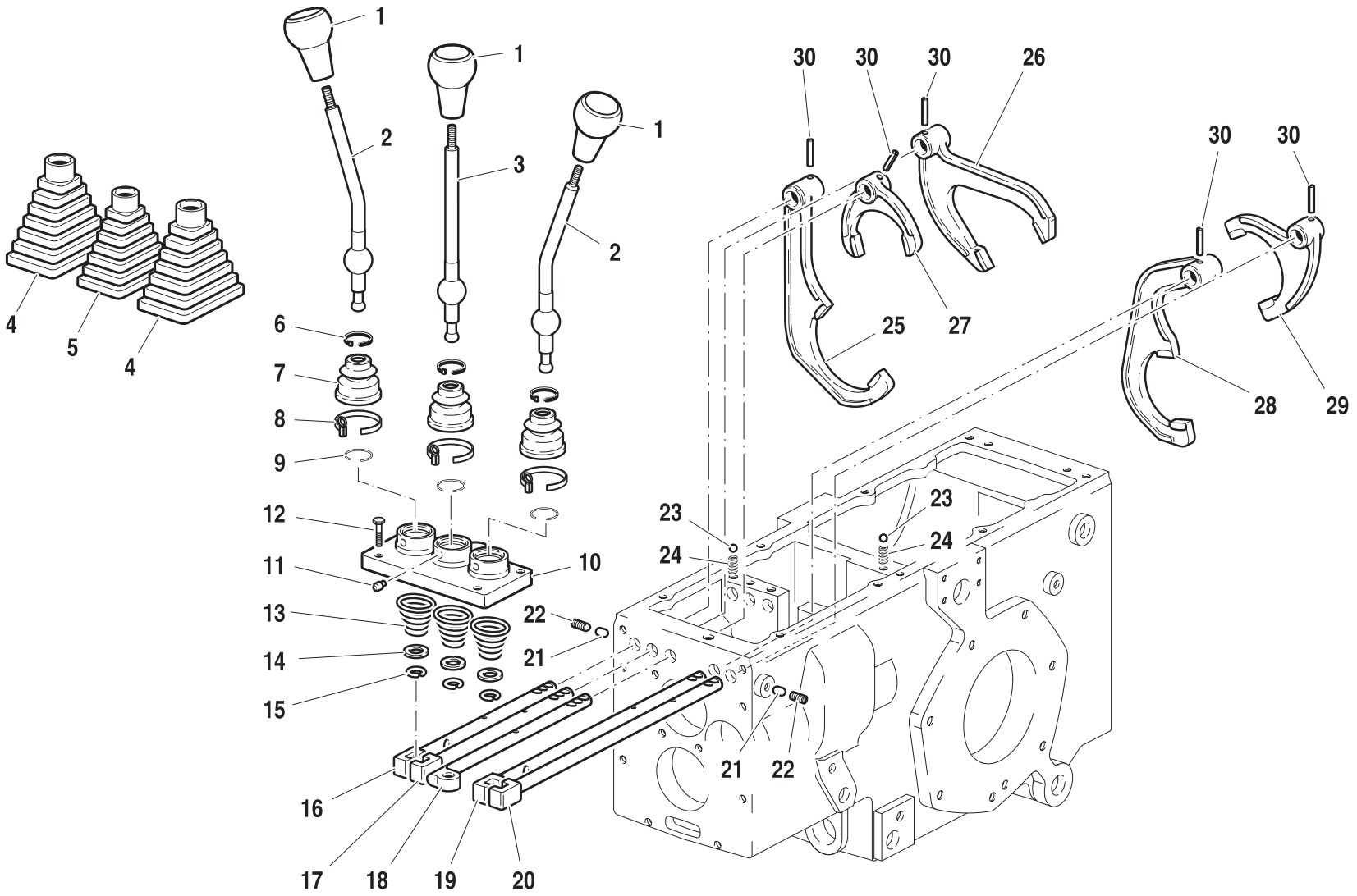
900124

INGRANAGGI ALBERO SECONDARIO (INVERSO SINCROZZATO)

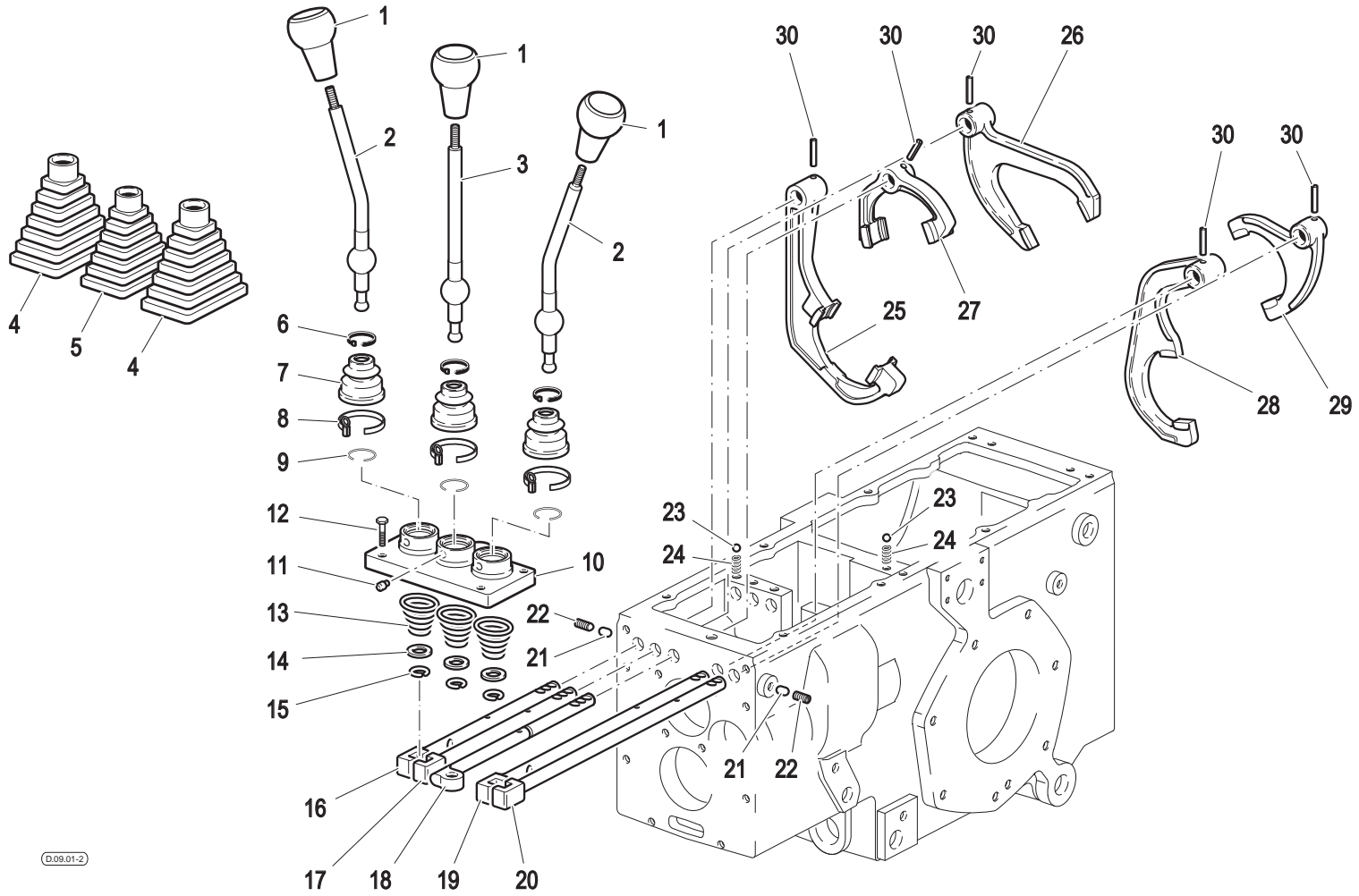
Version: 30-40CV

CODE REV

D.08.01_2_75308



Pos.	Code	Q.ty	Description	Notes
1	58174192	1	HANDLE	
2	52374183	1	COMMAND LEVER	
3	52374182	1	COMMAND LEVER	
4	55174163	1	BELLOWS	
5	55174162	1	BELLOWS	
6	F0817640003	1	CLAMP 4,8x180	
7	55170053	1	CAP	
8	58170054	1	COLLAR	
9	58070169	1	LOCKRING	
10	51173472	1	COVER	
11	56370018	1	HINGE PIN	
12	F0862694000	1	SCREW M8X170 UNI 5737	
13	58070164	1	SPRING	
14	56370172	1	SPACER	
15	58070168	1	LOCKRING	
16	56373861	1	PULL ROD	
17	56373474	1	PULL ROD	
18	56373477	1	PULL ROD	
19	56373476	1	PULL ROD	
20	56373475	1	PULL ROD	
21	56571697	1	TOGGLE	
22	F0863183000	1	SCREW M10X16 UNI 5923	
23	F0847434000	1	BALL	
24	58070741	1	SPRING	
25	51271691	1	SELECTOR FORK	
26	52373240	1	SELECTOR FORK	
27	51271690	1	SELECTOR FORK	
28	51272405	1	SELECTOR FORK	
29	51271696	1	GEAR FORK	
30	F0851180000	1	PIN 5X26 DIN 1481 CL:C72	



Pos.	Code	Q.ty	Description	Notes
1	58174192	1	HANDLE	
2	52374183	1	COMMAND LEVER	
3	52374182	1	COMMAND LEVER	
4	55174163	1	BELLOWS	
5	55174162	1	BELLOWS	
6	F0817640003	1	CLAMP 4,8x180	
7	55170053	1	CAP	
8	58170054	1	COLLAR	
9	58070169	1	LOCKRING	
10	51173472	1	COVER	
11	56370018	1	HINGE PIN	
12	F0862694000	1	SCREW M8X170 UNI 5737	
13	58070164	1	SPRING	
14	56370172	1	SPACER	
15	58070168	1	LOCKRING	
16	56373861	1	PULL ROD	
17	56373474	1	PULL ROD	
18	56376393	1	PULL ROD	
19	56373476	1	PULL ROD	
20	56373475	1	PULL ROD	
21	56571697	1	TOGGLE	
22	F0863183000	1	SCREW M10X16 UNI 5923	
23	F0847434000	1	BALL	
24	58070741	1	SPRING	
25	52275923	1	SELECTOR FORK	
26	52373240	1	SELECTOR FORK	
27	52275924	1	SELECTOR FORK	
28	51272405	1	SELECTOR FORK	
29	51271696	1	GEAR FORK	
30	F0851180000	1	PIN 5X26 DIN 1481 CL:C72	

SERIAL

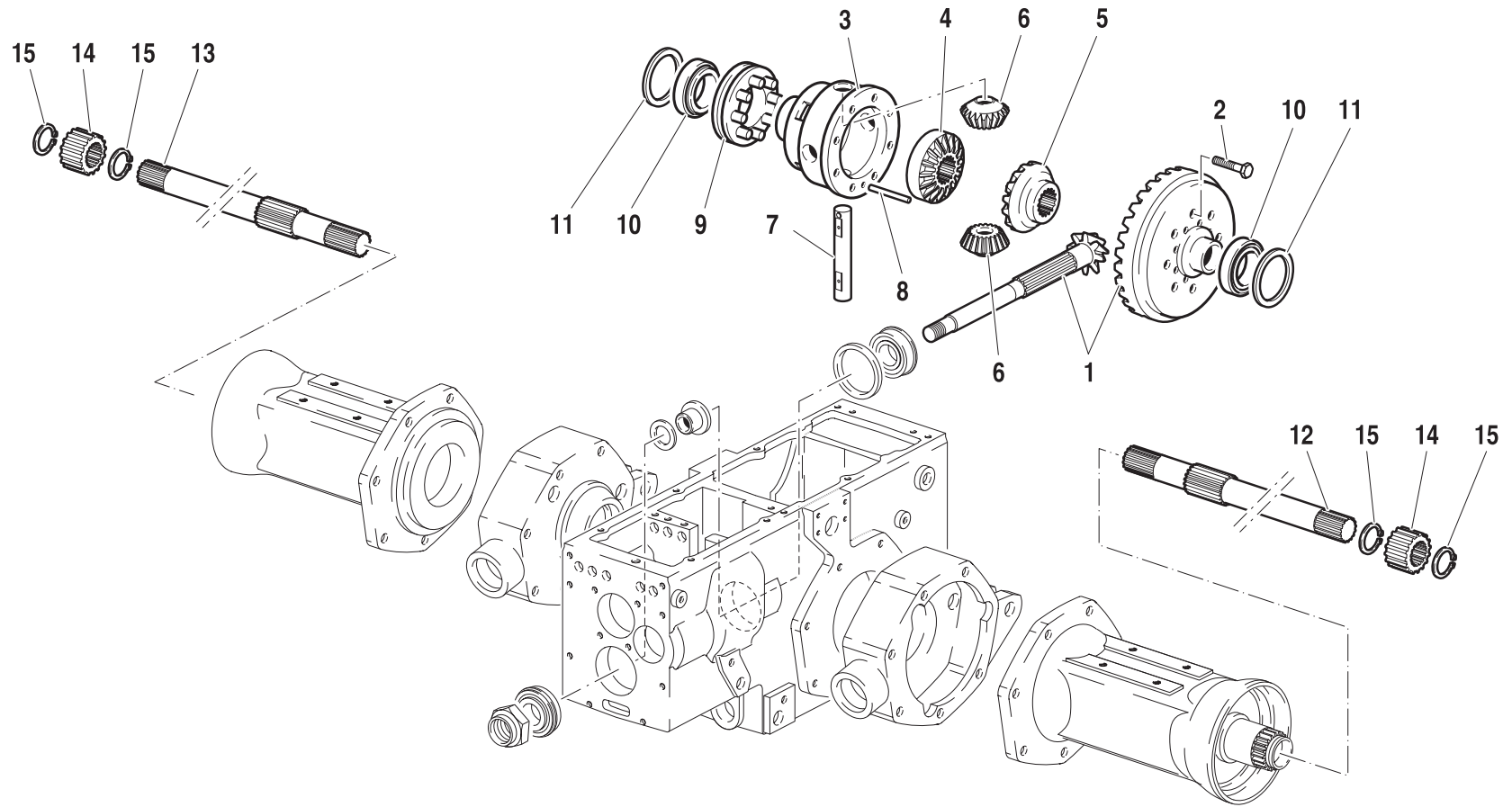
900124

GEAR CONTROLS (SYNCHR. REVERSE GEAR)

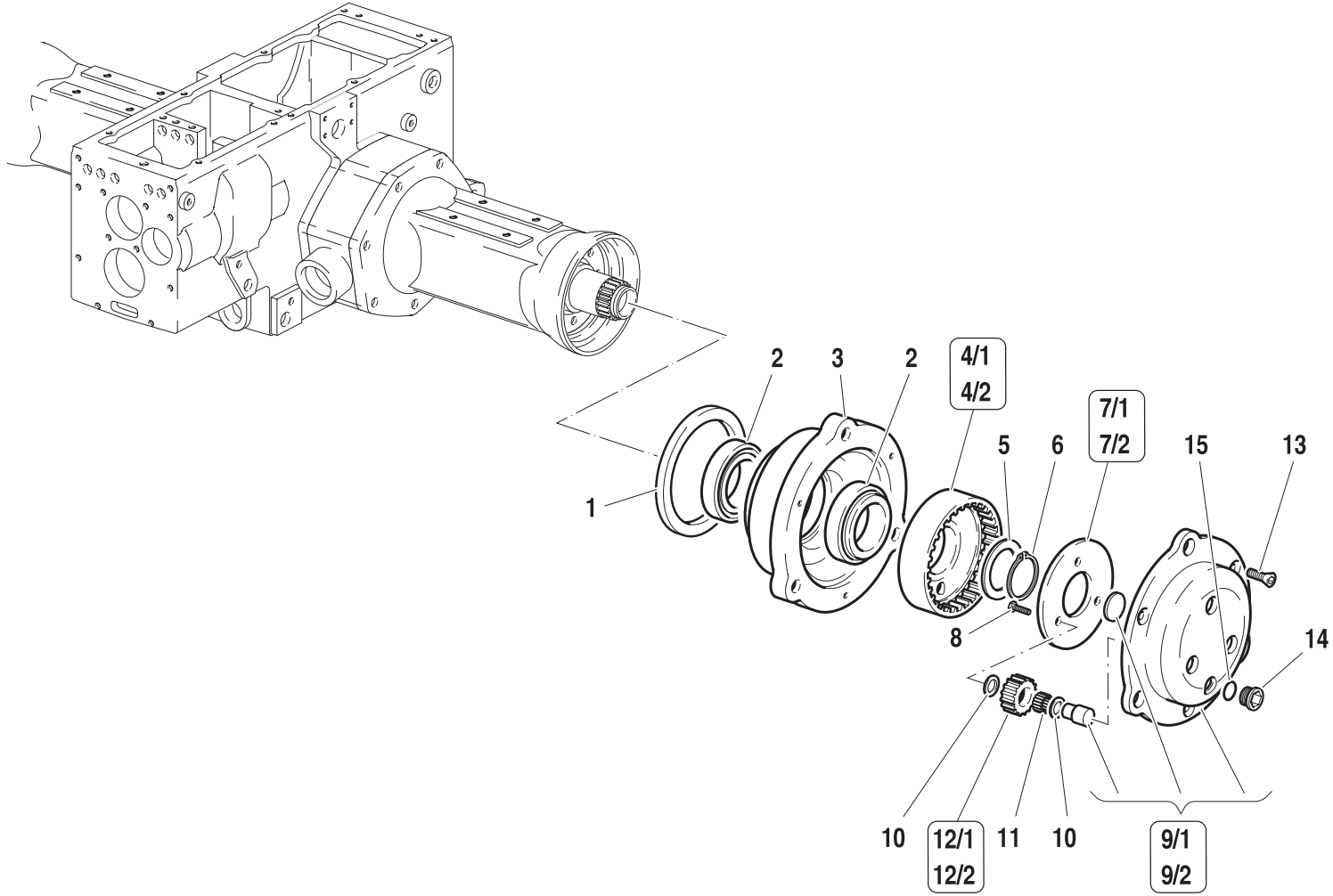
Version: 30-40CV

CODE REV

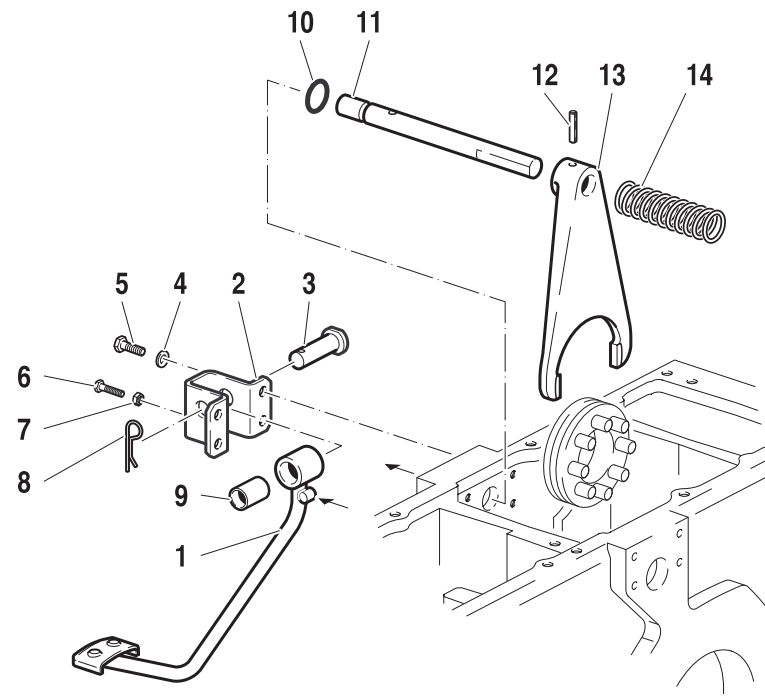
D.09.01_2_75346



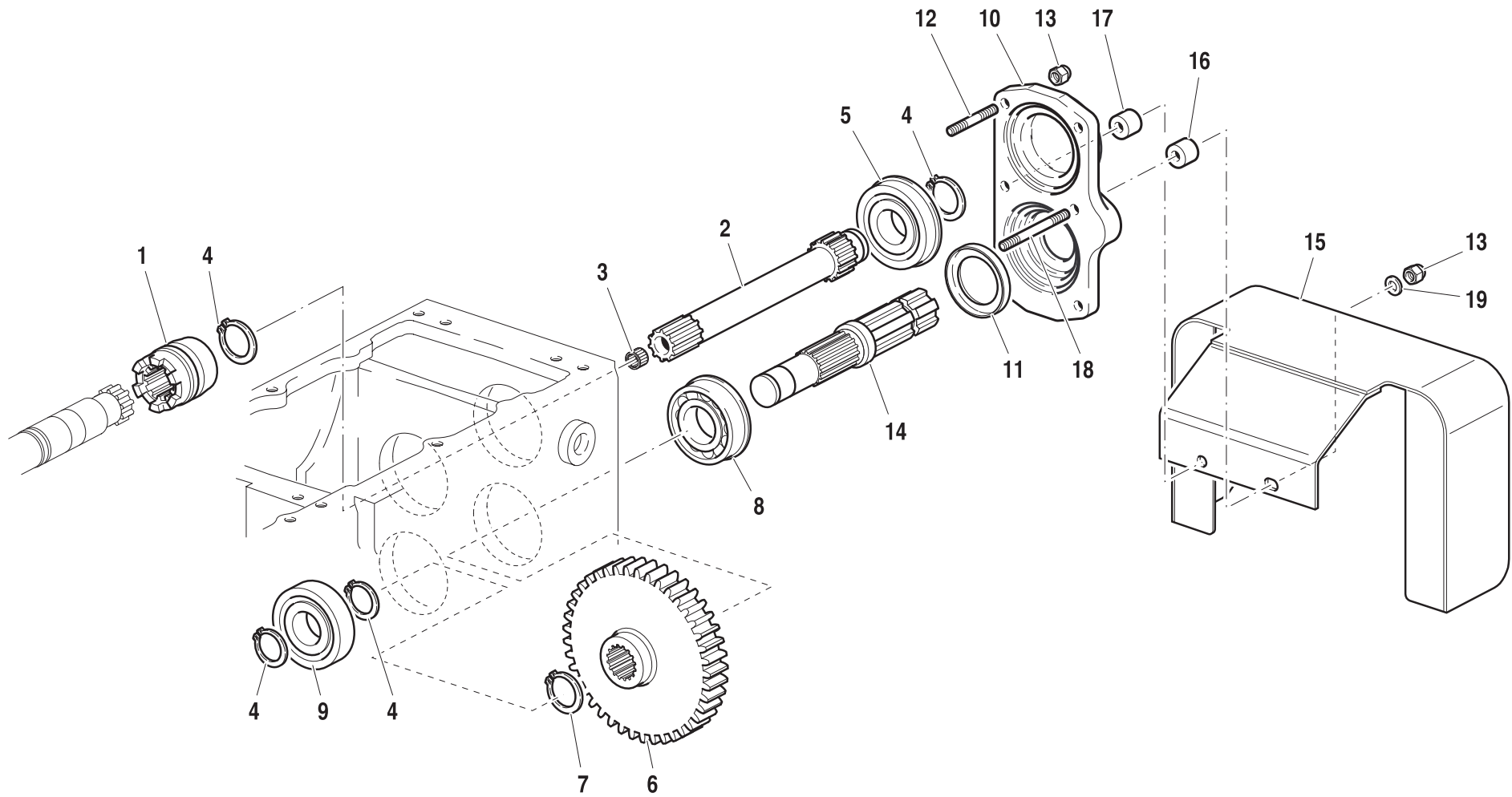
Pos.	Code	Q.ty	Description	Notes
1	59373782	1	BEVEL GEAR	
2	F0863267050	1	SCREW M10x25	
3	51374866	1	HOUSING	
4	52471516	1	CROWN WHEEL	
5	52471513	1	CROWN WHEEL	
6	52471509	1	PLANETARY GEAR	
7	56471508	1	PIN	
8	56371994	1	PIN	
9	59071518	1	SLEEVE	
10	F0812895000	1	BEARING 32008 (40X68X19)	
11	56371582	1	RING	
11	56371583	1	RING	
11	56371584	1	RING	
11	56371585	1	RING	
11	56371586	1	RING	
12	52572605	1	REAR AXLE SHAFT	
13	52572606	1	REAR AXLE SHAFT	
14	52473922	1	CROWN WHEEL	
15	F0801175050	1	SEEGER RING E 24X1,75 UNI 7436	



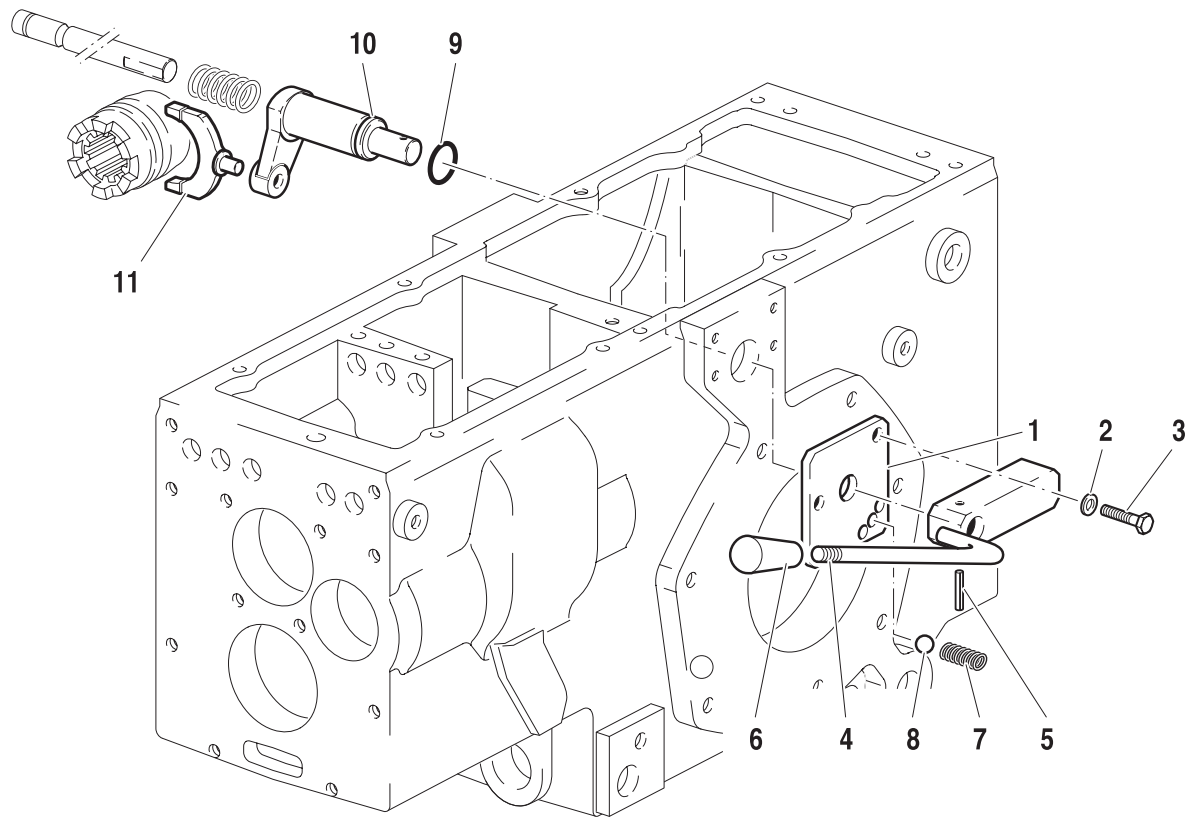
Pos.	Code	Q.ty	Description	Notes
1	F0802700150	1	SEAL 125x150x12	
2	F0812973000	1	BEARING 32011X	
3	51172508	1	HUB	
4/1	52471533	1	CROWN WHEEL	
4/2	52473920	1	CROWN WHEEL	
5	56371575	1	SHIM	
5	56371576	1	SHIM	
5	56371577	1	SHIM	
5	56371578	1	SHIM	
5	56371579	1	SHIM	
5	56373349	1	SHIM	
5	56373350	1	SHIM	
6	F0801346000	1	SEEGER RING E 48 UNI 7436	
7/1	56171568	1	ADJUSTING RING	
7/2	56173919	1	ADJUSTING RING	
8	F0862090000	1	SCREW M6X16 8.8	
9/1	59273878	1	COVER	
9/2	59273944	1	COVER	
10	58171567	1	SHIM	
11	58171653	1	ROLLER	
12/1	52471531	1	PLANETARY GEAR	
12/2	52473921	1	PLANETARY GEAR	
13	F0862655000	1	SCREW M8X25-5933	
14	56370081	1	PLUG	
15	F0844273090	1	GASKET 22X28X1,5 CU 99,5	



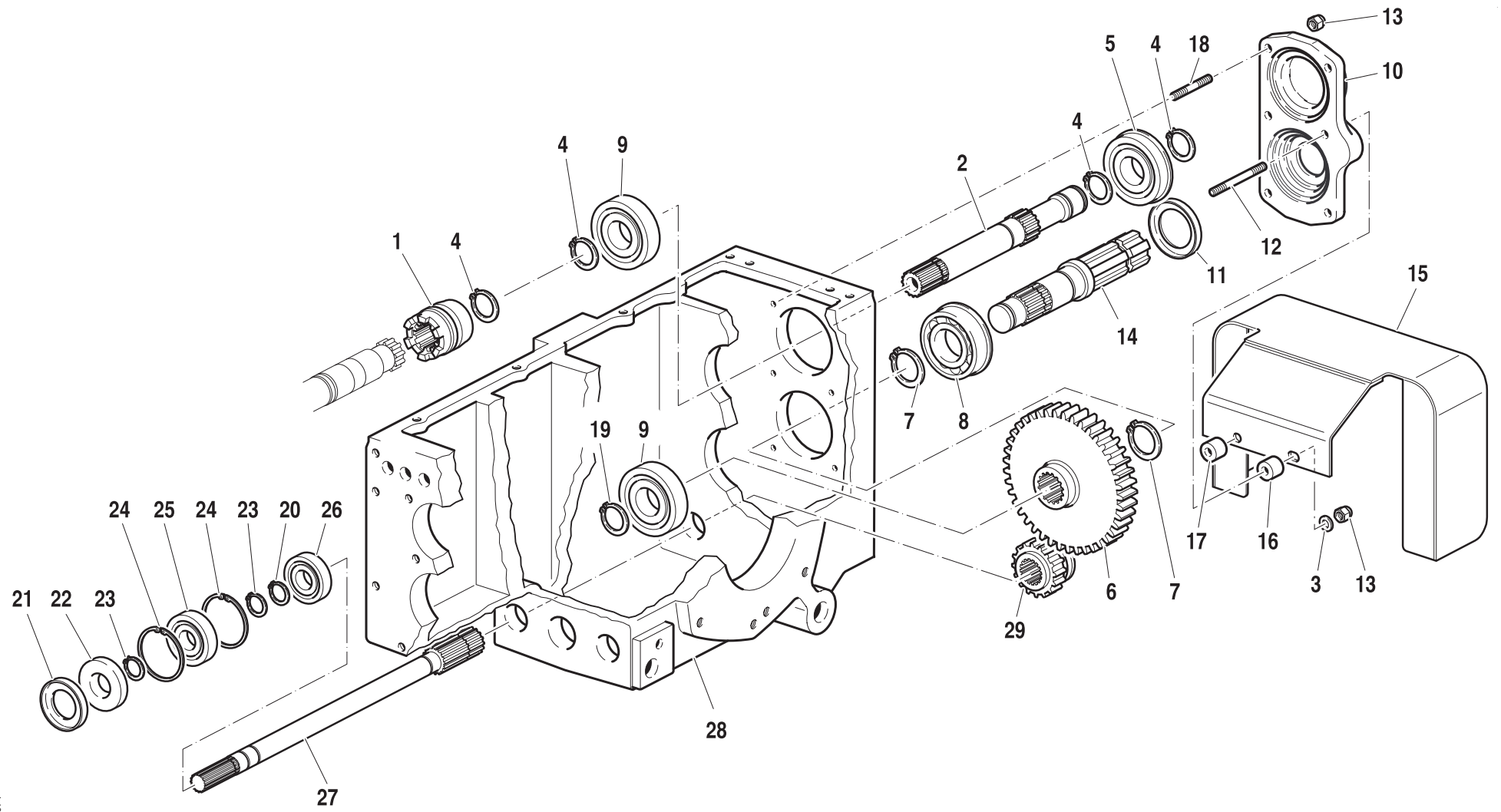
Pos.	Code	Q.ty	Description	Notes
1	59071808	1	PEDAL	
2	59071809	1	U BOLT	
3	56371810	1	HINGE PIN	
4	F0843643060	1	WASHER 8	
5	31111151	1	SCREW TE M8X16 UNI 5739 8G	
6	31112093	1	SCREW TE M6X20 UNI 5739 8G	
7	F0814535050	1	NUT M6	
8	F0810527000	1	SPLIT PIN A2,5X25 UNI 1336	
9	F0804051000	1	BUSHING 18X14/24,8	
10	F0803178000	1	O-RING 117	
11	56371646	1	LOCKING DEVICE	
12	F0851267050	1	PIN 6X30 DIN 7343 CL:C72	
13	51271647	1	FORK	
14	58070198	1	SPRING	



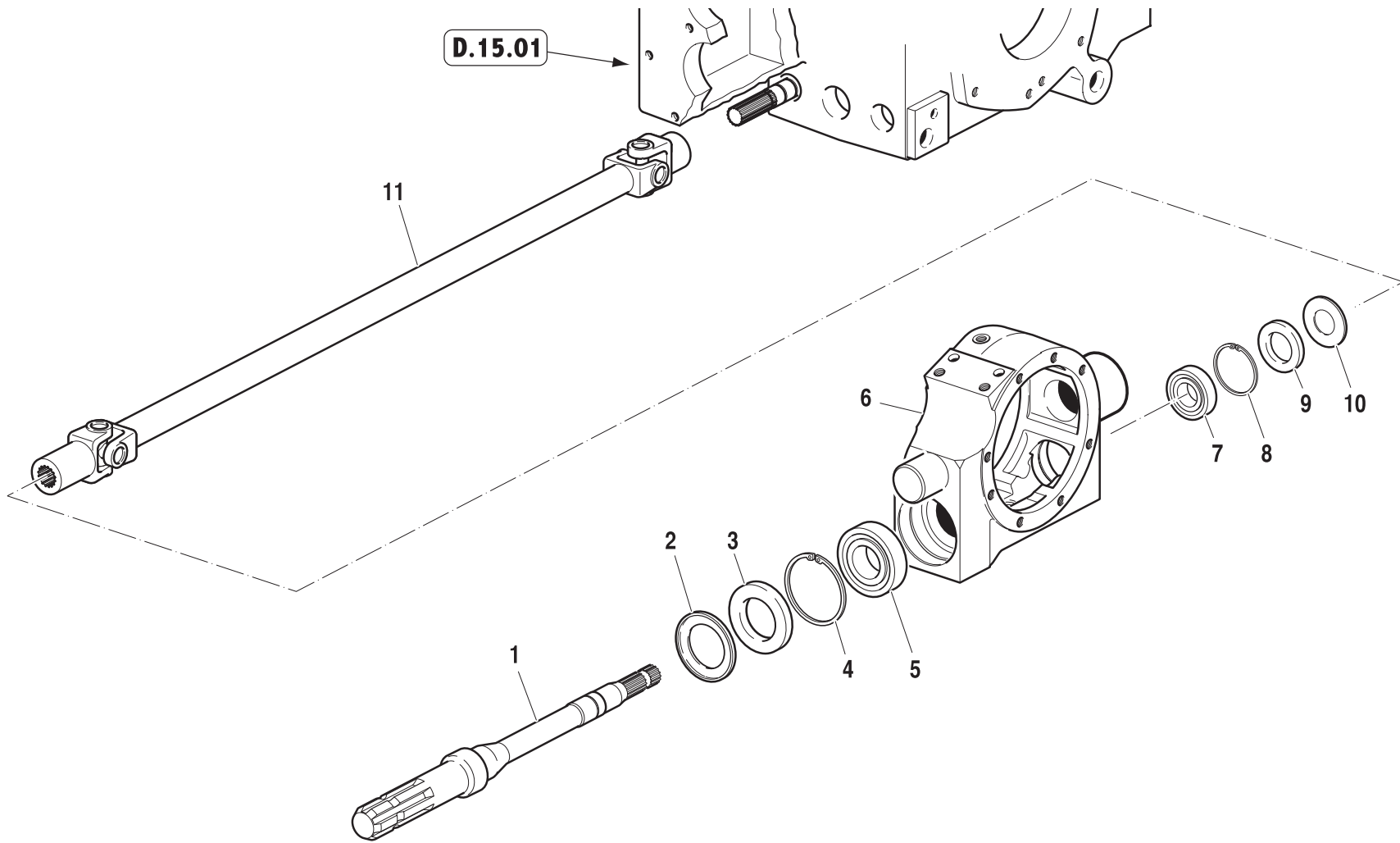
Pos.	Code	Q.ty	Description	Notes
1	52474190	1	GEAR SLEEVE	
2	52472933	1	PTO SHAFT	
3	F0812525100	1	BUSHING HK1210-B	
4	35121030	1	SEEGER RING E 30 DIN 471	
5	F0812779000	1	BEARING 6306-NR	
6	52474123	1	DRIVEN GEAR	
7	F0801264050	1	SEEGER RING E 35X2,5 U/7436	
8	F0812849100	1	BEARING 6207-NR	
9	37111303	1	BEARING	
10	51171648	1	COVER	
11	F0802190010	1	SEAL 42x62/7	
12	F0838131000	1	STUD BOLT M8X20 UNI 5911 8.8	
13	F0814574000	1	NUT M8	
14	52472662	1	SHAFT	
15	59075077	1	P.T.O. PROTECTION	
16	56172079	1	SPACER	
17	56172080	1	SPACER	
18	F0838166018	1	STUD BOLT M8X45 UNI 5911 8.8	
19	F0843643060	1	WASHER 8	



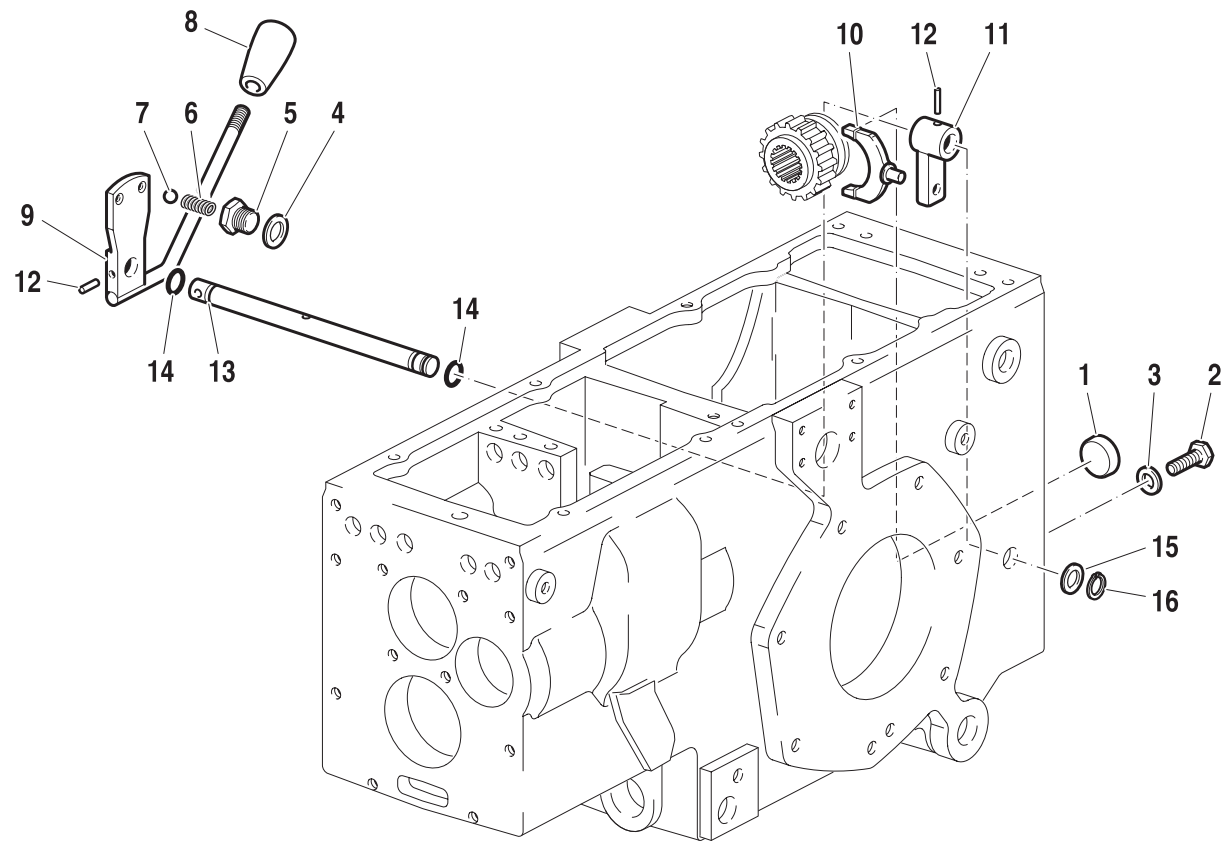
Pos.	Code	Q.ty	Description	Notes
1	59072754	1	PLATE	
2	F0843643060	1	WASHER 8	
3	31112150	1	SCREW TE M8X20 UNI 5739 8G	
4	59072761	1	LEVER	
5	34211054	1	ROLL PIN	
6	F0837534010	1	GRIP	
7	58070741	1	SPRING	
8	F0847434000	1	BALL	
9	38112200	1	O-RING 3087 (22,00X2,62)	
10	52371679	1	LEVER	
11	52472430	1	SELECTOR FORK	



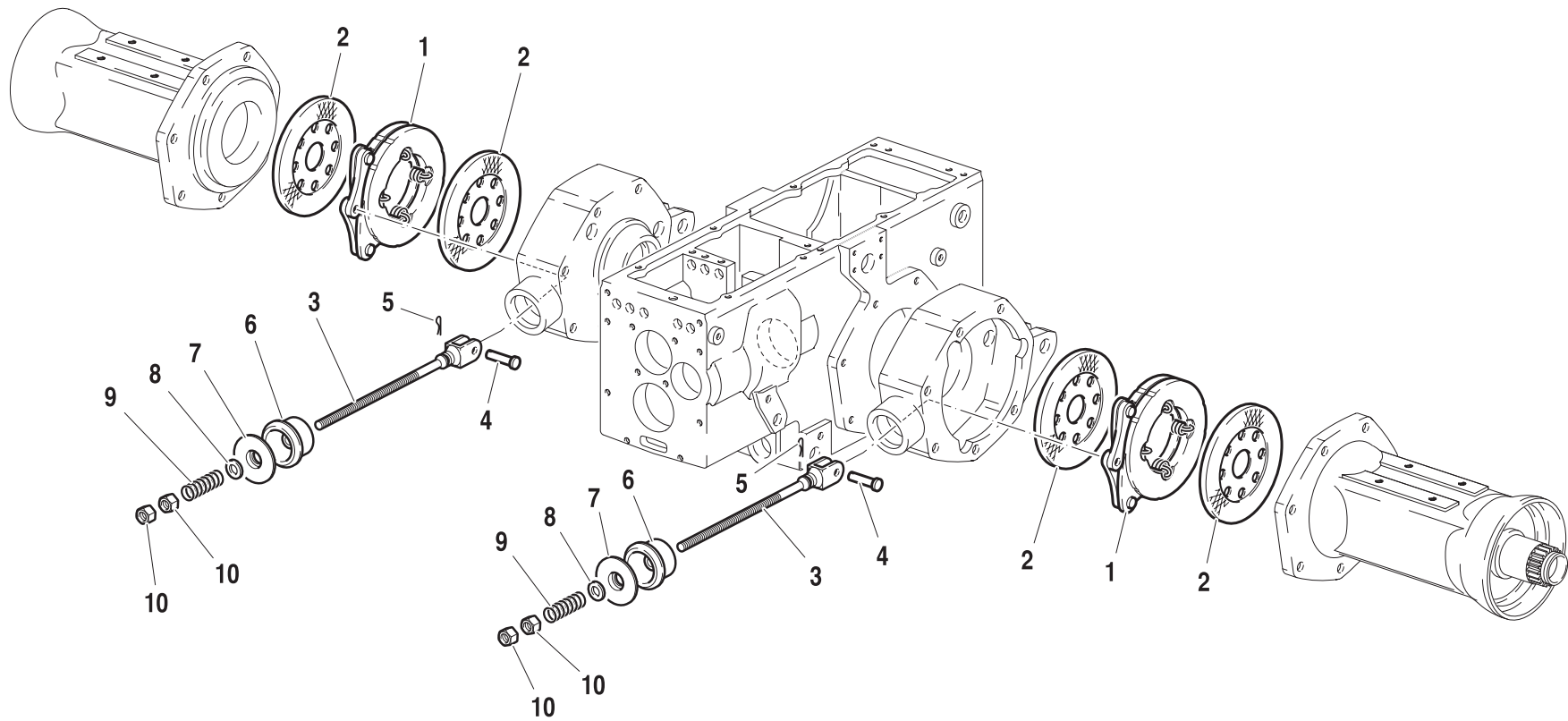
Pos.	Code	Q.ty	Description	Notes
1	52474190	1	GEAR SLEEVE	
2	52474110	1	PTO SHAFT Z=13	
3	F0843643060	1	WASHER 8	
4	35121030	1	SEEGER RING E 30 DIN 471	
5	F0812779000	1	BEARING 6306-NR	
6	52474123	1	DRIVEN GEAR	
7	F0801264050	1	SEEGER RING E 35X2,5 U/7436	
8	F0812849100	1	BEARING 6207-NR	
9	37111303	1	BEARING	
10	51171648	1	COVER	
11	F0802190010	1	SEAL 42x62/7	
12	F0838131000	1	STUD BOLT M8X20 UNI 5911 8.8	
13	F0814574000	1	NUT M8	
14	52474112	1	P.T.O. STUB	
15	59072076	1	P.T.O. PROTECTION	
16	56172079	1	SPACER	
17	56172080	1	SPACER	
18	F0838166018	1	STUD BOLT M8X45 UNI 5911 8.8	
19	F0801241010	1	SEEGER RING E 30 UNI 7436	
20	F0801149000	1	SEEGER RING E 20 UNI 7435	
21	56173490	1	PROTECTIVE RING D=52	
22	38212200	1	OIL SEAL 20x52/10	
23	F0801149010	1	SEEGER RING E 20 7436D/471-2	
24	F0801368000	1	SEEGER RING I 52 UNI 7437	
25	F0812646000	1	BEARING 6304 SF (20x52x15)	
26	F0812638075	1	BEARING NUP 204 (20X47/14)	
27	52474113	1	PTO SHAFT	
28	51174121	1	GEAR BOX	
29	52474111	1	DRIVEN GEAR	



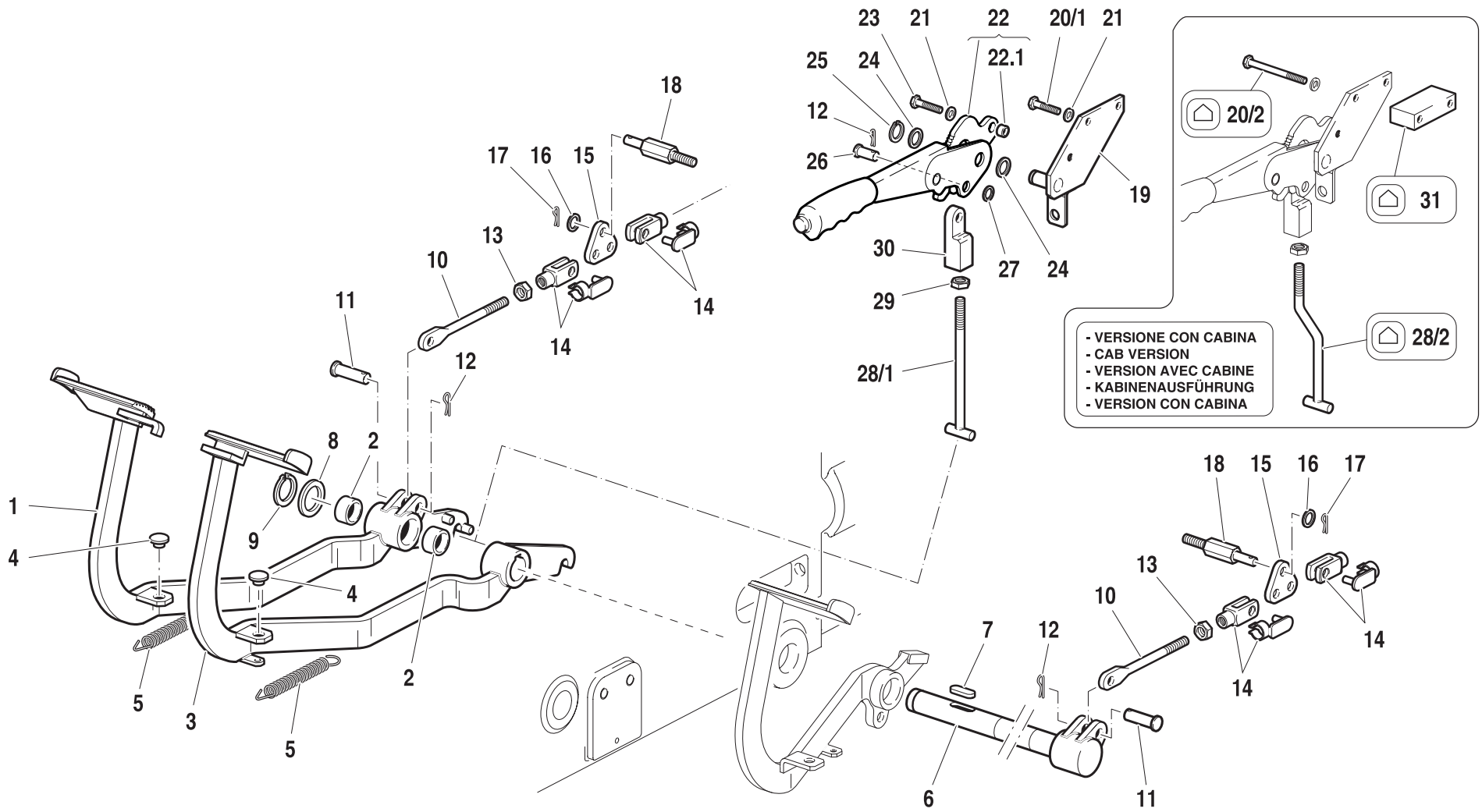
Pos.	Code	Q.ty	Description	Notes
1	56275339	1	SHAFT	
2	56175342	1	PROTECTIVE RING D=72	
3	F0802205060	1	SEAL 45x72/10	
4	35111072	1	SEEGER RING I 72 DIN 472	
5	37111353	1	BEARING	
6	51175172	1	FRONT AXLE HOUSING	
7	37111255	1	BEARING	
8	35111052	1	SEEGER RING I 52 DIN 472	
9	F0802100050	1	SEAL 25x52/7	
10	56173490	1	PROTECTIVE RING D=52	
11	58176080	1	CONSTANT VEL. JOINT	



Pos.	Code	Q.ty	Description	Notes
1	58074125	1	PLUG	
2	31112212	1	SCREW TE M10X35 UNI 5739	
3	F0843754080	1	COPPER WASHER 10,5x16/1,5	
4	F0844126050	1	COPPER WASHER	
5	56174116	1	CASING	
6	58070741	1	SPRING	
7	F0847434000	1	BALL	
8	F0837534060	1	GRIP	
9	59076044	1	LEVER	
10	52472430	1	SELECTOR FORK	
11	59074118	1	LEVER	
12	F0851190000	1	PIN 5X30 DIN 1481 CL:C72	
13	56174117	1	ROD	
14	F0803059000	1	O-RING 114	
15	31411150	1	WASHER 15x28	
16	35121014	1	SEEGER RING E 14 DIN 471	



Pos.	Code	Q.ty	Description	Notes
1	58171706	1	BRAKE	
2	58171707	1	BRAKE DISC	
3	52373252	1	ROD	
4	56471709	1	PIN	
5	F0810510000	1	SPLIT PIN A2,0X20 UNI 1336	
6	55170047	1	BOOT	
7	56170043	1	COVER	
8	31411130	1	WASHER 13x24	
9	58070366	1	RETAINING SPRING	
10	F0814689020	1	NUT M12 UNI 5589 CL:8	



Pos.	Code	Q.ty	Description	Notes
1	59075619	1	BRAKE PEDAL	
2	58173248	1	BUSHING	
3	59073623	1	BRAKE PEDAL	
4	F0822537050	1	BUFFER	
5	58070790	1	RESTORING SPRING	
6	59073255	1	SHAFT	
7	F0806522000	1	KEY A8X7X25 UNI 6604	
8	F0844374000	1	WASHER 25,0x35/2	
9	35131026	1	SEEGER RING E 25X2 UNI 7436	
10	56373251	1	ROD	
11	56471813	1	PIN	
12	F0810510000	1	SPLIT PIN A2,0X20 UNI 1336	
13	F0814689020	1	NUT M12 UNI 5589 CL:8	
14	F0860091050	1	COMPLETE FORK	
15	56373253	1	PLATE	
16	31411130	1	WASHER 13x24	
17	34110030	1	SPLIT PIN	
18	56373627	1	PIN	
19	59075443	1	SUPPORT	
20/1	31112147	1	SCREW TE M8X18 UNI 5739 8G	
20/2	31112155	1	SCREW TE M8X45 UNI 5739 8G	
21	F0843643060	1	WASHER 8	
22	58171215	1	HANDBRAKE LEVER	
22.1	56171936	1	SPACER	
23	31112151	1	SCREW TE M8X25 UNI 5739 8G	
24	31411150	1	WASHER 15x28	
25	F0801095000	1	SEEGER RING E 14 7435	
26	56470365	1	PIN	
27	31411105	1	WASHER 10,5x21	
28/1	56375444	1	HANDBRAKE TIE-ROD	
28/2	56375543	1	HANDBRAKE TIE-ROD	
29	F0814627000	1	NUT M10	
30	56371721	1	SMALL BLOCK	
31	56175544	1	SPACER	

SERIAL

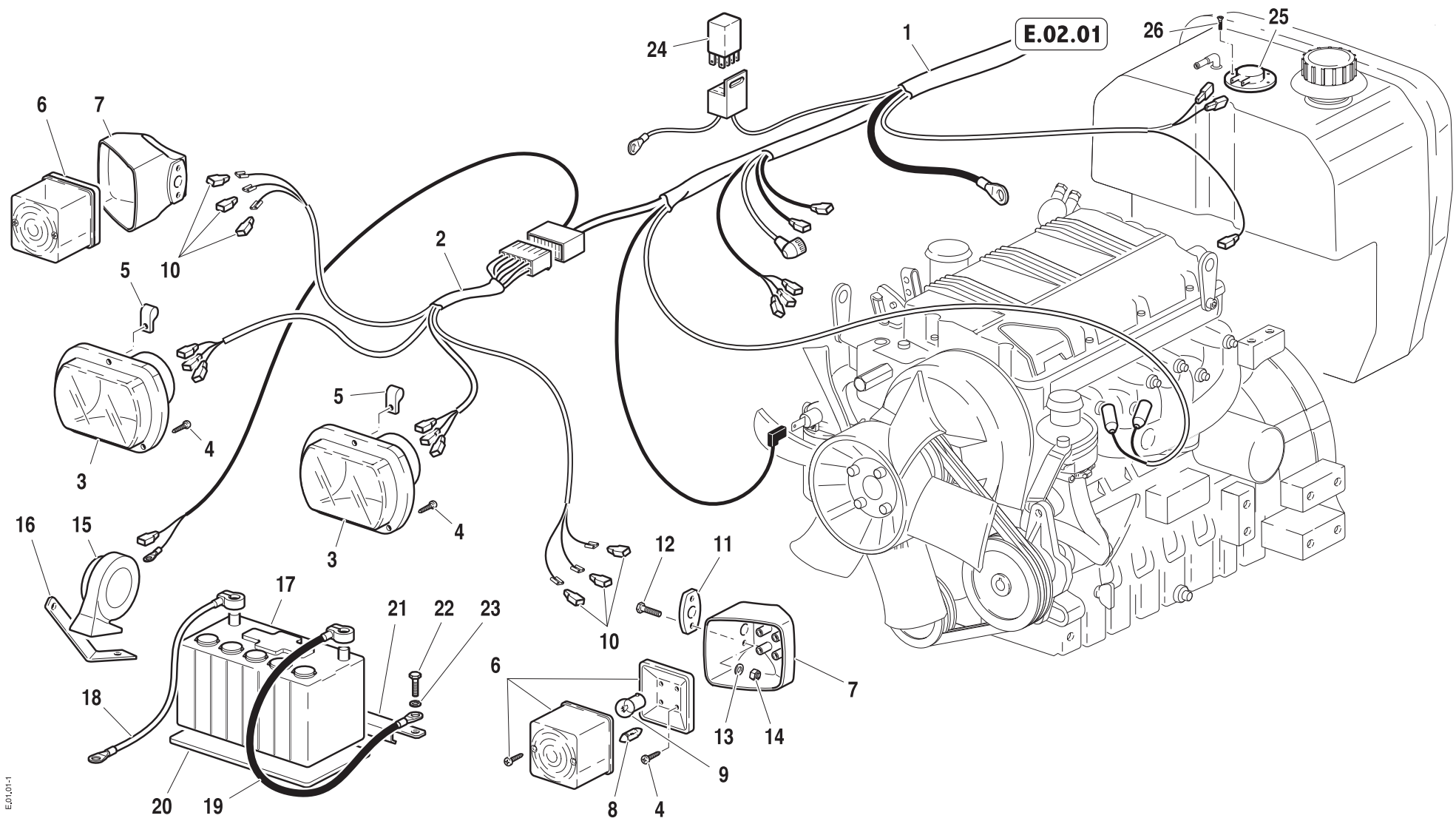
BRAKES CONTROL UNITS

Version: 30-40CV

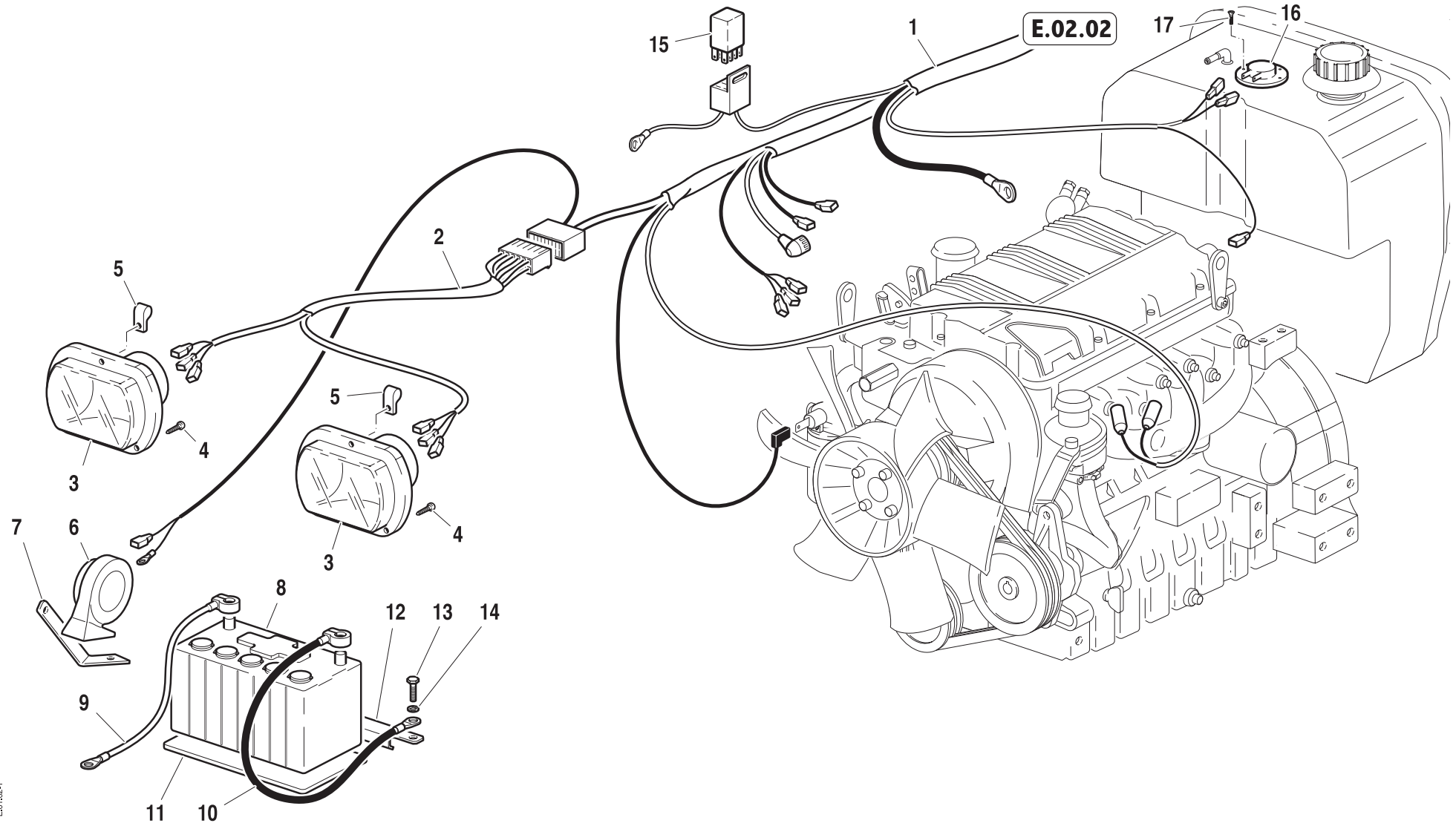
CODE REV

D.19.01_1_20925

E.02.01



Pos.	Code	Q.ty	Description	Notes
1	58074169	1	RUBBER-COATED CABLE	
2	58073234	1	CABLE	
3	F0825404050	1	HEADLIGHT	
4	F0861867001	1	SCREW M4,2X16 DIN 7981	
5	F0825415050	1	CLAMP	
6	F0825500000	1	HEADLIGHT	
7	55073540	1	SUPPORT	
8	F0825440100	1	LAMP	
9	F0825440110	1	LAMP	
10	F0825407010	1	SHEATH	
11	57370998	1	BLOCK	
12	31112089	1	SCREW TE M6X25 UNI 5739 8G	
13	F0843570000	1	WASHER 6	
14	31211060	1	NUT M6	
15	F0825417000	1	HORN	
16	56174160	1	SMALL PLATE	
17	F0825470050	1	BATTERY	
18	58071313	1	CABLE	
19	58073565	1	CABLE	
20	57370321	1	RUBBER	
21	56173343	1	CROSS MEMBER	
22	31111151	1	SCREW TE M8X16 UNI 5739 8G	
23	F0843643060	1	WASHER 8	
24	F0834378001	1	CENTRAL PROCESSING UNIT	
25	58173187	1	CONTROL	
26	F0861867050	1	SCREW M4,2X19 DIN 7981	



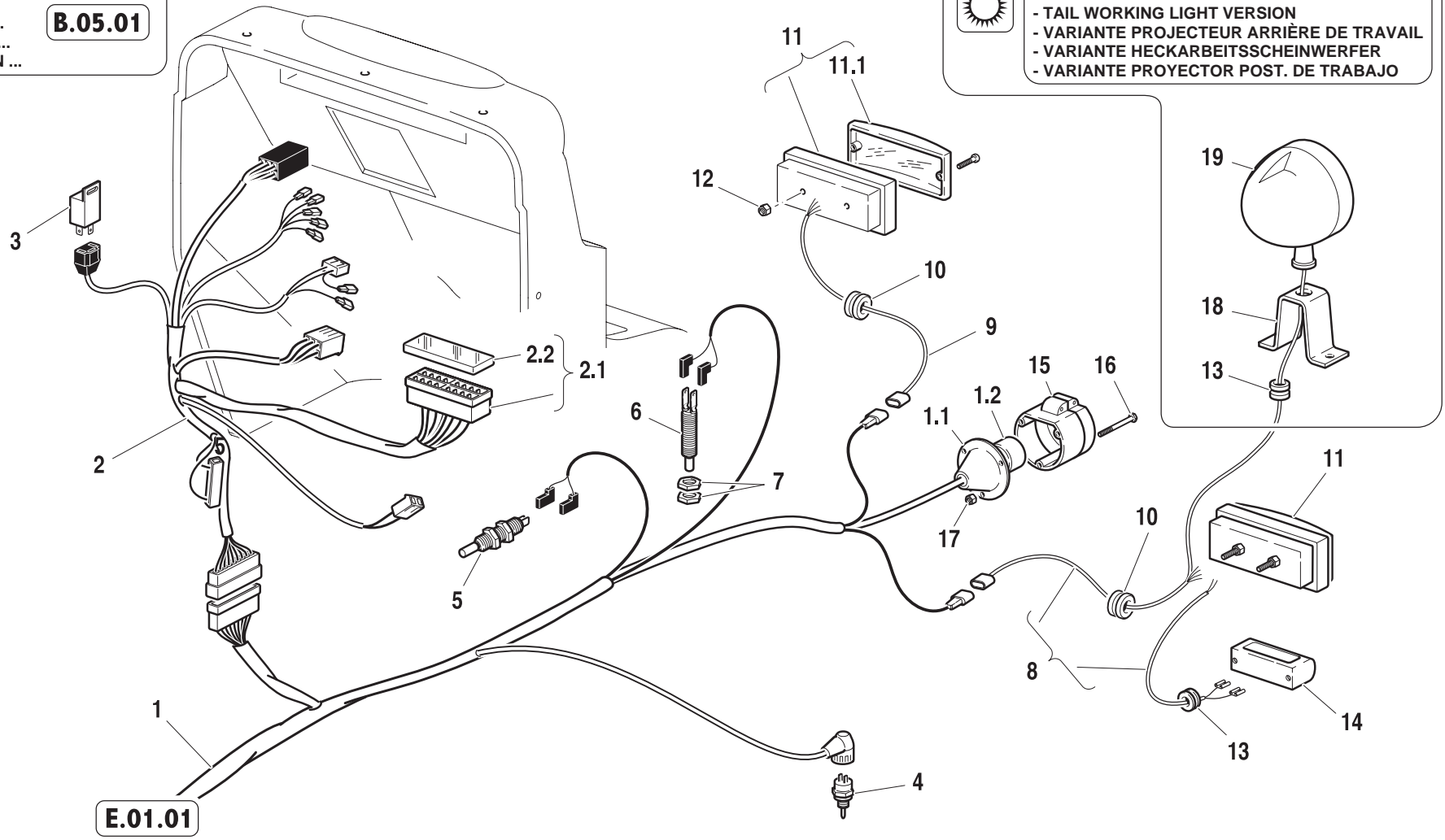
Pos.	Code	Q.ty	Description	Notes
1	58074854	1	CABLE	
2	58073763	1	CABLE	
3	F0825404050	1	HEADLIGHT	
4	F0861867001	1	SCREW M4,2X16 DIN 7981	
5	F0825415050	1	CLAMP	
6	F0825417000	1	HORN	
7	56174160	1	SMALL PLATE	
8	F0825470050	1	BATTERY	
9	58071313	1	CABLE	
10	58073565	1	CABLE	
11	57370321	1	RUBBER	
12	56173343	1	CROSS MEMBER	
13	31111151	1	SCREW TE M8X16 UNI 5739 8G	
14	F0843643060	1	WASHER 8	
15	F0834378001	1	CENTRAL PROCESSING UNIT	
16	58173187	1	CONTROL	
17	F0861867050	1	SCREW M4,2X19 DIN 7981	

- VEDI ANCHE ...
 - SEE ALSO ...
 - VOIR AUSSI ...
 - SIEHE AUCH ...
 - VER TAMBIEN ...

B.05.01



- VARIANTE PROIETTORE POSTERIORE
 - TAIL WORKING LIGHT VERSION
 - VARIANTE PROJECTEUR ARRIÈRE DE TRAVAIL
 - VARIANTE HECKARBEITSSCHEINWERFER
 - VARIANTE PROYECTOR POST. DE TRABAJO

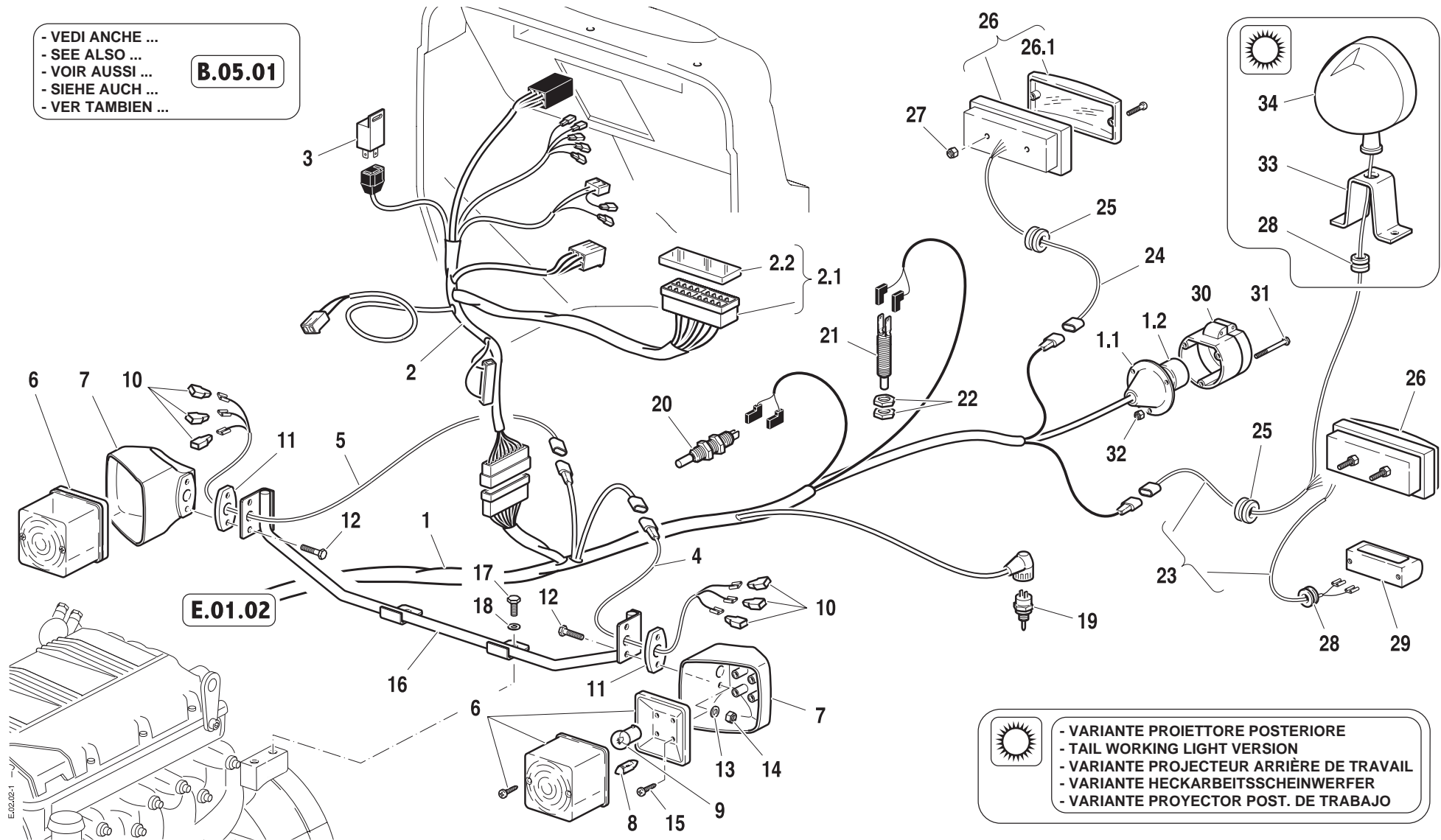


E.01.01


Pos.	Code	Q.ty	Description	Notes
1	58074169	1	RUBBER-COATED CABLE	
1.1	58170572	1	CAP	
1.2	58170571	1	ATTACHMENT PLUG	
2	58073344	1	CABLE	
2.1	58170453	1	FUSE BOX	
2.2	58172267	1	COVER	
3	F0825139000	1	FLASHER	
4	F0825117000	1	SWITCH	
5	F0825488000	1	SWITCH	
6	58173230	1	PUSH-BUTTON	
7	F0814744050	1	NUT M14X1,5	
8	58073235	1	CABLE	
9	58073236	1	CABLE	
10	58170947	1	CABLE GLAND	
11	F0825420600	1	LAMP	
11.1	F0825420660	1	GLASS	
12	F0814529080	1	SELFLOCK NUT M5	
13	F0825414000	1	CABLE GLAND 7-15-18,5-2,5	
14	30000506	1	LAMP	
15	F0825438000	1	SOCKET	
16	F0861941000	1	SCREW M5X35 UNI 6107	
17	31211050	1	NUT M5	
18	F0190035152	1	SUPPORT	
19	F0825493000	1	HEADLIGHT	

- VEDI ANCHE ...
 - SEE ALSO ...
 - VOIR AUSSI ...
 - SIEHE AUCH ...
 - VER TAMBIEN ...

B.05.01



E.01.02

 - VARIANTE PROIETTORE POSTERIORE
 - TAIL WORKING LIGHT VERSION
 - VARIANTE PROJECTEUR ARRIERE DE TRAVAIL
 - VARIANTE HECKARBEITSSCHEINWERFER
 - VARIANTE PROYECTOR POST. DE TRABAJO

Pos.	Code	Q.ty	Description	Notes
1	58074854	1	CABLE	
1.1	58170572	1	CAP	
1.2	58170571	1	ATTACHMENT PLUG	
2	58073344	1	CABLE	
2.1	58170453	1	FUSE BOX	
2.2	58172267	1	COVER	
3	F0825139000	1	FLASHER	
4	58073766	1	CABLE	
5	58075998	1	CABLE	
6	F0825500000	1	HEADLIGHT	
7	55073540	1	SUPPORT	
8	F0825440100	1	LAMP	
9	F0825440110	1	LAMP	
10	F0825407010	1	SHEATH	
11	57370998	1	BLOCK	
12	31112089	1	SCREW TE M6X25 UNI 5739 8G	
13	F0843570000	1	WASHER 6	
14	31211060	1	NUT M6	
15	F0861867001	1	SCREW M4,2X16 DIN 7981	
17	31112147	1	SCREW TE M8X18 UNI 5739 8G	
18	F0843643060	1	WASHER 8	
19	F0825117000	1	SWITCH	
20	F0825488000	1	SWITCH	
21	58173230	1	PUSH-BUTTON	
22	F0814744050	1	NUT M14X1,5	
23	58073235	1	CABLE	
24	58073236	1	CABLE	
25	58170947	1	CABLE GLAND	
26	F0825420600	1	LAMP	
26.1	F0825420660	1	GLASS	
27	F0814529080	1	SELFLOCK NUT M5	
28	F0825414000	1	CABLE GLAND 7-15-18,5-2,5	
29	30000506	1	LAMP	
30	F0825438000	1	SOCKET	

SERIAL

500025

CENTRAL AND REAR ELECTRICAL SYSTEM

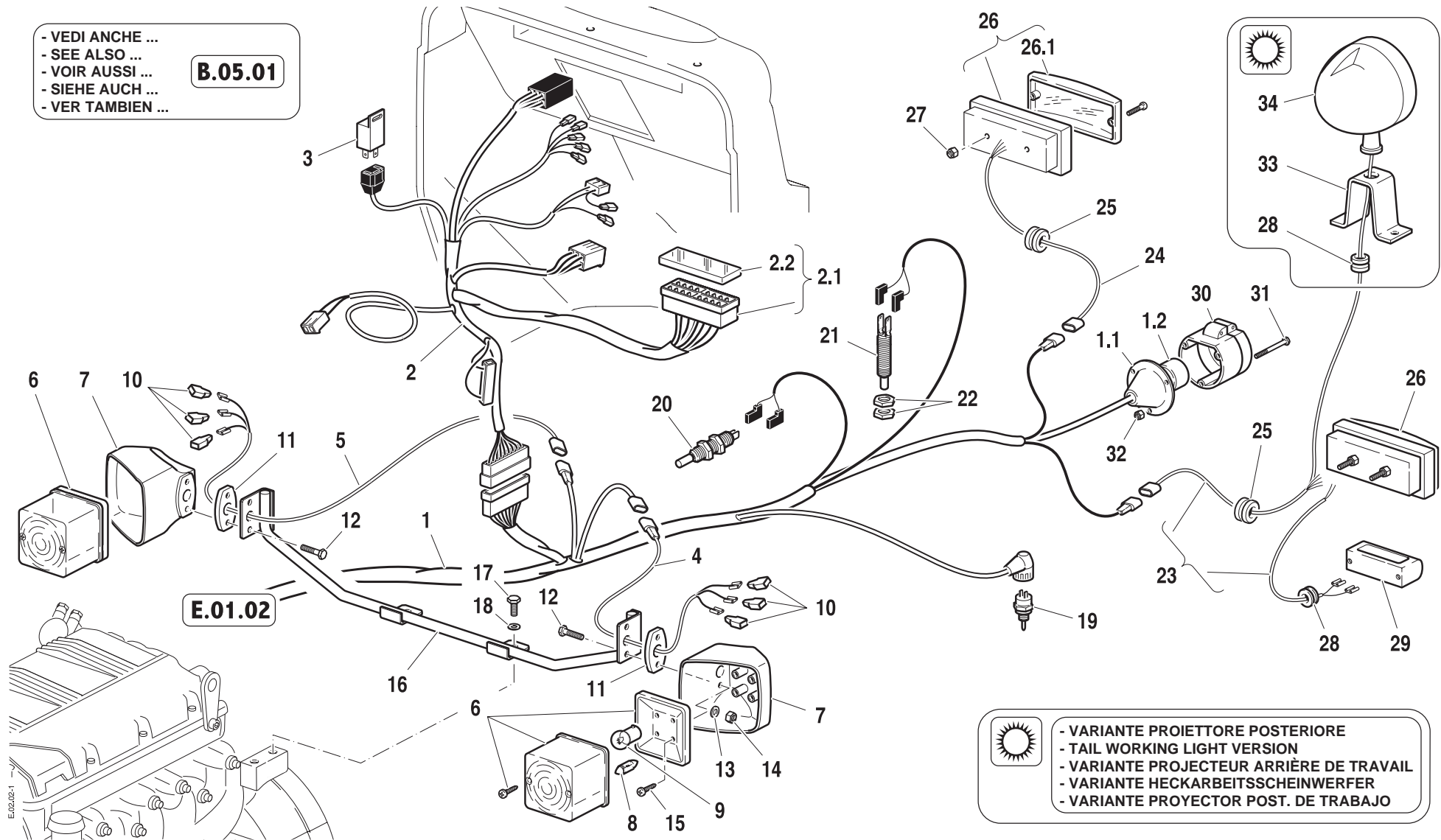
Version: 30-40CV


CODE REV

E.02.02_1_21030

- VEDI ANCHE ...
 - SEE ALSO ...
 - VOIR AUSSI ...
 - SIEHE AUCH ...
 - VER TAMBIEN ...

B.05.01



 - VARIANTE PROIETTORE POSTERIORE
 - TAIL WORKING LIGHT VERSION
 - VARIANTE PROJECTEUR ARRIERE DE TRAVAIL
 - VARIANTE HECKARBEITSSCHEINWERFER
 - VARIANTE PROYECTOR POST. DE TRABAJO

Pos.	Code	Q.ty	Description	Notes
31	F0861941000	1	SCREW M5X35 UNI 6107	
32	31211050	1	NUT M5	
33	F0190035152	1	SUPPORT	
34	F0825493000	1	HEADLIGHT	

SERIAL

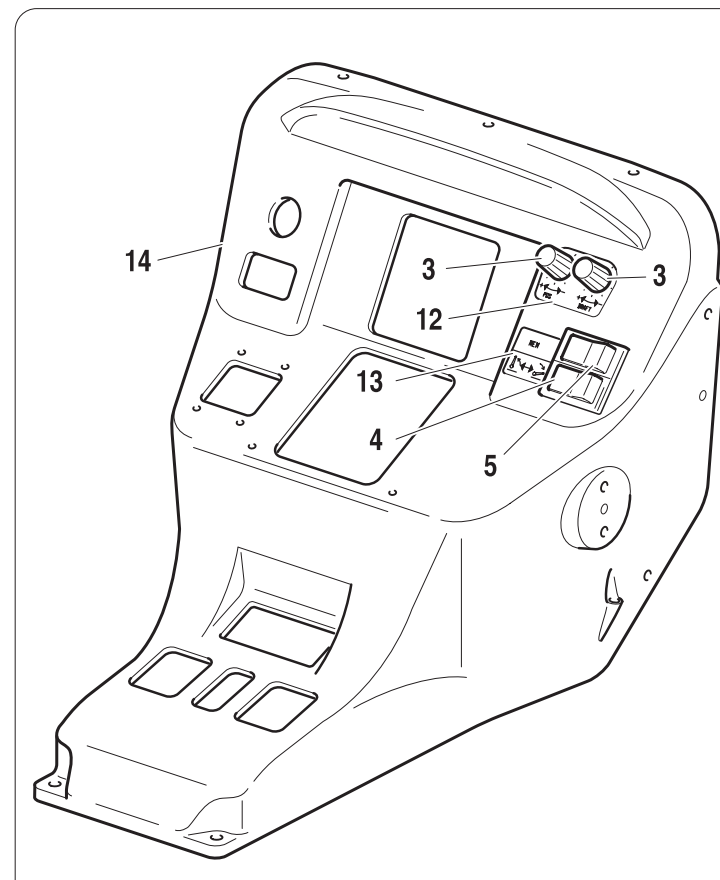
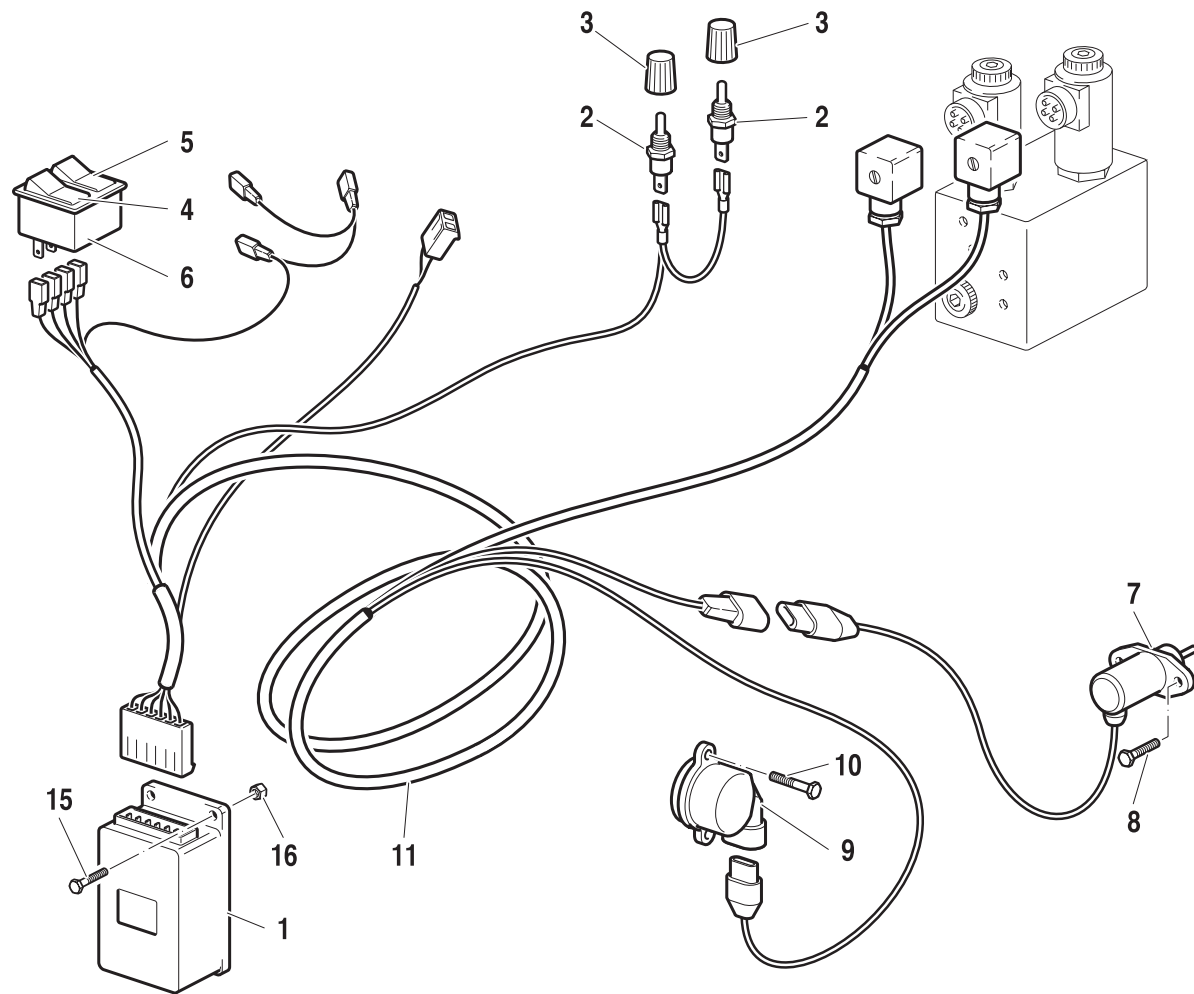
500025

CENTRAL AND REAR ELECTRICAL SYSTEM

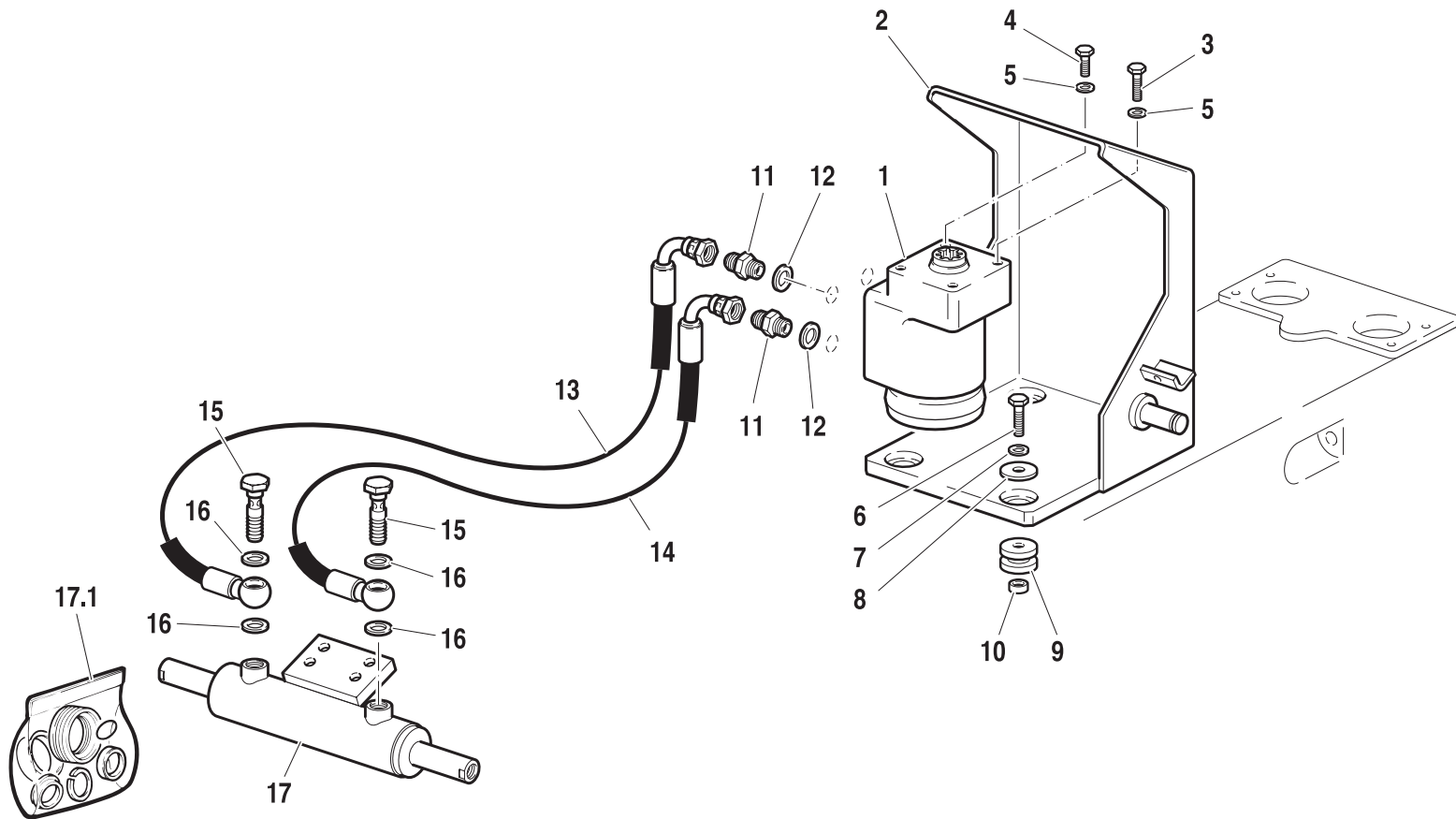
Version: 30-40CV

CODE REV

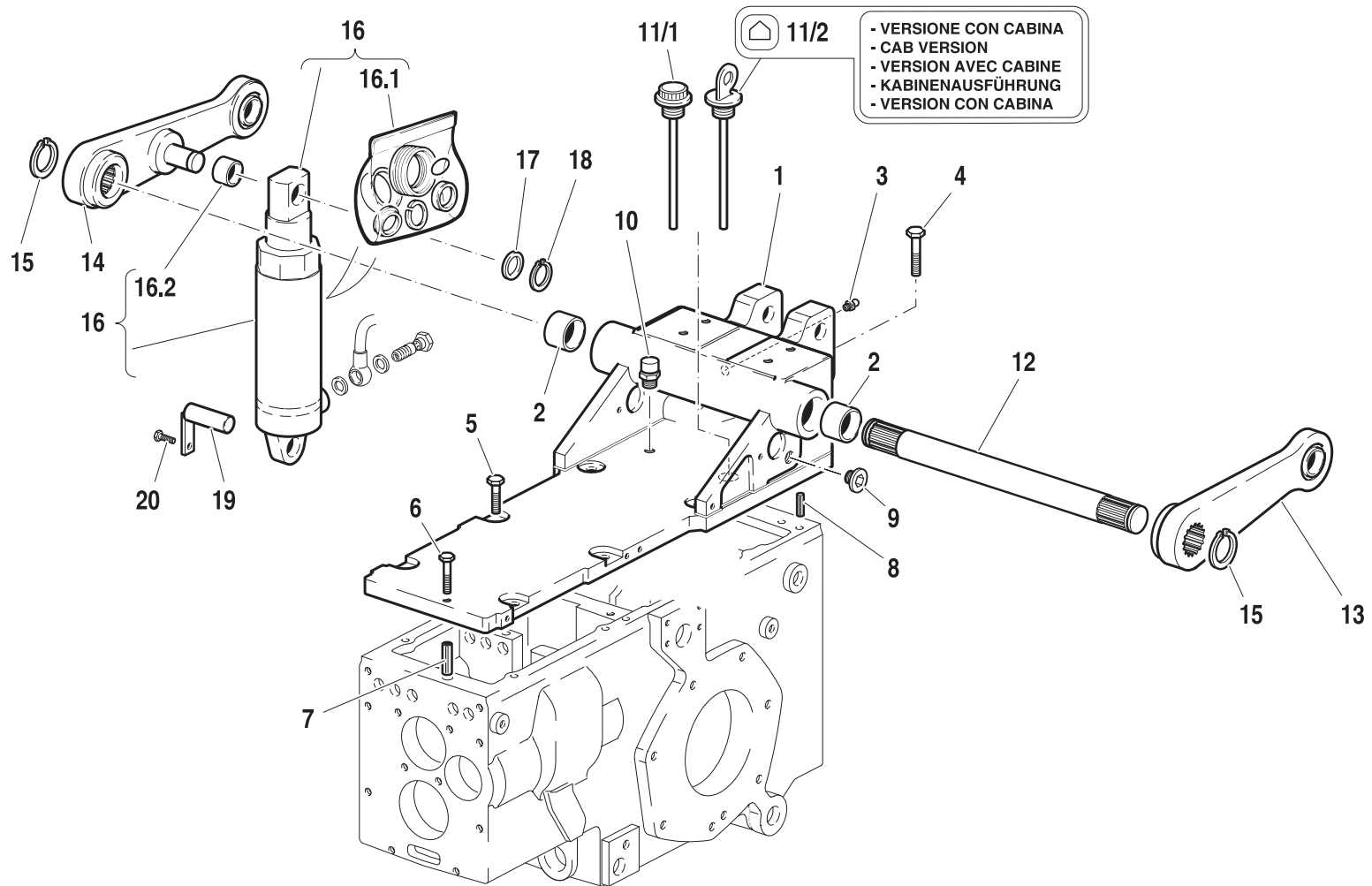
E.02.02_1_21030



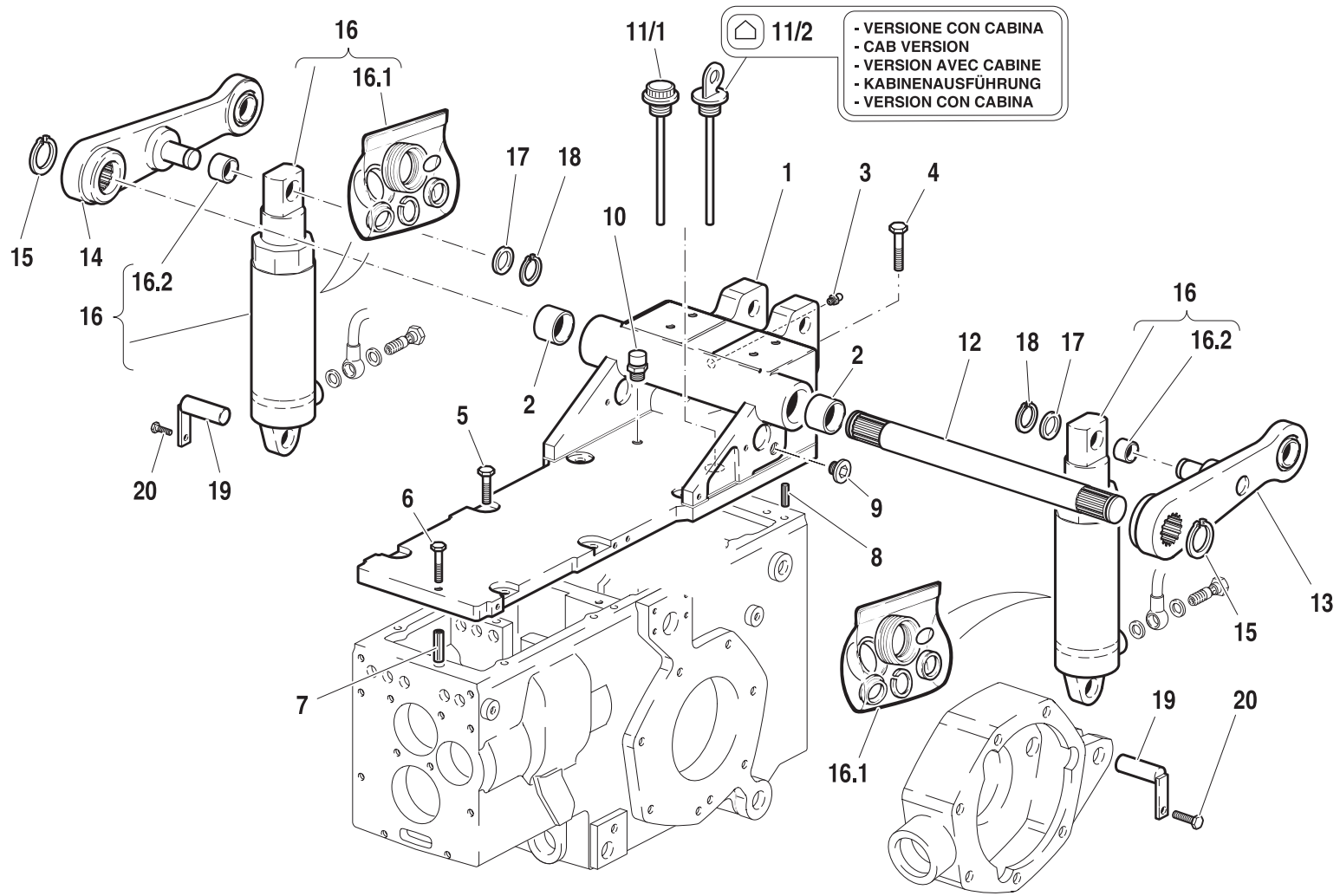
Pos.	Code	Q.ty	Description	Notes
1	58173144	1	CENTRAL PROCESSING UNIT	
2	58173866	1	POTENTIOMETER	
3	58172978	1	KNOB	
4	58172979	1	CHANGE-OVER SWITCH	
4.1	58173118	1	SWITCH	
4.2	58173123	1	GLASS	
5	58172980	1	CHANGE-OVER SWITCH	
5.1	58173117	1	SWITCH	
5.2	58173119	1	LAMP	
5.3	58173122	1	GLASS	
6	58170376	1	TERMINAL FOR SWITCH	
7	59073060	1	SENSOR	
8	F0861929060	1	SCREW M5X12 UNI 5739	
9	58172982	1	SENSOR	
10	31112049	1	SCREW TE M4X10 UNI 5739 8G	
11	58173865	1	WIRING	
12	58073018	1	PLATE	
13	58073019	1	PLATE	
14	57374245	1	INSTRUMENT PANEL	
15	31111084	1	SCREW TE M4X16 UNI 5739 8G	
16	31211040	1	NUT M4	



Pos.	Code	Q.ty	Description	Notes
1	58173164	1	HYDROSTEERING	
2	59076051	1	SUPPORT	
3	31112219	1	SCREW TE M10X25 UNI 5739	
4	31112210	1	SCREW TE M10X20 UNI 5739	
5	F0843755000	1	WASHER 10	
6	F0862694000	1	SCREW M8X170 UNI 5737	
7	F0843643060	1	WASHER 8	
8	31411090	1	WASHER 9x24	
9	55175174	1	BLOCK	
10	56171996	1	SPACER	
11	F0835040000	1	NIPPLE	
12	F0824141000	1	COPPER WASHER 21x27/1,5	
13	58073563	1	FLEXIBLE HOSE	
14	58073498	1	FLEXIBLE HOSE	
15	F0843107000	1	PIPE FITTING GAS 1/4	
16	F0843907000	1	COPPER WASHER 13,66x19/1,5	
17	58173603	1	STEERING CYLINDER	
17.1	59900243	1	GASKET SET	



Pos.	Code	Q.ty	Description	Notes
1	51171641	1	SUPPORT	
2	58171861	1	BUSHING	
3	F0826056000	1	LUBRICATOR M10 UNI 7663A	
4	31112212	1	SCREW TE M10X35 UNI 5739	
5	31112219	1	SCREW TE M10X25 UNI 5739	
6	31112154	1	SCREW TE M8X40 UNI 5739 8G	
7	56170017	1	PIN	
8	56370228	1	CYLINDRICAL PLUG	
9	58072045	1	PLUG	
10	30040005	1	PLUG	
11/1	58071805	1	PLUG	
11/2	58075547	1	OIL LEVEL ROD	
12	56571785	1	SHAFT	
13	59072829	1	LIFTING ARM	
14	59071771	1	RIGHT ARM	
15	F0801264050	1	SEEGER RING E 35X2,5 U/7436	
16	58071534	1	LIFTING CYLINDER	
16.1	59900181	1	GASKET SET	
16.2	59900180	1	BUSHING	
17	56172905	1	THRUST PLATE	
18	F0801149010	1	SEEGER RING E 20 7436D/471-2	
19	59071786	1	HINGE PIN	
20	31111151	1	SCREW TE M8X16 UNI 5739 8G	



Pos.	Code	Q.ty	Description	Notes
1	51171641	1	SUPPORT	
2	58171861	1	BUSHING	
3	F0826056000	1	LUBRICATOR M10 UNI 7663A	
4	31112212	1	SCREW TE M10X35 UNI 5739	
5	31112219	1	SCREW TE M10X25 UNI 5739	
6	31112154	1	SCREW TE M8X40 UNI 5739 8G	
7	56170017	1	PIN	
8	56370228	1	CYLINDRICAL PLUG	
9	58072045	1	PLUG	
10	30040005	1	PLUG	
11/1	58071805	1	PLUG	
11/2	58075547	1	OIL LEVEL ROD	
12	56571785	1	SHAFT	
13	59071783	1	LIFTING ARM	
14	59071771	1	RIGHT ARM	
15	F0801264050	1	SEEGER RING E 35X2,5 U/7436	
16	58071534	1	LIFTING CYLINDER	
16.1	59900181	1	GASKET SET	
16.2	59900180	1	BUSHING	
17	56172905	1	THRUST PLATE	
18	F0801149010	1	SEEGER RING E 20 7436D/471-2	
19	59071786	1	HINGE PIN	
20	31111151	1	SCREW TE M8X16 UNI 5739 8G	

SERIAL

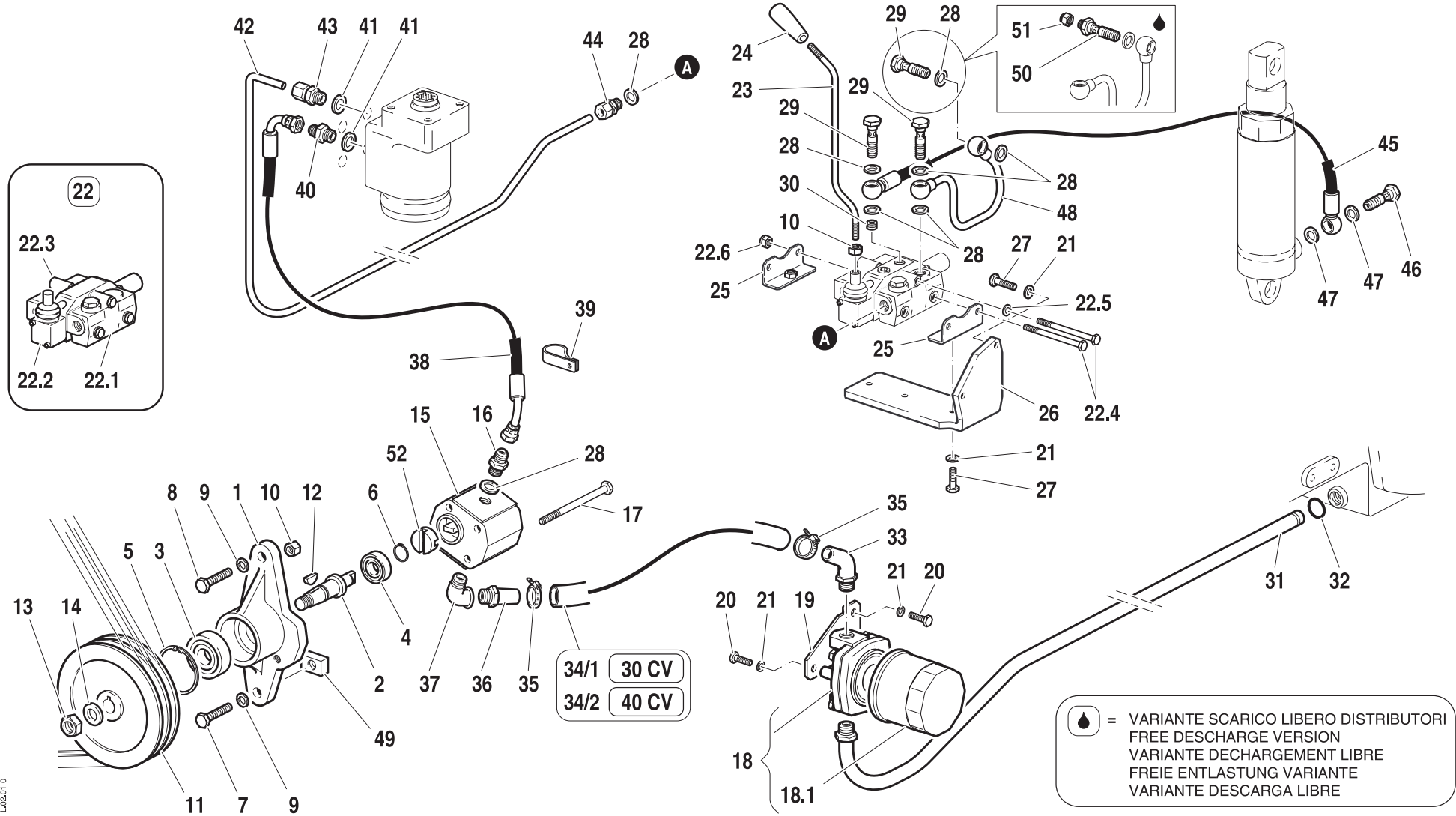
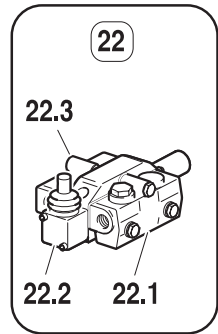
500004

HYDRAULIC LIFT (2 LIFTING JACKS VERSION)

Version: 30-40CV

CODE REV

L.01.02_0_21134



Pos.	Code	Q.ty	Description	Notes
1	51172830	1	SUPPORT	
2	56372831	1	SHAFT	
3	37112172	1	BEARING	
5	35111047	1	SEEGER RING I 47 DIN 472	
6	F0801127050	1	SEEGER RING E 17X1,5 U/7436	
7	F0863359000	1	SCREW M10X40 UNI 5737	
8	F0863449000	1	SCREW M10X50 UNI 5737	
9	F0843755000	1	WASHER 10	
10	31211100	1	NUT M10	
11	51172832	1	PULLEY	
12	58172914	1	KEY	
13	F0814688010	1	NUT M12X1,5	
14	58172915	1	WASHER	
15	58174697	1	PUMP	
16	F0835024010	1	NIPPLE	
17	31112174	1	SCREW TE M8X110 UNI 5737 8.8	
18	58173337	1	FILTER	
18.1	58173642	1	FILTER INSERT	
19	56173338	1	FILTER SUPPORT	
20	31111151	1	SCREW TE M8X16 UNI 5739 8G	
21	F0843643060	1	WASHER 8	
22	58174699	1	DISTR.COM.SOLL.30-40DT *	
22.1	58174700	1	HEAD	
22.2	58172011	1	S.A. VALVE	
22.3	58172489	1	COVER	
22.4	58172490	1	ROD	
22.5	F0843643060	1	WASHER 8	
22.6	31211080	1	NUT M8	
23	56175567	1	COMMAND LEVER	
24	F0837534010	1	GRIP	
25	59072057	1	FIXING BRACKET	
26	56172561	1	RETAINER	
27	31112146	1	SCREW TE M8X22 UNI 5739 8G	
28	F0824110000	1	COPPER WASHER 3/8 GAS	

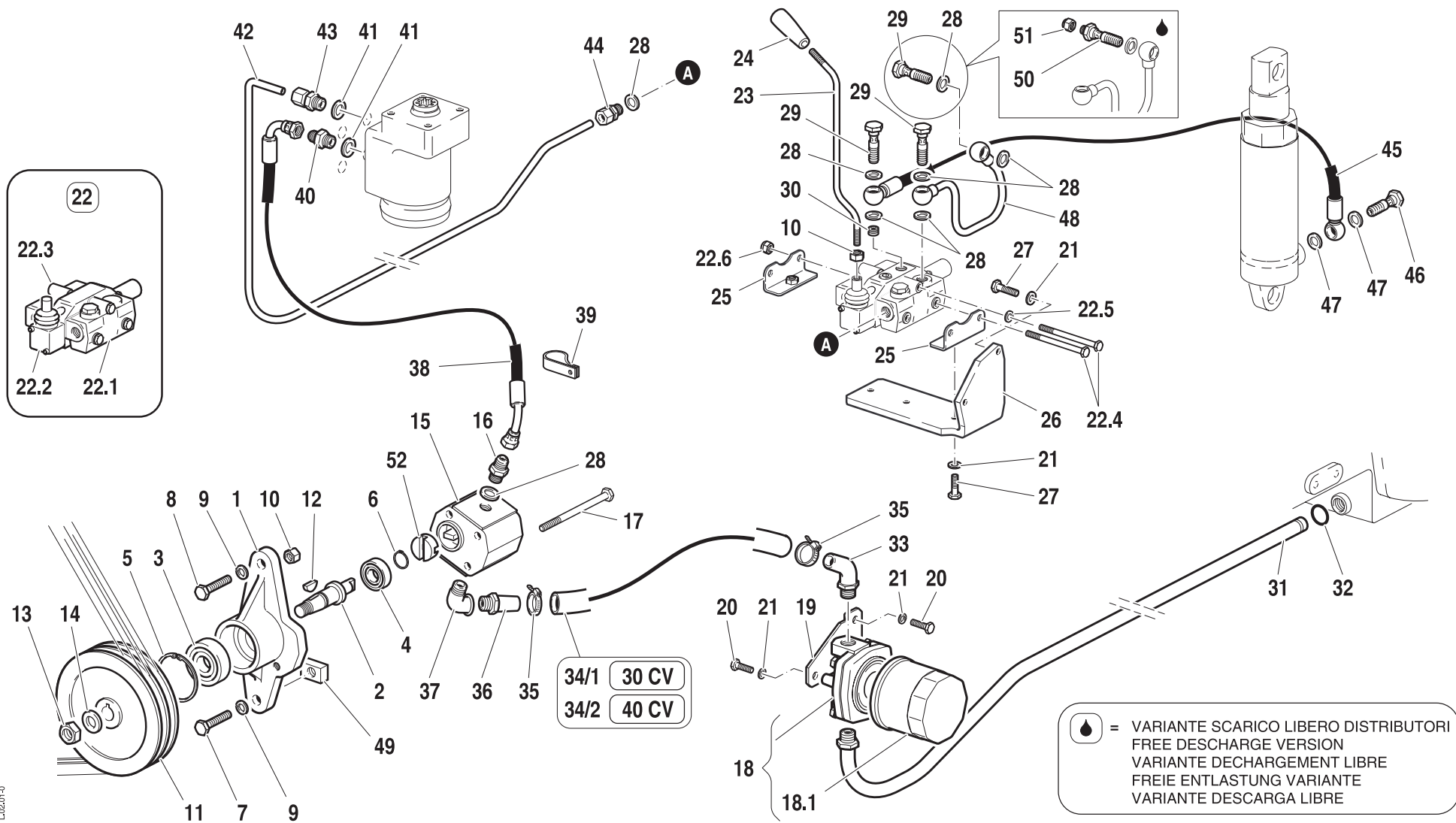
SERIAL

HYDRAULIC SYSTEM (1 LIFTING JACK VERSION)

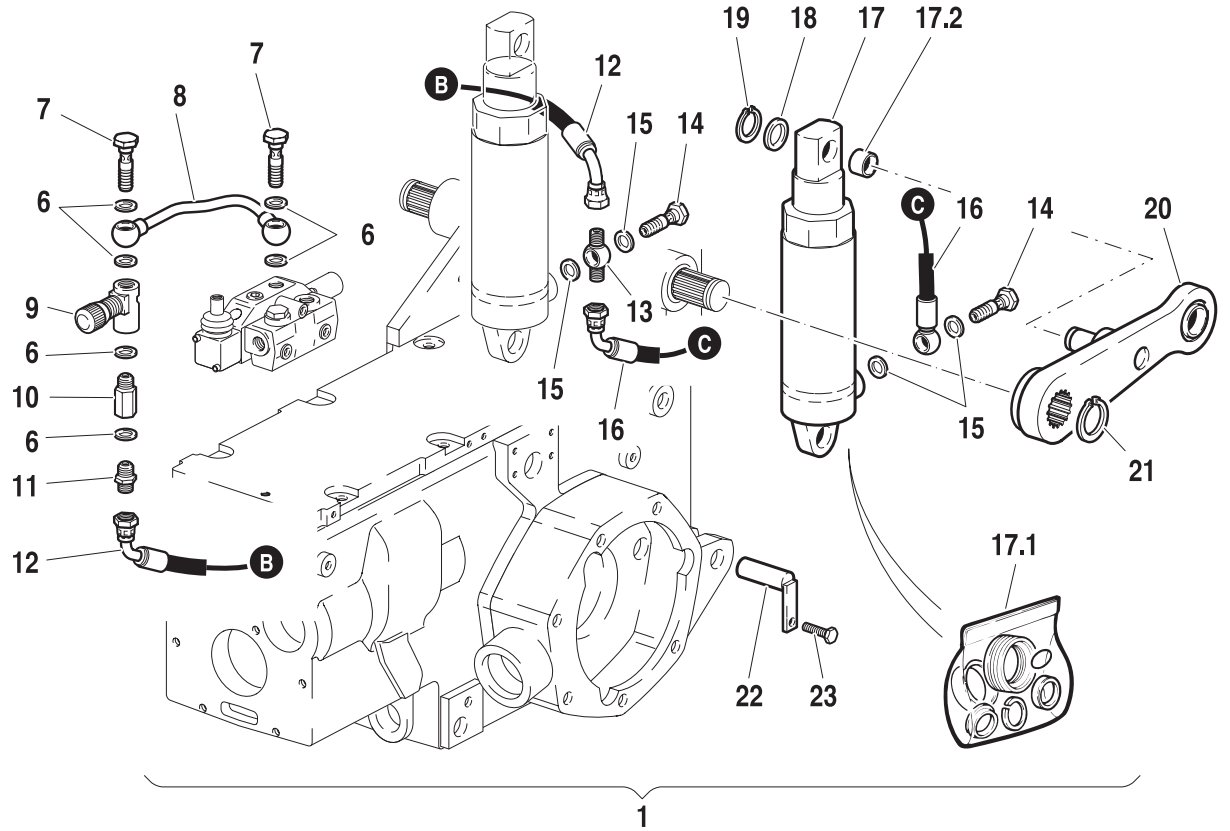
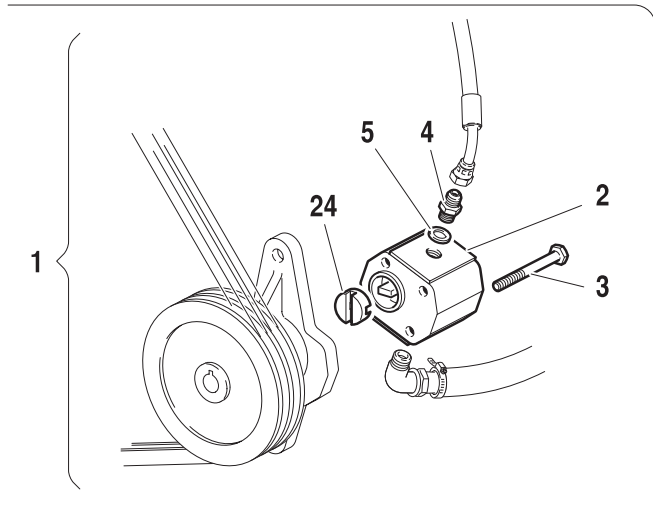
Version: 30-40CV

CODE REV

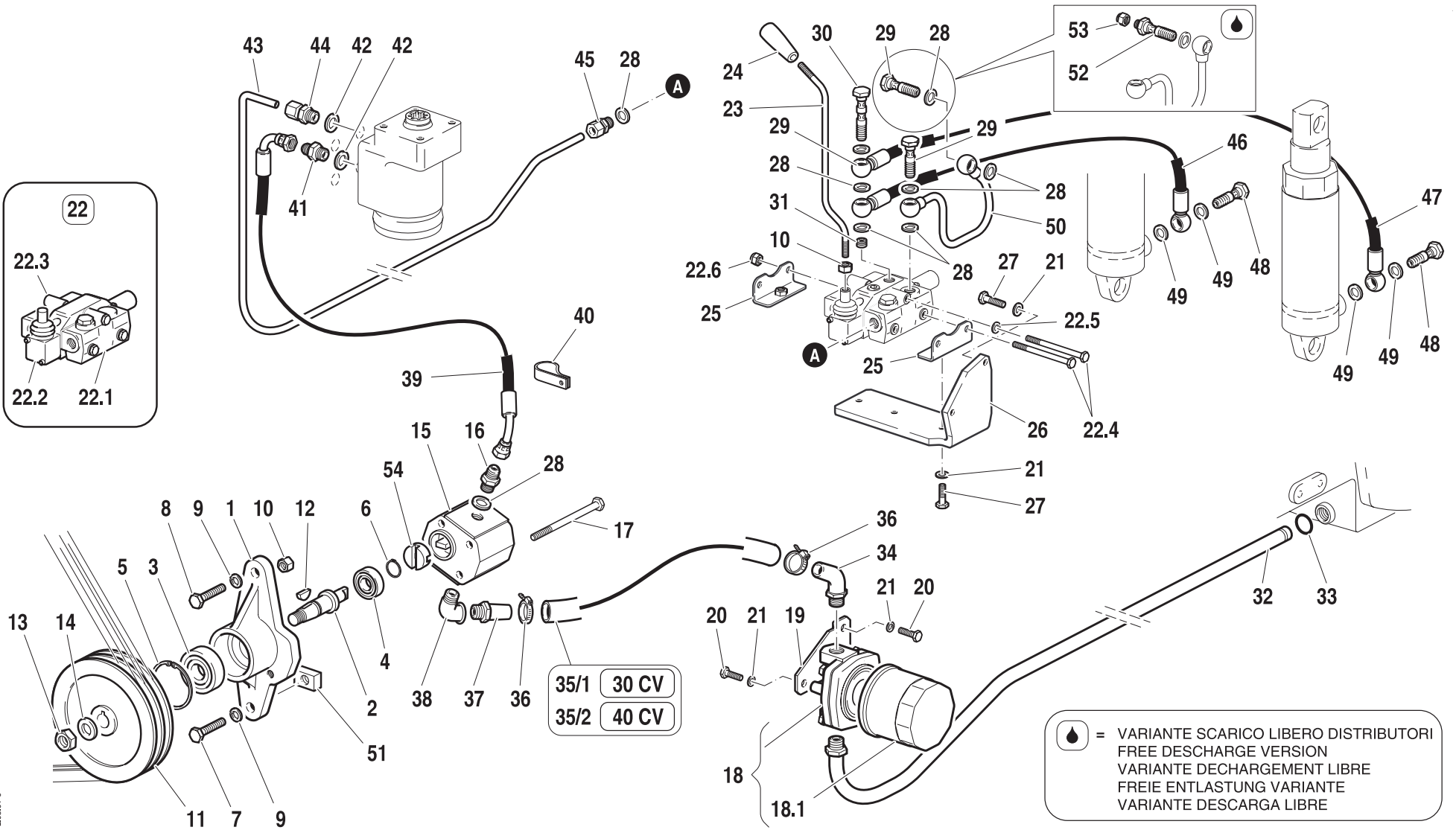
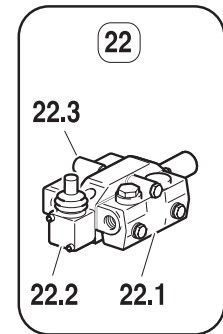
L.02.01_0_21158




Pos.	Code	Q.ty	Description	Notes
29	F0843109020	1	PIPE FITTING	
30	58170769	1	VALVE	
31	59073339	1	SUCTION PIPE	
32	38112507	1	O-RING 3100 (25,07X2,62)	
33	59073340	1	SUCTION PIPE	
34/1	58173543	1	FLEXIBLE HOSE	
34/2	58173053	1	FLEXIBLE HOSE	
35	F0817523010	1	CLAMP	
36	56172917	1	PIPE FITTING	
37	F0840544000	1	ELBOW	
38	58074161	1	FLEXIBLE HOSE	
39	F0825416000	1	CLAMP	
40	F0835037000	1	NIPPLE	
41	F0824141000	1	COPPER WASHER 21x27/1,5	
42	59075453	1	DISTRIBUTING PIPE	
43	58173539	1	PIPE FITTING	
44	58172015	1	PIPE FITTING	
45	58072135	1	FLEXIBLE HOSE	
46	F0843107000	1	PIPE FITTING GAS 1/4	
47	F0843907000	1	COPPER WASHER 13,66x19/1,5	
48	59073160	1	EXHAUST	
49	56176373	1	LOCKING MECHANISM	
50	56373163	1	PIPE UNION	
51	F0852589000	1	PLUG	
52	56477572	1	JOINT	



Pos.	Code	Q.ty	Description	Notes
1	59978033	1	KIT	
2	58174697	1	PUMP	
3	31112174	1	SCREW TE M8X110 UNI 5737 8.8	
4	F0835037000	1	NIPPLE	
5	F0824141000	1	COPPER WASHER 21x27/1,5	
6	F0824110000	1	COPPER WASHER 3/8 GAS	
7	F0843109020	1	PIPE FITTING	
8	59075386	1	PRESSURE PIPE	
9	P24117100000	1	VALVE	
10	30000200	1	EXTENSION	
11	F0835023000	1	NIPPLE	
12	58075372	1	FLEXIBLE HOSE	
13	F0842519050	1	PIPE FITTING	
14	F0843107000	1	PIPE FITTING GAS 1/4	
15	F0843907000	1	COPPER WASHER 13,66x19/1,5	
16	58072269	1	FLEXIBLE HOSE	
17	58071534	1	LIFTING CYLINDER	
17.1	59900181	1	GASKET SET	
17.2	59900180	1	BUSHING	
18	56172905	1	THRUST PLATE	
19	F0801149010	1	SEEGER RING E 20 7436D/471-2	
20	59071783	1	LIFTING ARM	
21	F0801264050	1	SEEGER RING E 35X2,5 U/7436	
22	59071786	1	HINGE PIN	
23	31111151	1	SCREW TE M8X16 UNI 5739 8G	
24	56477572	1	JOINT	



35/1	30 CV
35/2	40 CV

 = VARIANTE SCARICO LIBERO DISTRIBUTORI
 FREE DISCHARGE VERSION
 VARIANTE DECHARGEMENT LIBRE
 FREIE ENTLASTUNG VARIANTE
 VARIANTE DESCARGA LIBRE

Pos.	Code	Q.ty	Description	Notes
1	51172830	1	SUPPORT	
2	56372831	1	SHAFT	
3	37112172	1	BEARING	
5	35111047	1	SEEGER RING I 47 DIN 472	
6	F0801127050	1	SEEGER RING E 17X1,5 U/7436	
7	F0863359000	1	SCREW M10X40 UNI 5737	
8	F0863449000	1	SCREW M10X50 UNI 5737	
9	F0843755000	1	WASHER 10	
10	31211100	1	NUT M10	
11	51172832	1	PULLEY	
12	58172914	1	KEY	
13	F0814688010	1	NUT M12X1,5	
14	58172915	1	WASHER	
15	58174697	1	PUMP	
16	F0835024010	1	NIPPLE	
17	31112174	1	SCREW TE M8X110 UNI 5737 8.8	
18	58173337	1	FILTER	
18.1	58173642	1	FILTER INSERT	
19	56173338	1	FILTER SUPPORT	
20	31111151	1	SCREW TE M8X16 UNI 5739 8G	
21	F0843643060	1	WASHER 8	
22	58174699	1	DISTR.COM.SOLL.30-40DT *	
22.1	58174700	1	HEAD	
22.2	58172011	1	S.A. VALVE	
22.3	58172489	1	COVER	
22.4	58172490	1	ROD	
22.5	F0843643060	1	WASHER 8	
22.6	31211080	1	NUT M8	
23	56175567	1	COMMAND LEVER	
24	F0837534010	1	GRIP	
25	59072057	1	FIXING BRACKET	
26	56172561	1	RETAINER	
27	31112146	1	SCREW TE M8X22 UNI 5739 8G	
28	F0824110000	1	COPPER WASHER 3/8 GAS	

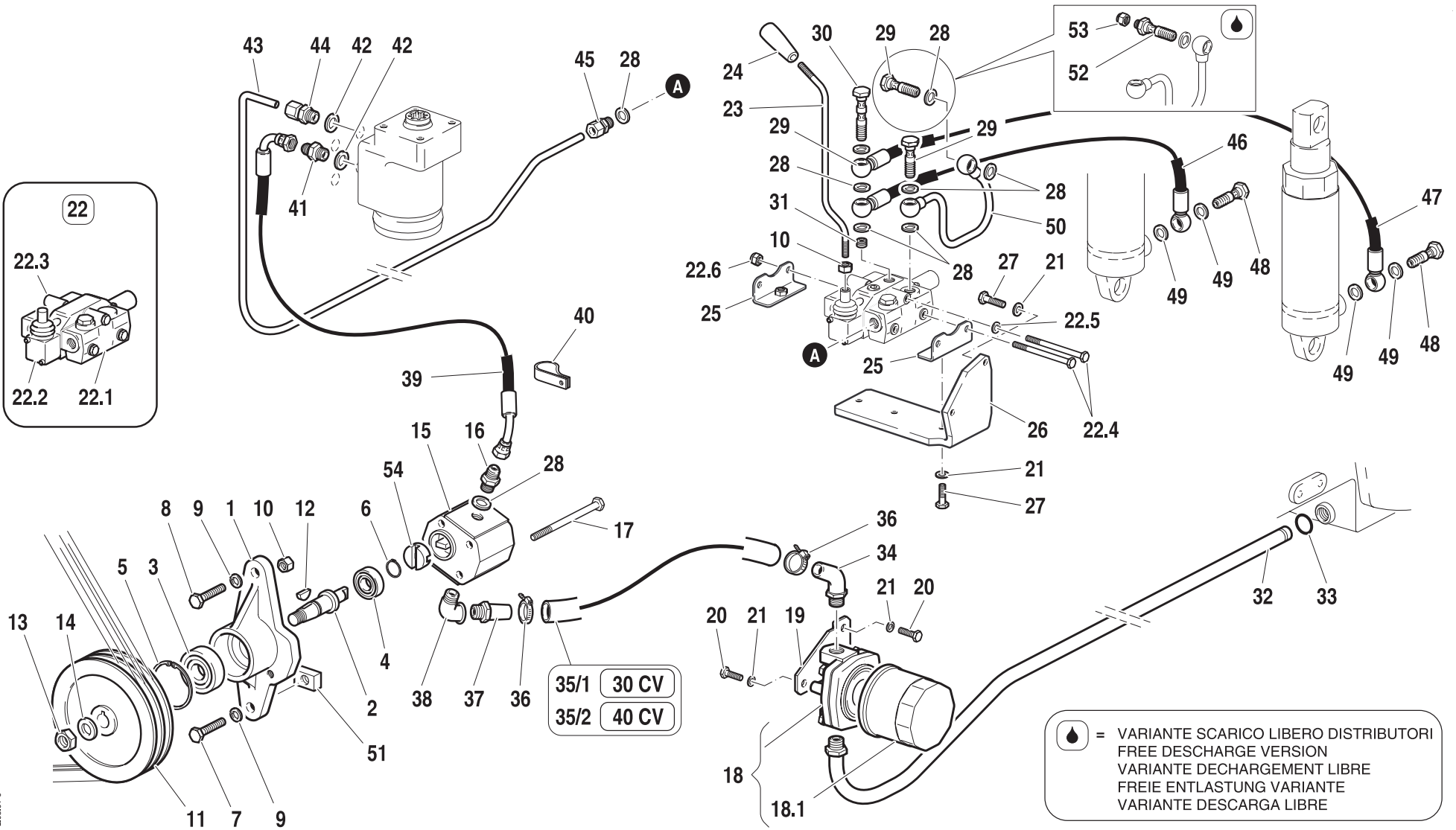
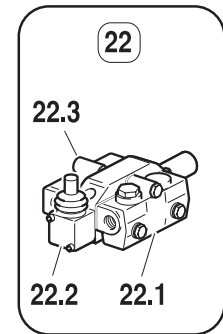
SERIAL

HYDRAULIC SYSTEM (2 LIFTING JACK VERSION)

Version: 30-40CV

CODE REV

L.03.01_0_21245



Pos.	Code	Q.ty	Description	Notes
29	F0843109020	1	PIPE FITTING	
30	58170769	1	VALVE	
31	58172589	1	THREADED TERMINAL END	
32	59073339	1	SUCTION PIPE	
33	38112507	1	O-RING 3100 (25,07X2,62)	
34	59073340	1	SUCTION PIPE	
35/1	58173543	1	FLEXIBLE HOSE	
35/2	58173053	1	FLEXIBLE HOSE	
36	F0817523010	1	CLAMP	
37	56172917	1	PIPE FITTING	
38	F0840544000	1	ELBOW	
39	58074161	1	FLEXIBLE HOSE	
40	F0825416000	1	CLAMP	
41	F0835037000	1	NIPPLE	
42	F0824141000	1	COPPER WASHER 21x27/1,5	
43	59075453	1	DISTRIBUTING PIPE	
44	58173539	1	PIPE FITTING	
45	58172015	1	PIPE FITTING	
46	58072135	1	FLEXIBLE HOSE	
47	58072136	1	FLEXIBLE HOSE	
48	F0843107000	1	PIPE FITTING GAS 1/4	
49	F0843907000	1	COPPER WASHER 13,66x19/1,5	
50	59073160	1	EXHAUST	
51	56176373	1	LOCKING MECHANISM	
52	56373163	1	PIPE UNION	
53	F0852589000	1	PLUG	
54	56477572	1	JOINT	

Pos.	Code	Q.ty	Description	Notes
1	51172830	1	SUPPORT	
2	56372831	1	SHAFT	
3	37112172	1	BEARING	
4	F0812523050	1	BEARING 6201-2RS	
5	35111047	1	SEEGER RING I 47 DIN 472	
6	F0801127050	1	SEEGER RING E 17X1,5 U/7436	
7	F0863359000	1	SCREW M10X40 UNI 5737	
8	F0863449000	1	SCREW M10X50 UNI 5737	
9	F0843755000	1	WASHER 10	
10	31211100	1	NUT M10	
11	51172832	1	PULLEY	
12	58172914	1	KEY	
13	F0814688010	1	NUT M12X1,5	
14	58172915	1	WASHER	
15	58174697	1	PUMP	
16	F0835024010	1	NIPPLE	
17	31112174	1	SCREW TE M8X110 UNI 5737 8.8	
18	58173337	1	FILTER	
18.1	58173642	1	FILTER INSERT	
19	56173338	1	FILTER SUPPORT	
20	31111151	1	SCREW TE M8X16 UNI 5739 8G	
21	F0843643060	1	WASHER 8	
22	58174699	1	DISTR.COM.SOLL.30-40DT *	
22.1	58174700	1	HEAD	
22.2	58172011	1	S.A. VALVE	
22.3	58172489	1	COVER	
22.4	58172490	1	ROD	
22.5	F0843643060	1	WASHER 8	
22.6	31211080	1	NUT M8	
23	56175567	1	COMMAND LEVER	
24	F0837534010	1	GRIP	
25	59072057	1	FIXING BRACKET	
26	56172561	1	RETAINER	
27	31112146	1	SCREW TE M8X22 UNI 5739 8G	

SERIAL

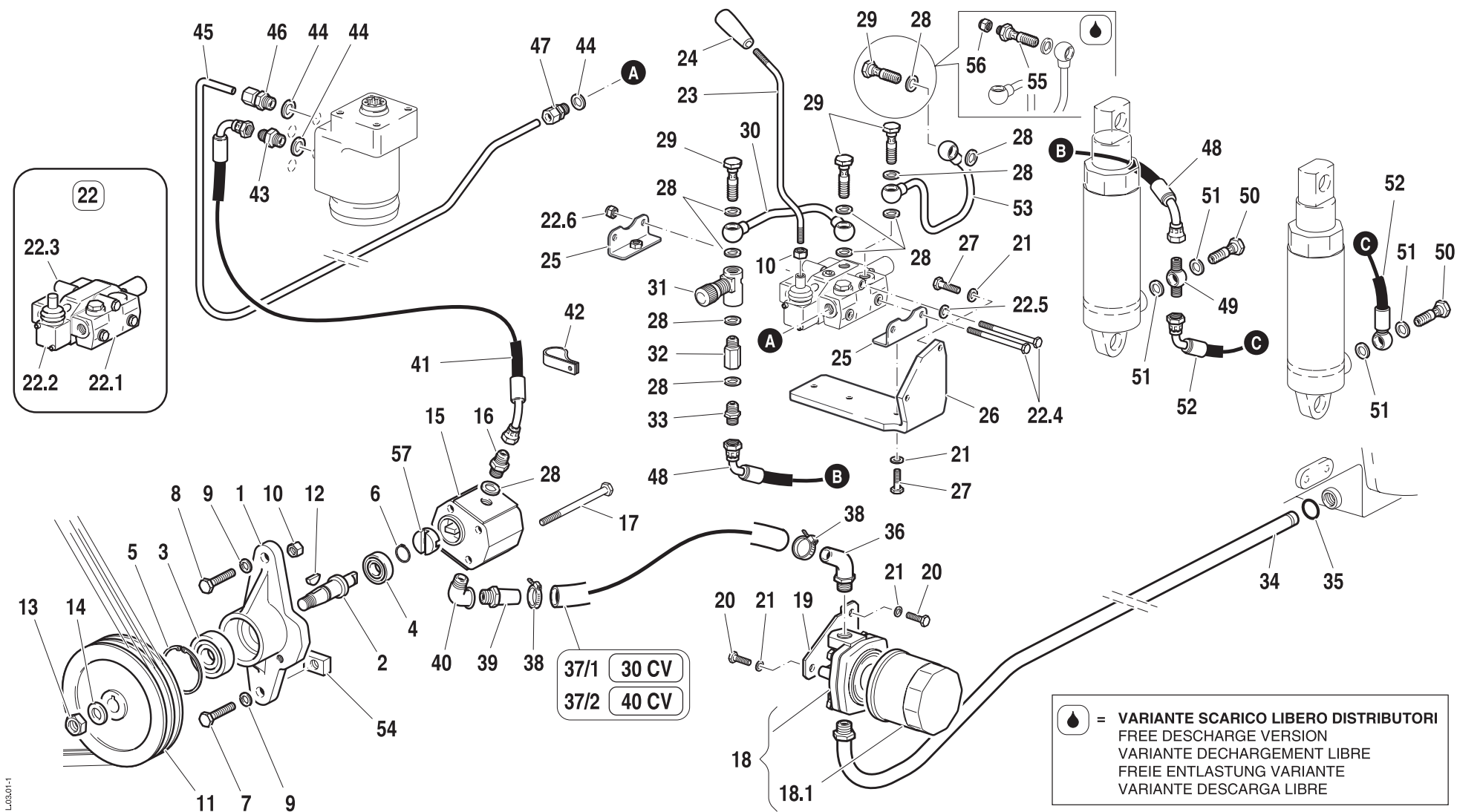
900160

HYDRAULIC SYSTEM (2 LIFTING JACKS VERSION)

Version: 30-40CV

CODE REV

L.03.01_1_21307



Pos.	Code	Q.ty	Description	Notes
28	F0824110000	1	COPPER WASHER 3/8 GAS	
29	F0843109020	1	PIPE FITTING	
30	59075386	1	PRESSURE PIPE	
31	P24117100000	1	VALVE	
32	30000200	1	EXTENSION	
33	F0835023000	1	NIPPLE	
34	59073339	1	SUCTION PIPE	
35	38112507	1	O-RING 3100 (25,07X2,62)	
36	59073340	1	SUCTION PIPE	
37/1	58173543	1	FLEXIBLE HOSE	
37/2	58173053	1	FLEXIBLE HOSE	
38	F0817523010	1	CLAMP	
39	56172917	1	PIPE FITTING	
40	F0840544000	1	ELBOW	
41	58074161	1	FLEXIBLE HOSE	
42	F0825416000	1	CLAMP	
43	F0835037000	1	NIPPLE	
44	F0824141000	1	COPPER WASHER 21x27/1,5	
45	59075453	1	DISTRIBUTING PIPE	
46	58173539	1	PIPE FITTING	
47	58172015	1	PIPE FITTING	
48	58075372	1	FLEXIBLE HOSE	
49	F0842519050	1	PIPE FITTING	
50	F0843107000	1	PIPE FITTING GAS 1/4	
51	F0843907000	1	COPPER WASHER 13,66x19/1,5	
52	58072269	1	FLEXIBLE HOSE	
53	59073160	1	EXHAUST	
54	56176373	1	LOCKING MECHANISM	
55	56373163	1	PIPE UNION	
56	F0852589000	1	PLUG	
57	56477572	1	JOINT	

SERIAL

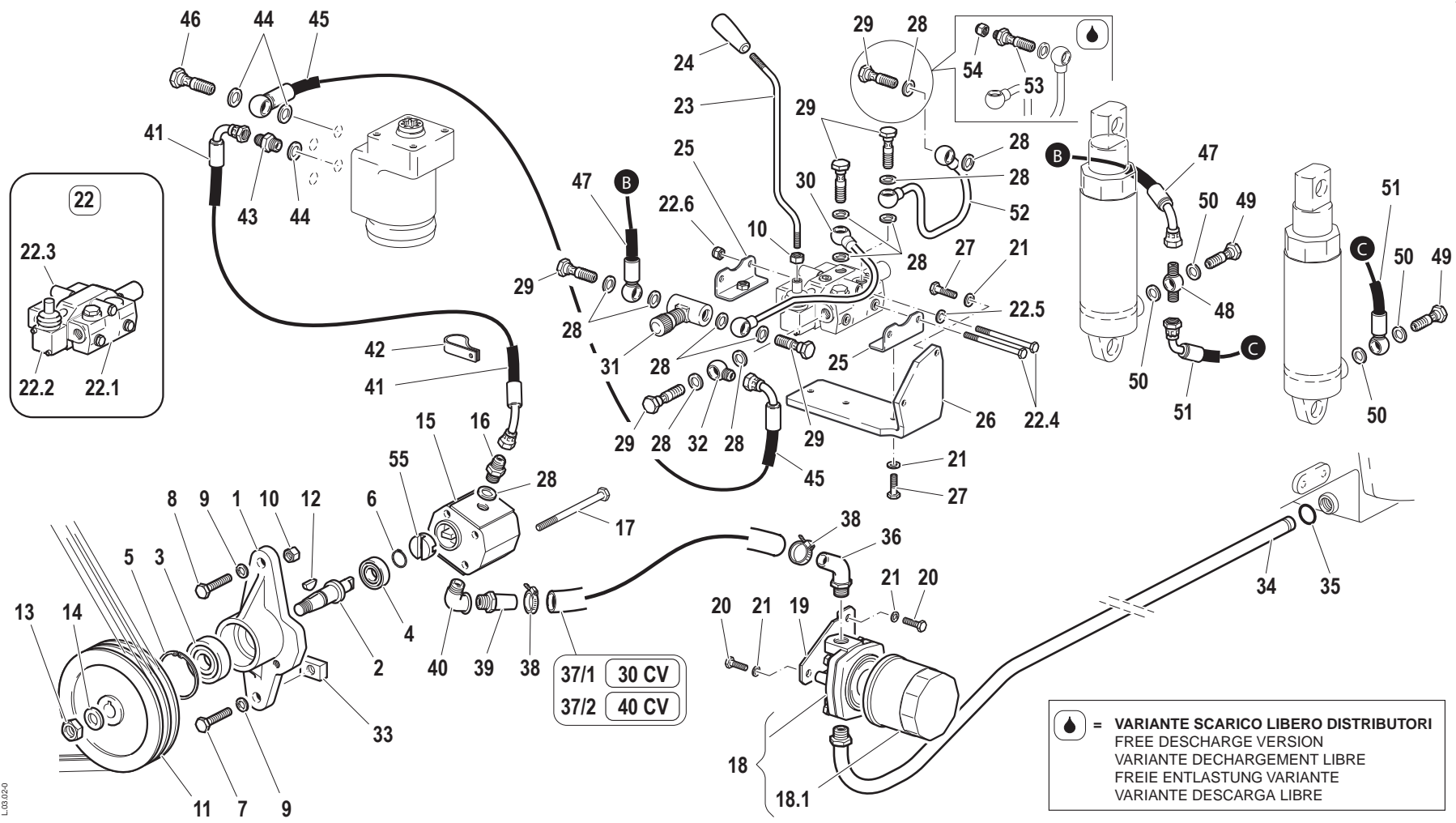
900160

HYDRAULIC SYSTEM (2 LIFTING JACKS VERSION)

Version: 30-40CV

CODE REV

L.03.01_1_21307



Pos.	Code	Q.ty	Description	Notes
1	51172830	1	SUPPORT	
2	56372831	1	SHAFT	
3	37112172	1	BEARING	
4	F0812523050	1	BEARING 6201-2RS	
5	35111047	1	SEEGER RING I 47 DIN 472	
6	F0801127050	1	SEEGER RING E 17X1,5 U/7436	
7	F0863359000	1	SCREW M10X40 UNI 5737	
8	F0863449000	1	SCREW M10X50 UNI 5737	
9	F0843755000	1	WASHER 10	
10	31211100	1	NUT M10	
11	51172832	1	PULLEY	
12	58172914	1	KEY	
13	F0814688010	1	NUT M12X1,5	
14	58172915	1	WASHER	
15	58174697	1	PUMP	
16	F0835024010	1	NIPPLE	
17	31112174	1	SCREW TE M8X110 UNI 5737 8.8	
18	58173337	1	FILTER	
18.1	58173642	1	FILTER INSERT	
19	56173338	1	FILTER SUPPORT	
20	31111151	1	SCREW TE M8X16 UNI 5739 8G	
21	F0843643060	1	WASHER 8	
22	58174699	1	DISTR.COM.SOLL.30-40DT *	
22.1	58174700	1	HEAD	
22.2	58172011	1	S.A. VALVE	
22.3	58172489	1	COVER	
22.4	58172490	1	ROD	
22.5	F0843643060	1	WASHER 8	
22.6	31211080	1	NUT M8	
23	56175567	1	COMMAND LEVER	
24	F0837534010	1	GRIP	
25	59072057	1	FIXING BRACKET	
26	56172561	1	RETAINER	
27	31112146	1	SCREW TE M8X22 UNI 5739 8G	

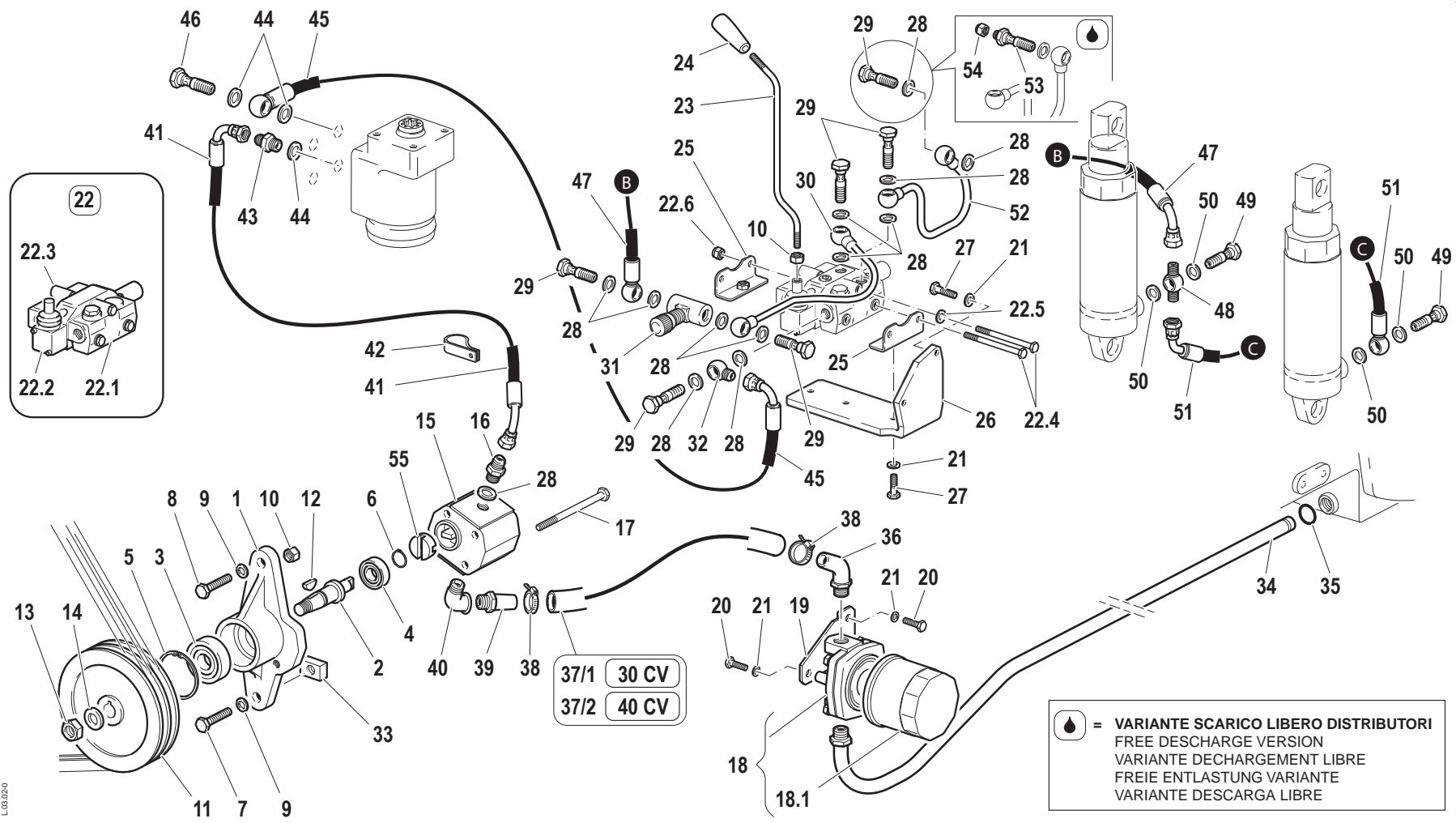
SERIAL

HYDRAULIC SYSTEM WITH CAB (2 LIFTING JACKS)

Version: 30-40CV

CODE REV

L.03.02_0_21373

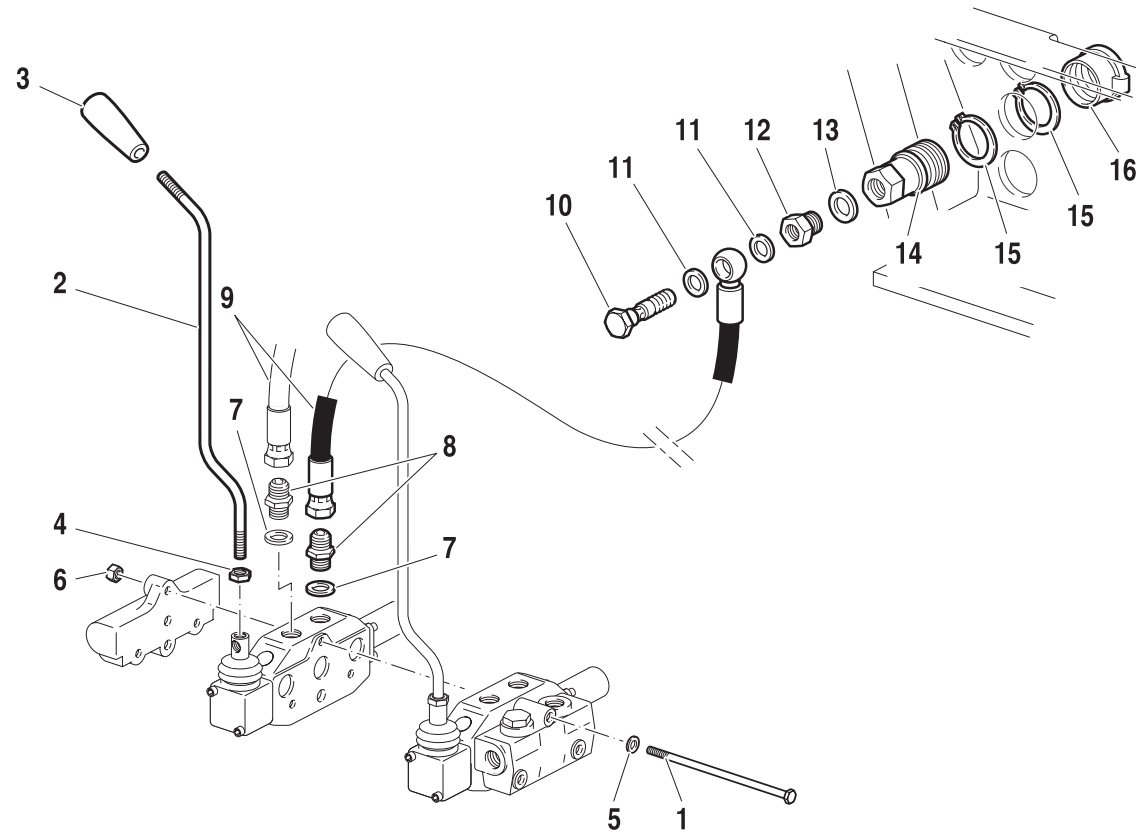


Pos.	Code	Q.ty	Description	Notes
28	F0824110000	1	COPPER WASHER 3/8 GAS	
29	F0843109020	1	PIPE FITTING	
31	P24117100000	1	VALVE	
32	F0842505030	1	PIPE FITTING	
33	56176373	1	LOCKING MECHANISM	
34	59073339	1	SUCTION PIPE	
35	38112507	1	O-RING 3100 (25,07X2,62)	
36	59073340	1	SUCTION PIPE	
37/1	58173543	1	FLEXIBLE HOSE	
37/2	58173053	1	FLEXIBLE HOSE	
38	F0817523010	1	CLAMP	
39	56172917	1	PIPE FITTING	
40	F0840544000	1	ELBOW	
41	58074161	1	FLEXIBLE HOSE	
42	F0825416000	1	CLAMP	
43	F0835037000	1	NIPPLE	
44	F0824141000	1	COPPER WASHER 21x27/1,5	
45	58075592	1	FLEXIBLE HOSE	
46	F0843116000	1	PIPE FITTING 1/2	
47	58075372	1	FLEXIBLE HOSE	
48	F0842519050	1	PIPE FITTING	
49	F0843107000	1	PIPE FITTING GAS 1/4	
50	F0843907000	1	COPPER WASHER 13,66x19/1,5	
51	58072269	1	FLEXIBLE HOSE	
52	59073160	1	EXHAUST	
53	56373163	1	PIPE UNION	
54	F0852589000	1	PLUG	
55	56477572	1	JOINT	



I.01.01-1

- PER I DISTRIBUTORI SENZA CODICE VEDERE LA TAVOLA INDICATA
- FOR CONTROL VALVES WITHOUT CODE SEE INDICATED TABLE
- POUR LES DISTRIBUTEURS SANS CODE VOIR LA TABLE INDIQUÉE
- FÜR STEUERGERÄTE OHNE BEST-NR. SIEHE DIE ANGEGBENE TAFEL
- PARA LOS DISTRIBUIDORES SIN CODIGO MIRAR LA TABLA INDICADA

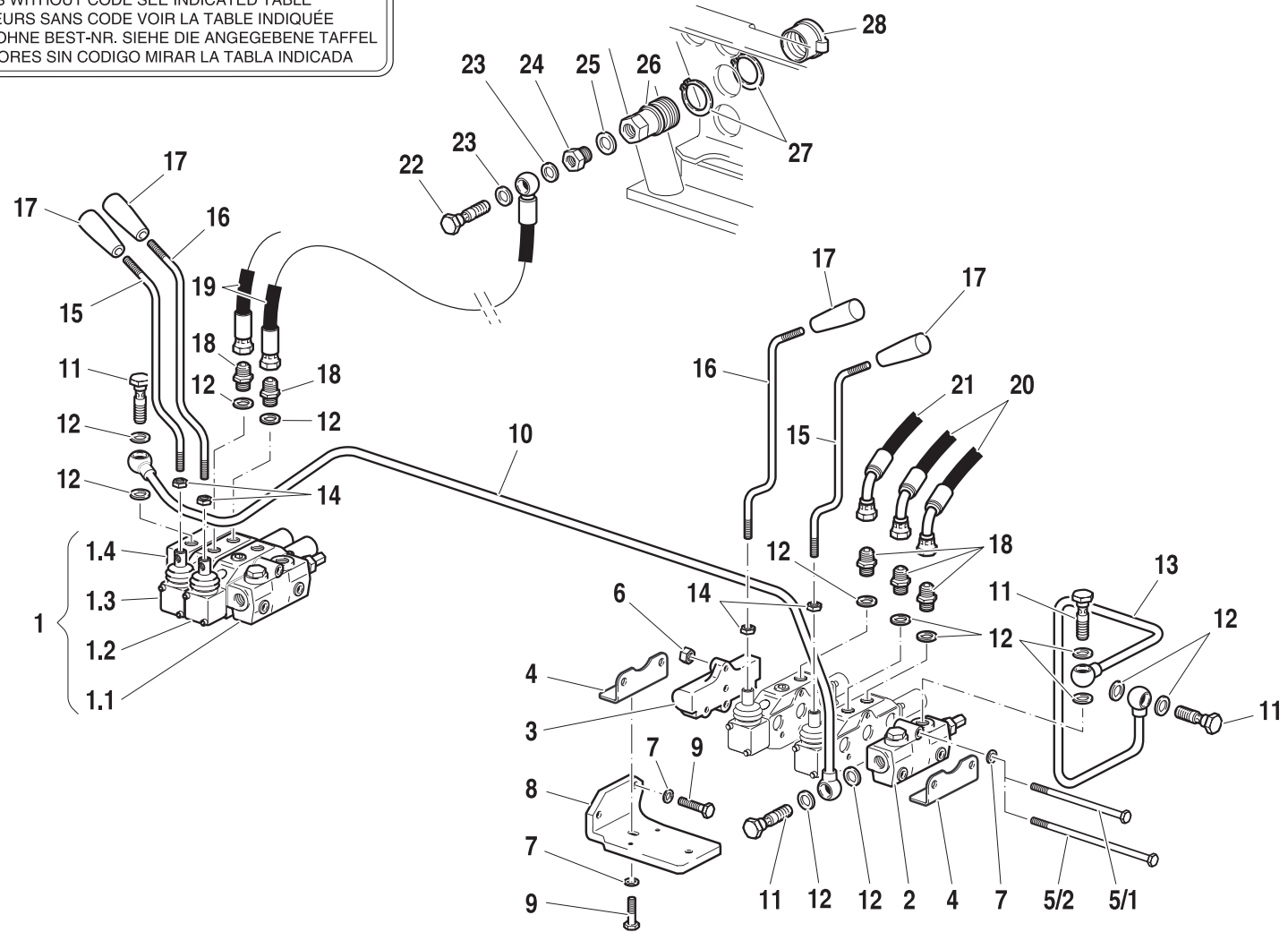


Pos.	Code	Q.ty	Description	Notes
1	58172016	1	ROD	
2	56175566	1	COMMAND LEVER	
3	F0837534010	1	GRIP	
4	31211100	1	NUT M10	
5	F0843643060	1	WASHER 8	
6	31211080	1	NUT M8	
7	F0824110000	1	COPPER WASHER 3/8 GAS	
8	F0835023000	1	NIPPLE	
9	58072138	1	FLEXIBLE HOSE	
10	F0843107000	1	PIPE FITTING GAS 1/4	
11	F0843907000	1	COPPER WASHER 13,66x19/1,5	
12	F0835040020	1	REDUCTION	
13	F0824141000	1	COPPER WASHER 21x27/1,5	
14	F0825980030	1	COUPLING	
15	F0801297000	1	SEEGER RING E 40 UNI 7435	
16	F0852550010	1	GUARD	



I.01.01-1

- PER I DISTRIBUTORI SENZA CODICE VEDERE LA TAVOLA INDICATA
- FOR CONTROL VALVES WITHOUT CODE SEE INDICATED TABLE
- POUR LES DISTRIBUTEURS SANS CODE VOIR LA TABLE INDIQUÉE
- FÜR STEUERGERÄTE OHNE BEST-NR. SIEHE DIE ANGELEGEBENE TAFEL
- PARA LOS DISTRIBUIDORES SIN CODIGO MIRAR LA TABLA INDICADA



Pos.	Code	Q.ty	Description	Notes
1	58174698	1	FLOATING DEVICE GROUP	
1.1	58174700	1	HEAD	
1.2	58172011	1	S.A. VALVE	
1.3	58172012	1	D.A. VALVE	
1.4	58173361	1	COVER	
2	58174700	1	HEAD	
3	58172489	1	COVER	
4	59072057	1	FIXING BRACKET	
5/1	58172490	1	ROD	
5/2	58172016	1	ROD	
6	31211080	1	NUT M8	
7	F0843643060	1	WASHER 8	
8	56172750	1	RETAINER	
9	31112146	1	SCREW TE M8X22 UNI 5739 8G	
10	59072786	1	PIPE	
11	F0843109020	1	PIPE FITTING	
12	F0824110000	1	COPPER WASHER 3/8 GAS	
13	59072787	1	EXHAUST	
14	31211100	1	NUT M10	
15	56175566	1	COMMAND LEVER	
16	56175567	1	COMMAND LEVER	
17	F0837534010	1	GRIP	
18	F0835023000	1	NIPPLE	
19	58072138	1	FLEXIBLE HOSE	
20	58072795	1	FLEXIBLE HOSE	
21	58075877	1	FLEXIBLE HOSE	
22	F0843107000	1	PIPE FITTING GAS 1/4	
23	F0843907000	1	COPPER WASHER 13,66x19/1,5	
24	F0835040020	1	REDUCTION	
25	F0824141000	1	COPPER WASHER 21x27/1,5	
26	F0825980030	1	COUPLING	
27	F0801297000	1	SEEGER RING E 40 UNI 7435	
28	F0852550010	1	GUARD	

SERIAL

2 OR 3 ADITIONAL CONTROL VALVES

Version: 30-40CV

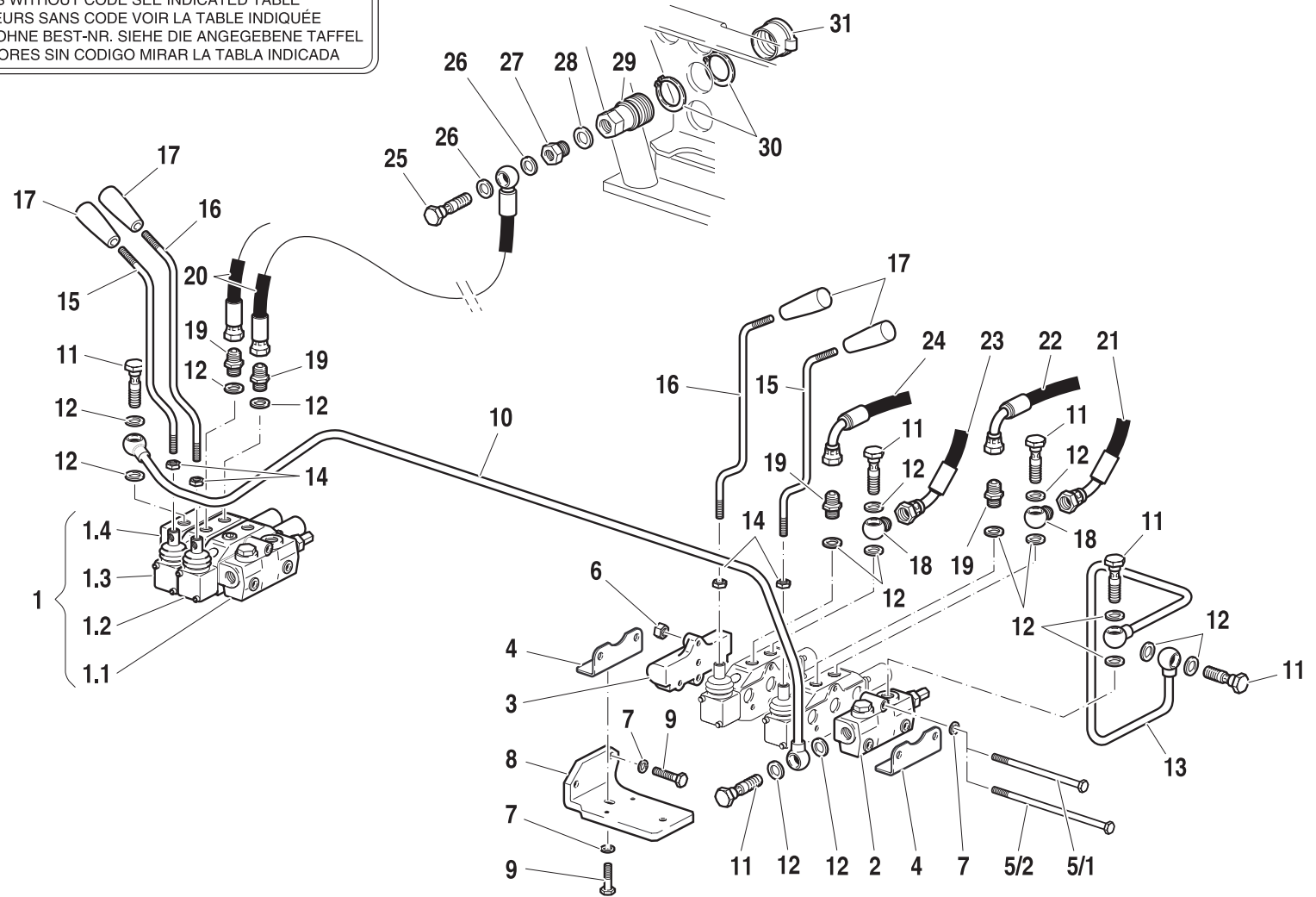
CODE REV

L.05.01_0_21453



I.01.01-1

- PER I DISTRIBUTORI SENZA CODICE VEDERE LA TAVOLA INDICATA
- FOR CONTROL VALVES WITHOUT CODE SEE INDICATED TABLE
- POUR LES DISTRIBUTEURS SANS CODE VOIR LA TABLE INDIQUÉE
- FÜR STEUERGERÄTE OHNE BEST-NR. SIEHE DIE ANGEGBENE TAFEL
- PARA LOS DISTRIBUIDORES SIN CODIGO MIRAR LA TABLA INDICADA



Pos.	Code	Q.ty	Description	Notes
1	58174698	1	FLOATING DEVICE GROUP	
1.1	58174700	1	HEAD	
1.2	58172011	1	S.A. VALVE	
1.3	58172012	1	D.A. VALVE	
1.4	58173361	1	COVER	
2	58174700	1	HEAD	
3	58172489	1	COVER	
4	59072057	1	FIXING BRACKET	
5/1	58172490	1	ROD	
5/2	58172016	1	ROD	
6	31211080	1	NUT M8	
7	F0843643060	1	WASHER 8	
8	56172750	1	RETAINER	
9	31112146	1	SCREW TE M8X22 UNI 5739 8G	
10	59075593	1	PIPE	
11	F0843109020	1	PIPE FITTING	
12	F0824110000	1	COPPER WASHER 3/8 GAS	
13	59072787	1	EXHAUST	
14	31211100	1	NUT M10	
15	56175566	1	COMMAND LEVER	
16	56175567	1	COMMAND LEVER	
17	F0837534010	1	GRIP	
18	F0842505010	1	EYELET	
19	F0835023000	1	NIPPLE	
20	58072138	1	FLEXIBLE HOSE	
21	58075373	1	FLEXIBLE HOSE	
22	58072796	1	FLEXIBLE HOSE	
23	58072795	1	FLEXIBLE HOSE	
24	F0150028193	1	FLEXIBLE HOSE	
25	F0843107000	1	PIPE FITTING GAS 1/4	
26	F0843907000	1	COPPER WASHER 13,66x19/1,5	
27	F0835040020	1	REDUCTION	
28	F0824141000	1	COPPER WASHER 21x27/1,5	
29	F0825980030	1	COUPLING	

SERIAL

2 OR 3 ADITONAL CONTROL VALVES WITH (CAB VERSION)

Version: 30-40CV

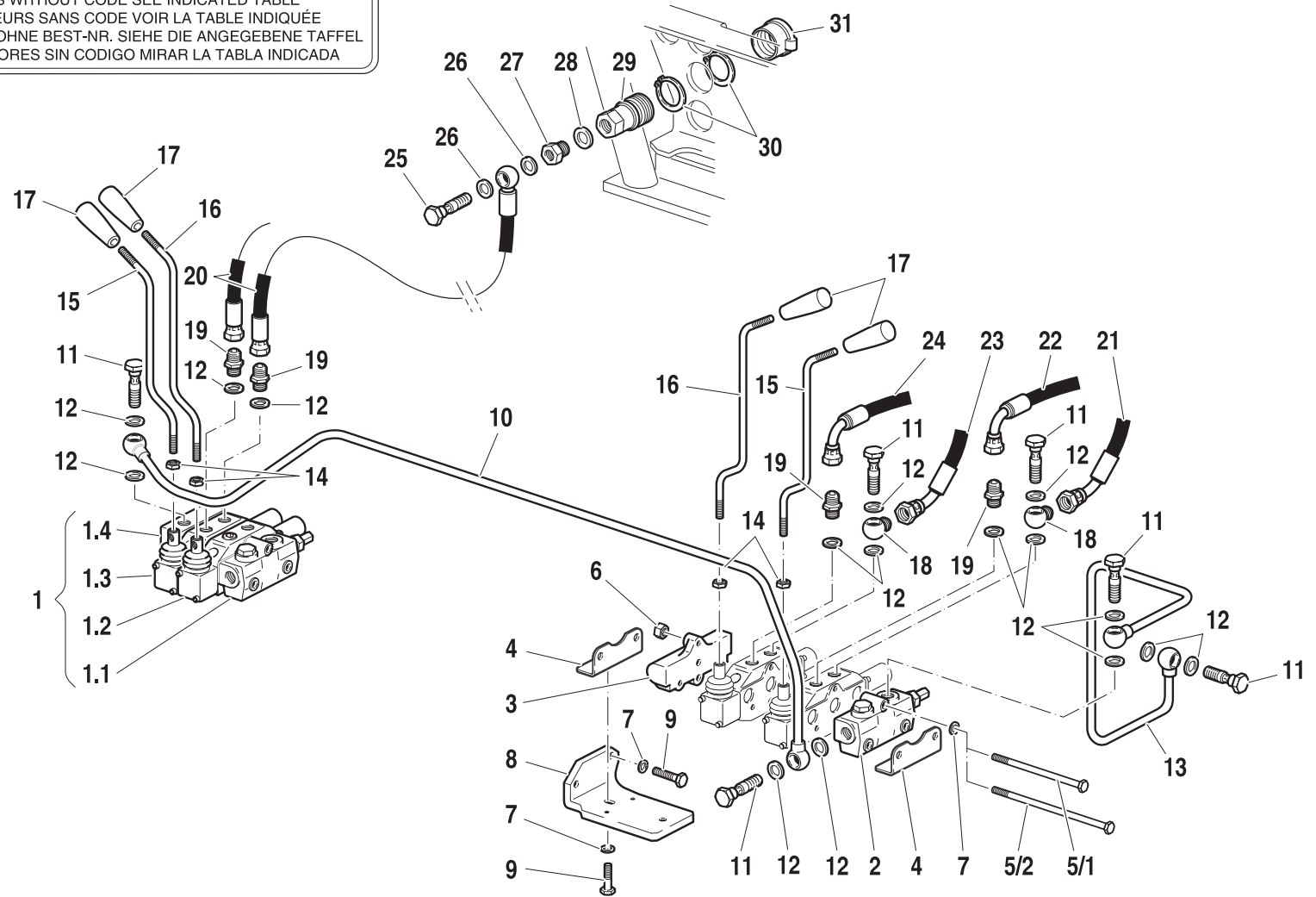
CODE REV

L.06.01_0_21487




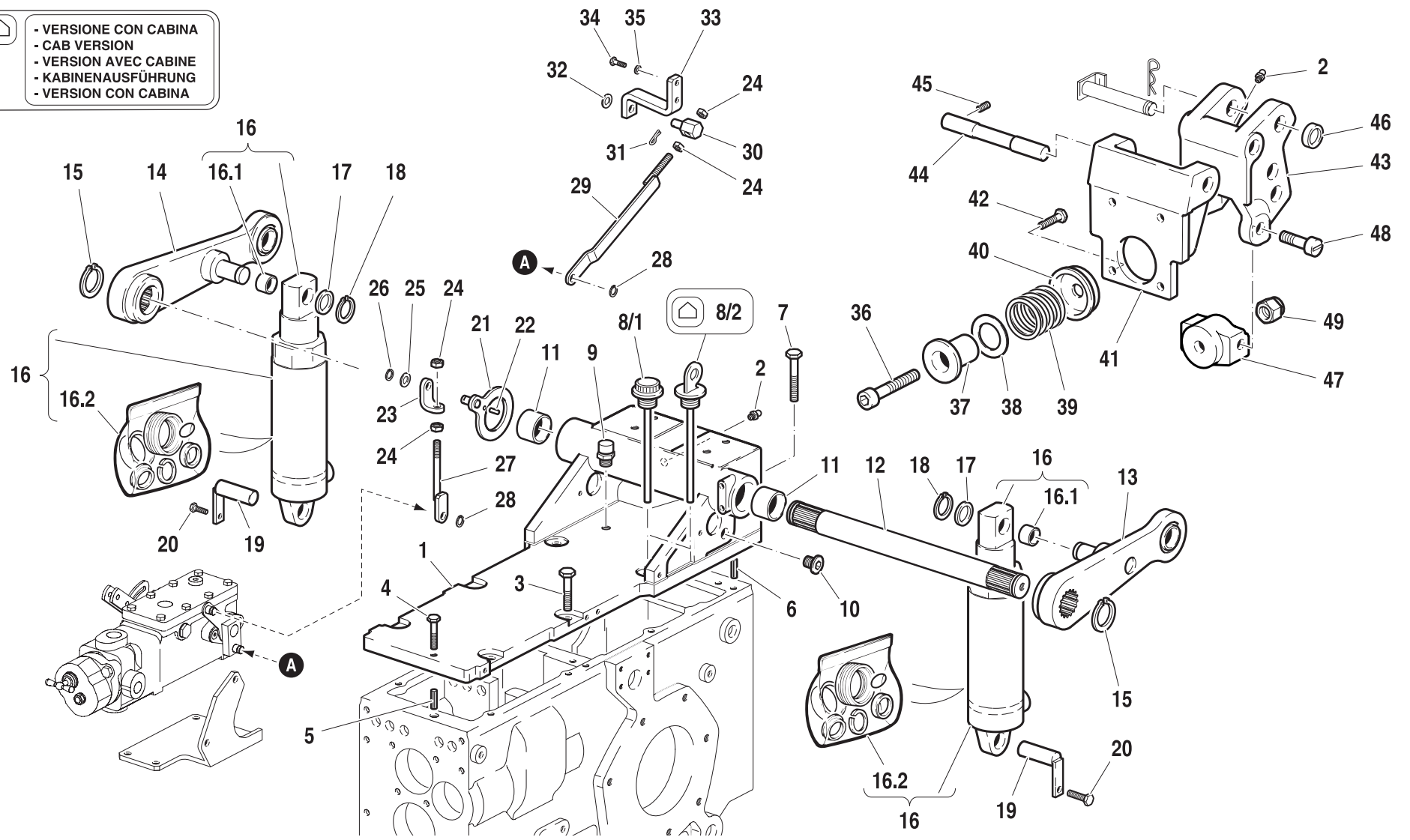
I.01.01-1

- PER I DISTRIBUTORI SENZA CODICE VEDERE LA TAVOLA INDICATA
- FOR CONTROL VALVES WITHOUT CODE SEE INDICATED TABLE
- POUR LES DISTRIBUTEURS SANS CODE VOIR LA TABLE INDIQUÉE
- FÜR STEUERGERÄTE OHNE BEST-NR. SIEHE DIE ANGELEGEBENE TAFEL
- PARA LOS DISTRIBUIDORES SIN CODIGO MIRAR LA TABLA INDICADA



Pos.	Code	Q.ty	Description	Notes
30	F0801297000	1	SEEGER RING E 40 UNI 7435	
31	F0852550010	1	GUARD	


 - VERSIONE CON CABINA
 - CAB VERSION
 - VERSION AVEC CABINE
 - KABINENAUSFÜHRUNG
 - VERSION CON CABINA



M.01.01-1

Pos.	Code	Q.ty	Description	Notes
1	51172366	1	SUPPORT	
2	F0826056000	1	LUBRICATOR M10 UNI 7663A	
3	31112219	1	SCREW TE M10X25 UNI 5739	
4	31112154	1	SCREW TE M8X40 UNI 5739 8G	
5	56170017	1	PIN	
6	56370228	1	CYLINDRICAL PLUG	
7	F0863358000	1	SCREW TE M10X40 UNI 5737	
8/1	58071805	1	PLUG	
8/2	58075547	1	OIL LEVEL ROD	
9	30040005	1	PLUG	
10	58072045	1	PLUG	
11	58171861	1	BUSHING	
12	56571785	1	SHAFT	
13	59071783	1	LIFTING ARM	
14	59075512	1	RIGHT ARM	
15	F0801264050	1	SEEGER RING E 35X2,5 U/7436	
16	58071534	1	LIFTING CYLINDER	
17	56172905	1	THRUST PLATE	
18	F0801149010	1	SEEGER RING E 20 7436D/471-2	
19	59071786	1	HINGE PIN	
20	31111151	1	SCREW TE M8X16 UNI 5739 8G	
21	59075467	1	SHIM	
22	56570506	1	PIN	
23	56375471	1	BRACKET	
24	F0814569000	1	NUT M8 UNI 5589 CL:8	
25	31411104	1	WASHER 10,5x18	
26	F0801050000	1	SEEGER RING E 10 UNI 7435	
27	59076160	1	ROD	
28	35211070	1	SEEGER RING E 7 UNI 7434	
29	59075476	1	ROD	
30	56075265	1	HINGE PIN	
31	34110030	1	SPLIT PIN	
32	31411104	1	WASHER 10,5x18	
33	56075473	1	BRACKET	


SERIAL

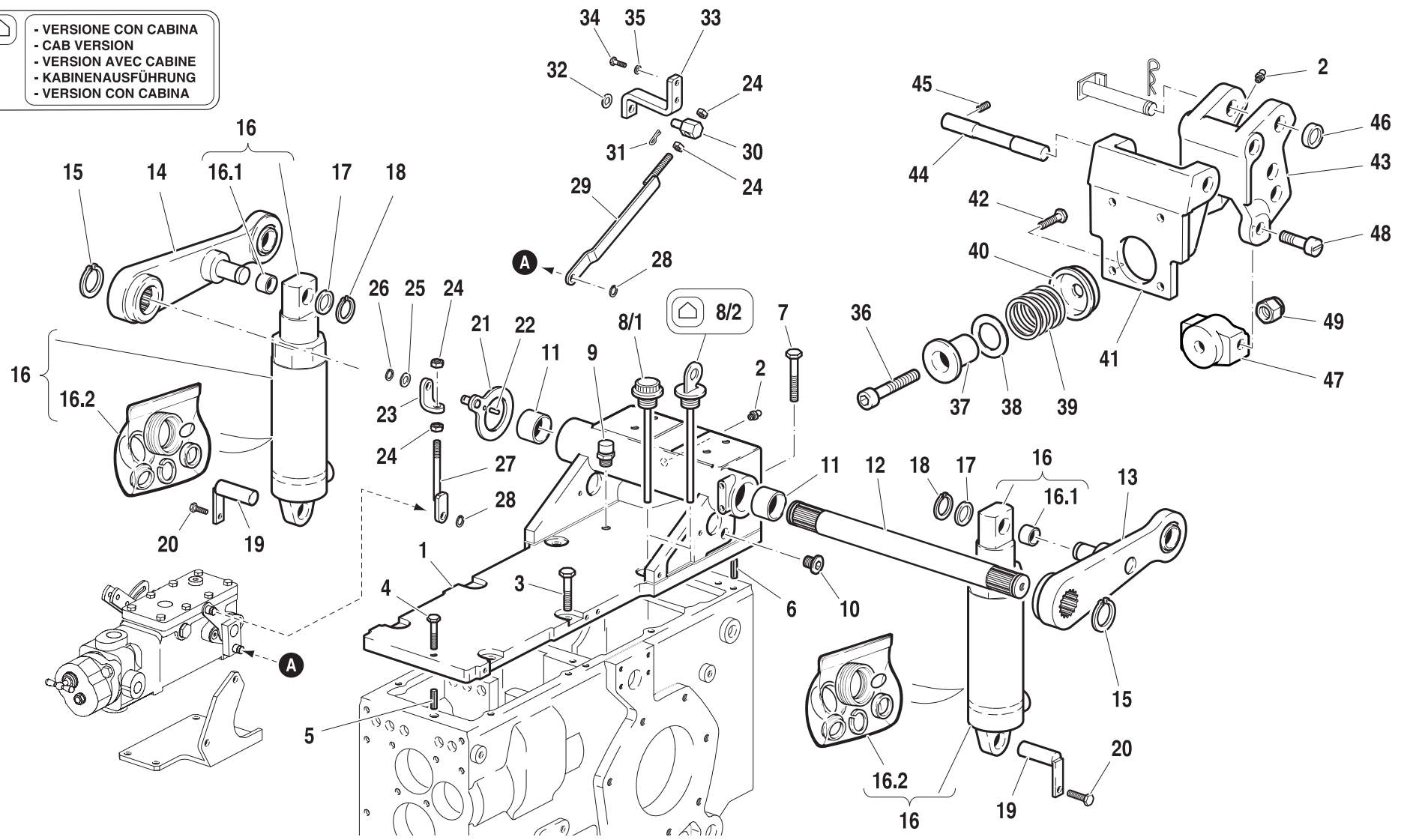
POSITION AND DRAFT CONTROL LIFT

Version: 30-40CV

CODE REV

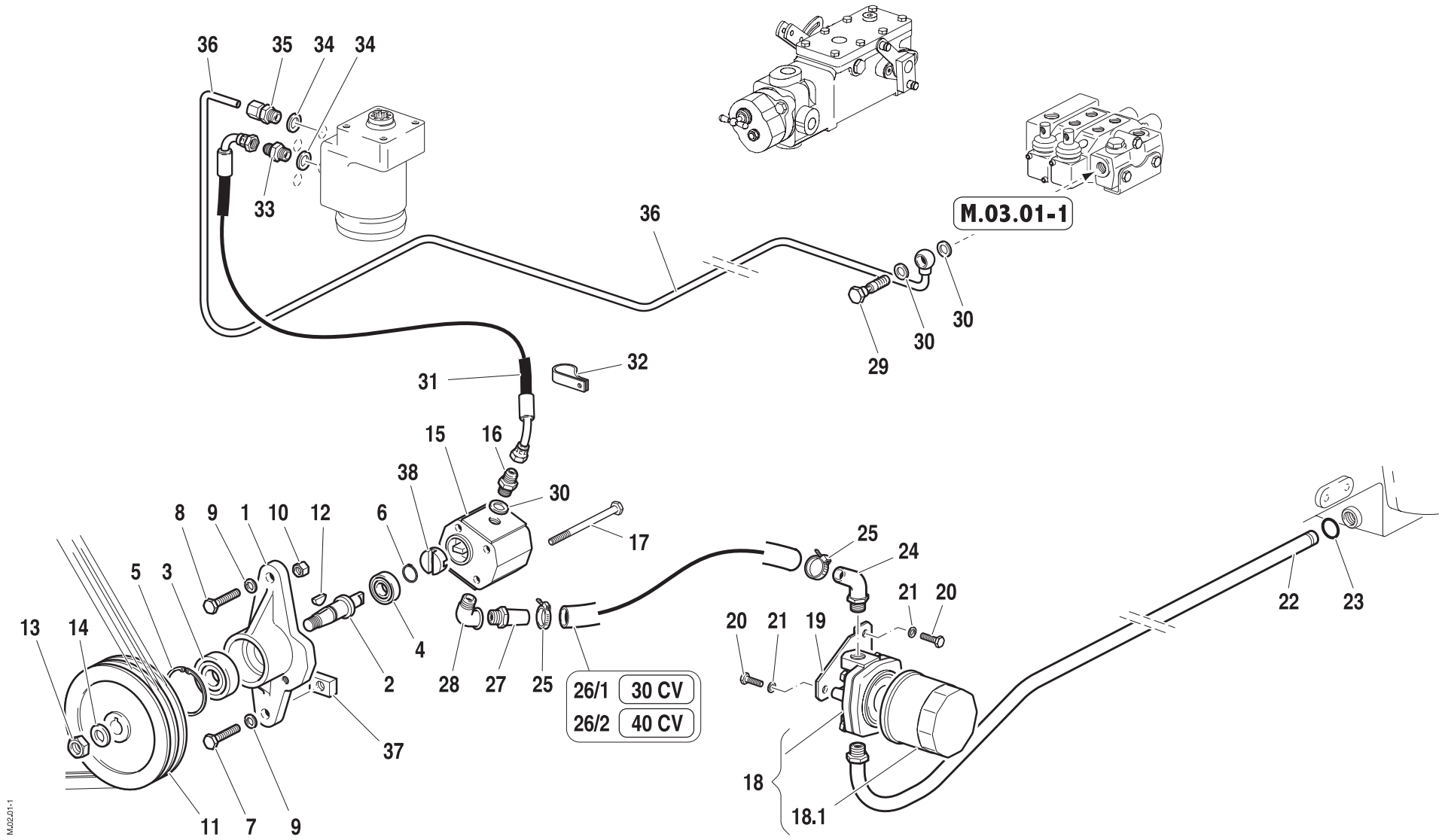
M.01.01_1_21524


 - VERSIONE CON CABINA
 - CAB VERSION
 - VERSION AVEC CABINE
 - KABINENAUSFÜHRUNG
 - VERSION CON CABINA



M.01.01-1

Pos.	Code	Q.ty	Description	Notes
34	31112093	1	SCREW TE M6X20 UNI 5739 8G	
35	F0843570000	1	WASHER 6	
36	F0864322100	1	SCREW M14X1,5/70 UNI5932	
37	56072960	1	SLEEVE	
38	56372952	1	SHIM	
38	56372953	1	SHIM	
38	56372954	1	SHIM	
38	56372955	1	SHIM	
39	58073192	1	SPRING	
40	56073148	1	SLEEVE	
41	51372479	1	BRACKET	
42	31112211	1	SCREW TE M10X30 UNI 5739	
43	51173115	1	THREE-POINT LINKAGE	
44	56472318	1	HINGE PIN	
45	F0862443010	1	SCREW M8X10 UNI 5927	
46	58071757	1	WASHER D.33x19,5/8	
47	51172962	1	SLEEVE	
48	56572959	1	PIN	
49	31241142	1	SELFLOCK NUT M14x1,5	



M.03.01-1

Pos.	Code	Q.ty	Description	Notes
1	51172830	1	SUPPORT	
2	56372831	1	SHAFT	
3	37112172	1	BEARING	
4	F0812523050	1	BEARING 6201-2RS	
5	35111047	1	SEEGER RING I 47 DIN 472	
6	F0801127050	1	SEEGER RING E 17X1,5 U/7436	
7	F0863359000	1	SCREW M10X40 UNI 5737	
8	F0863449000	1	SCREW M10X50 UNI 5737	
9	F0843755000	1	WASHER 10	
10	31211100	1	NUT M10	
11	51172832	1	PULLEY	
12	58172914	1	KEY	
13	F0814688010	1	NUT M12X1,5	
14	58172915	1	WASHER	
15	58174697	1	PUMP	
16	F0835024010	1	NIPPLE	
17	31112174	1	SCREW TE M8X110 UNI 5737 8.8	
18	58173337	1	FILTER	
18.1	58173642	1	FILTER INSERT	
19	56173338	1	FILTER SUPPORT	
20	31111151	1	SCREW TE M8X16 UNI 5739 8G	
21	F0843643060	1	WASHER 8	
22	59073339	1	SUCTION PIPE	
23	38112507	1	O-RING 3100 (25,07X2,62)	
24	59073340	1	SUCTION PIPE	
25	F0817523010	1	CLAMP	
26/1	58173543	1	FLEXIBLE HOSE	
26/2	58173053	1	FLEXIBLE HOSE	
27	56172917	1	PIPE FITTING	
28	F0840544000	1	ELBOW	
29	F0843109020	1	PIPE FITTING	
30	F0824110000	1	COPPER WASHER 3/8 GAS	
31	58074161	1	FLEXIBLE HOSE	
32	F0825416000	1	CLAMP	

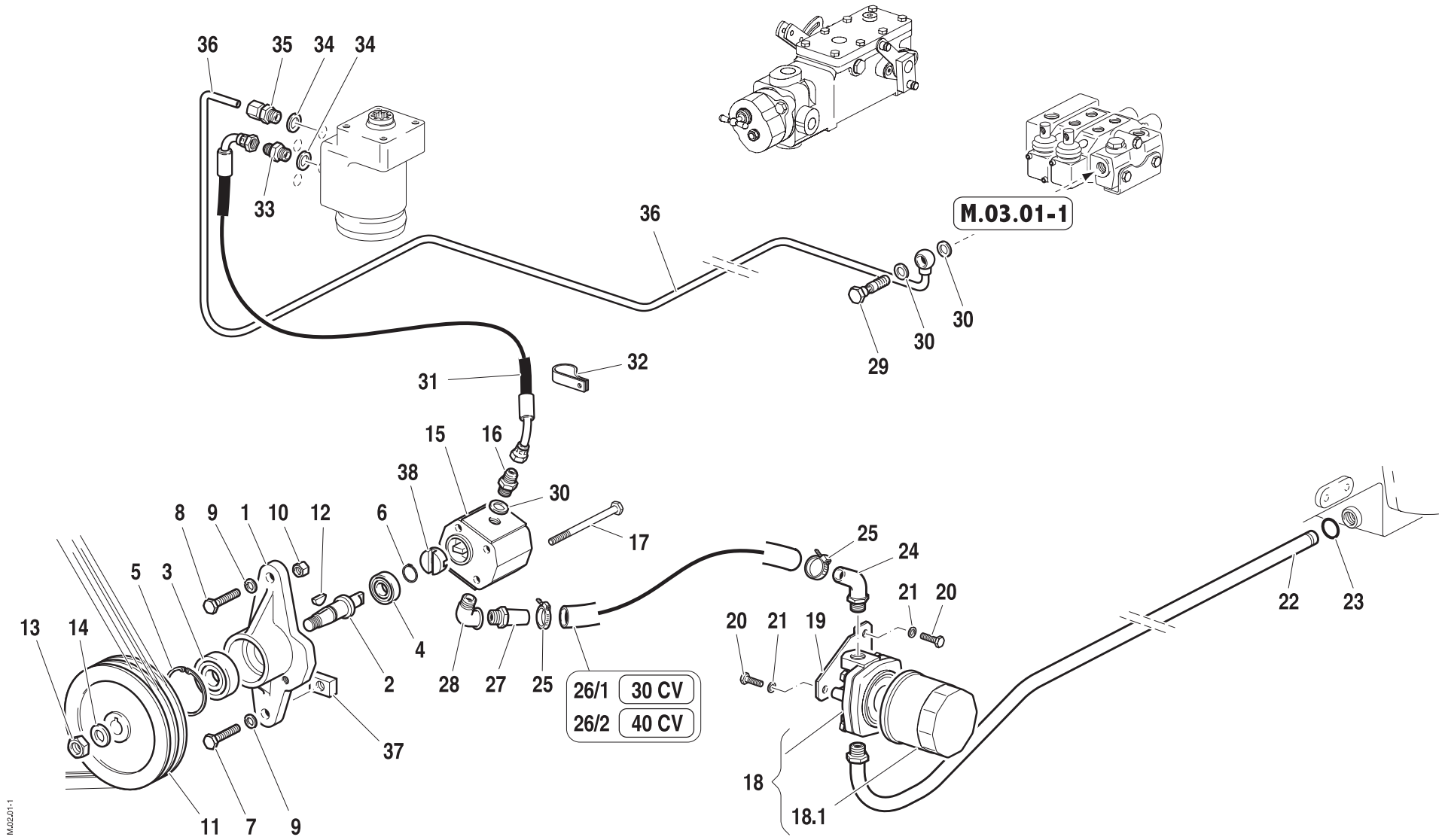
SERIAL

HYDRAULIC SYSTEM (OIL SUCTION)

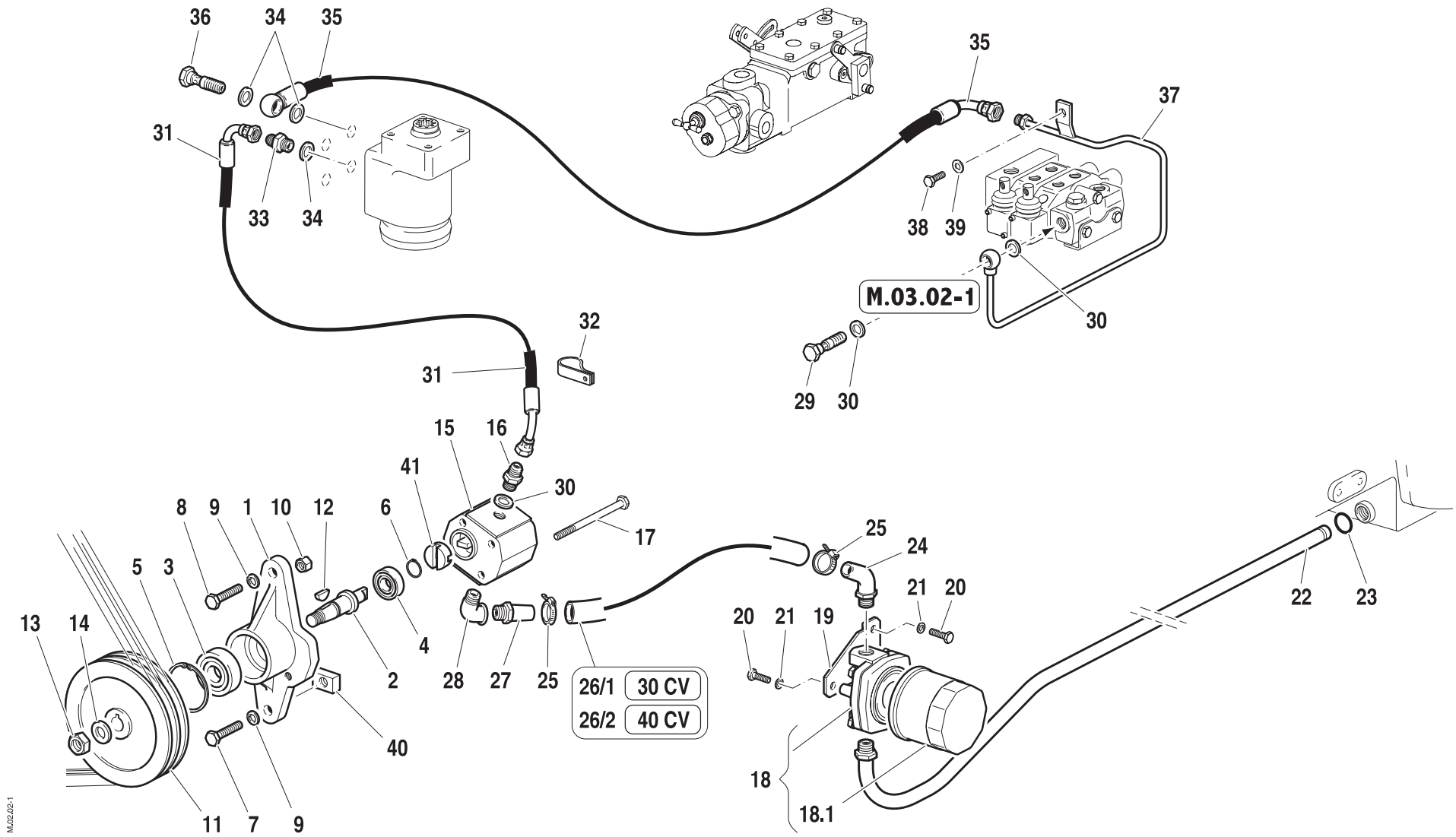
Version: 30-40CV

CODE REV

M.02.01_1_21578



Pos.	Code	Q.ty	Description	Notes
33	F0835037000	1	NIPPLE	
34	F0824141000	1	COPPER WASHER 21x27/1,5	
35	58173539	1	PIPE FITTING	
36	59075528	1	PRESSURE PIPE	
37	56176373	1	LOCKING MECHANISM	
38	56477572	1	JOINT	



Pos.	Code	Q.ty	Description	Notes
1	51172830	1	SUPPORT	
2	56372831	1	SHAFT	
3	37112172	1	BEARING	
4	F0812523050	1	BEARING 6201-2RS	
5	35111047	1	SEEGER RING I 47 DIN 472	
6	F0801127050	1	SEEGER RING E 17X1,5 U/7436	
7	F0863359000	1	SCREW M10X40 UNI 5737	
8	F0863449000	1	SCREW M10X50 UNI 5737	
9	F0843755000	1	WASHER 10	
10	31211100	1	NUT M10	
11	51172832	1	PULLEY	
12	58172914	1	KEY	
13	F0814688010	1	NUT M12X1,5	
14	58172915	1	WASHER	
15	58174697	1	PUMP	
16	F0835024010	1	NIPPLE	
17	31112174	1	SCREW TE M8X110 UNI 5737 8.8	
18	58173337	1	FILTER	
18.1	58173642	1	FILTER INSERT	
19	56173338	1	FILTER SUPPORT	
20	31111151	1	SCREW TE M8X16 UNI 5739 8G	
21	F0843643060	1	WASHER 8	
22	59073339	1	SUCTION PIPE	
23	38112507	1	O-RING 3100 (25,07X2,62)	
24	59073340	1	SUCTION PIPE	
25	F0817523010	1	CLAMP	
26/1	58173543	1	FLEXIBLE HOSE	
26/2	58173053	1	FLEXIBLE HOSE	
27	56172917	1	PIPE FITTING	
28	F0840544000	1	ELBOW	
29	F0843109020	1	PIPE FITTING	
30	F0824110000	1	COPPER WASHER 3/8 GAS	
31	58074161	1	FLEXIBLE HOSE	
32	F0825416000	1	CLAMP	

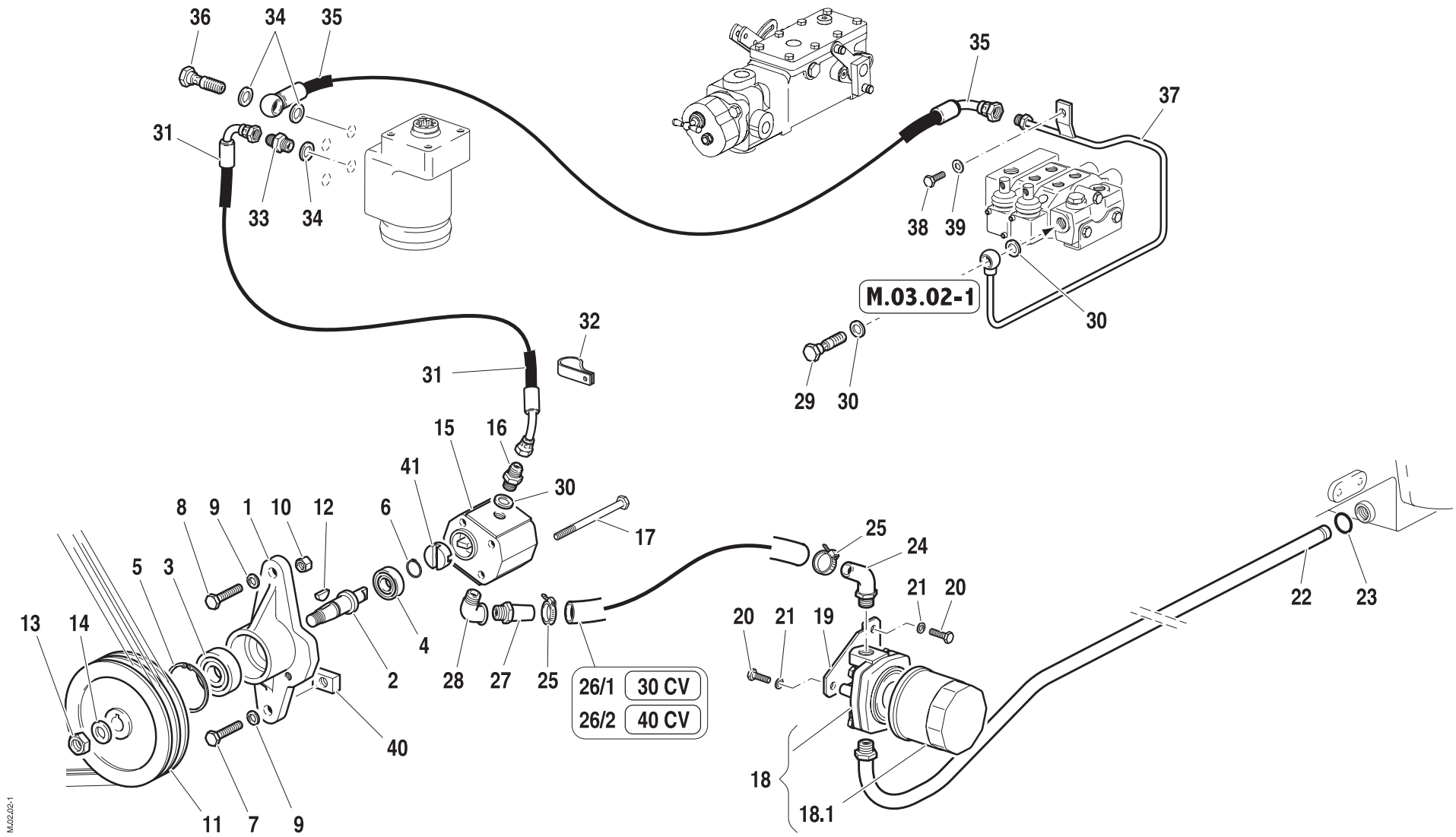
SERIAL

HYDRAULIC SYSTEM (OIL SUCTION) WITH CAB

Version: 30-40CV

CODE REV

M.02.02_1_21619

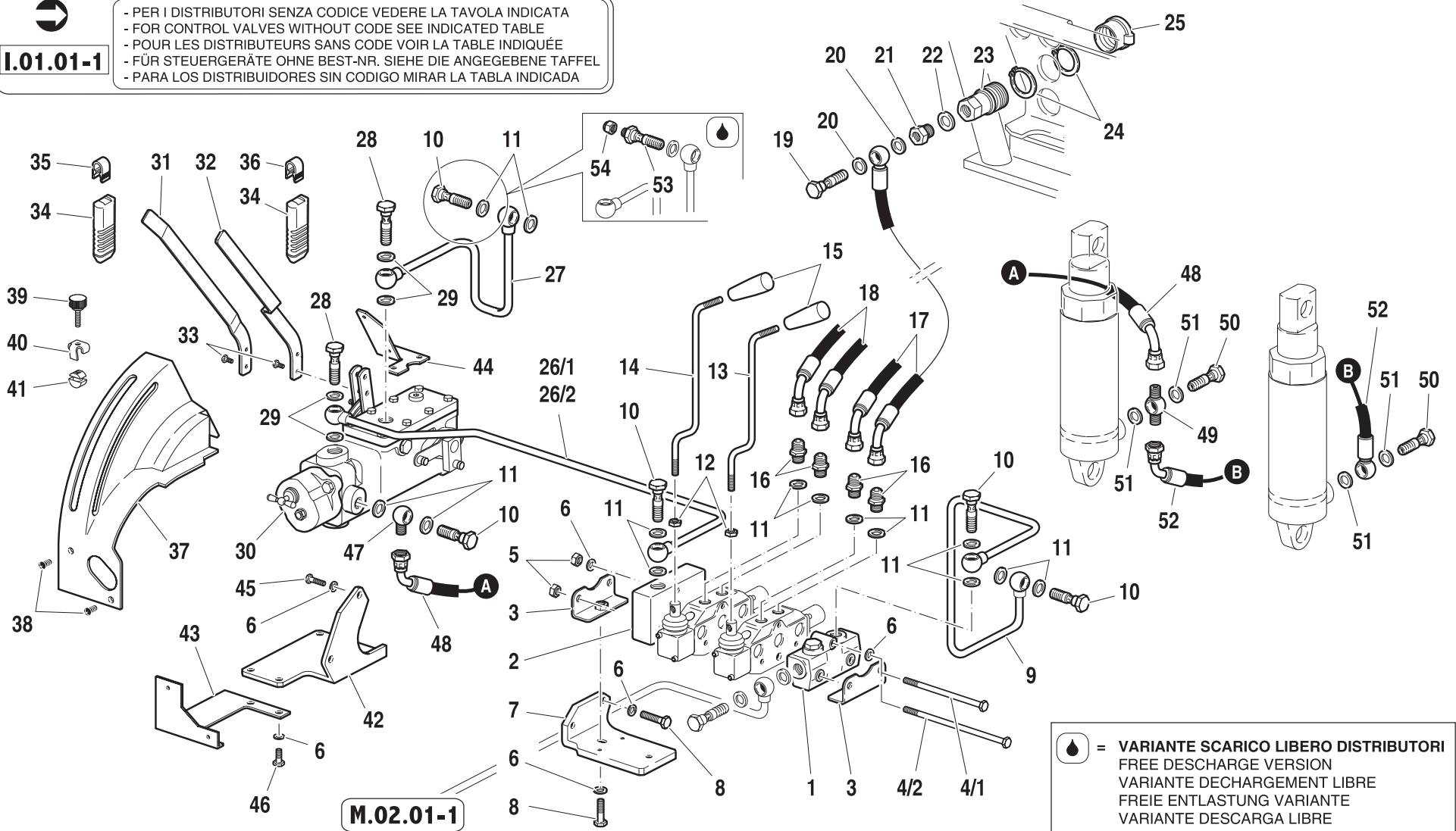


Pos.	Code	Q.ty	Description	Notes
33	F0835037000	1	NIPPLE	
34	F0824141000	1	COPPER WASHER 21x27/1,5	
35	58075592	1	FLEXIBLE HOSE	
36	F0843116000	1	PIPE FITTING 1/2	
37	59075596	1	PRESSURE PIPE	
38	31111091	1	SCREW E M6X14 UNI 5739 8G	
39	F0843570000	1	WASHER 6	
40	56176373	1	LOCKING MECHANISM	
41	56477572	1	JOINT	



I.01.01-1

- PER I DISTRIBUTORI SENZA CODICE VEDERE LA TAVOLA INDICATA
 - FOR CONTROL VALVES WITHOUT CODE SEE INDICATED TABLE
 - POUR LES DISTRIBUTEURS SANS CODE VOIR LA TABLE INDIQUÉE
 - FÜR STEUERGERÄTE OHNE BEST-NR. SIEHE DIE ANGELEGEBENE TAFEL
 - PARA LOS DISTRIBUIDORES SIN CODIGO MIRAR LA TABLA INDICADA



M.02.01-1

= **VARIANTE SCARICO LIBERO DISTRIBUTORI**
 FREE DISCHARGE VERSION
 VARIANTE DECHARGEMENT LIBRE
 FREIE ENTLASTUNG VARIANTE
 VARIANTE DESCARGA LIBRE

M.02.01-1

Pos.	Code	Q.ty	Description	Notes
1	58174700	1	HEAD	
2	58173361	1	COVER	
3	59072057	1	FIXING BRACKET	
4/1	58172490	1	ROD	
4/2	58172016	1	ROD	
5	31211080	1	NUT M8	
6	F0843643060	1	WASHER 8	
7	56172750	1	RETAINER	
8	31112146	1	SCREW TE M8X22 UNI 5739 8G	
9	59072787	1	EXHAUST	
10	F0843109020	1	PIPE FITTING	
11	F0824110000	1	COPPER WASHER 3/8 GAS	
12	31211100	1	NUT M10	
13	56175566	1	COMMAND LEVER	
14	56175567	1	COMMAND LEVER	
15	F0837534010	1	GRIP	
16	F0835023000	1	NIPPLE	
17	58072795	1	FLEXIBLE HOSE	
18	58075877	1	FLEXIBLE HOSE	
19	F0843107000	1	PIPE FITTING GAS 1/4	
20	F0843907000	1	COPPER WASHER 13,66x19/1,5	
21	F0835040020	1	REDUCTION	
22	F0824141000	1	COPPER WASHER 21x27/1,5	
23	F0825980030	1	COUPLING	
24	F0801297000	1	SEEGER RING E 40 UNI 7435	
25	F0852550010	1	GUARD	
26/1	59075475	1	PRESSURE PIPE	
26/2	59075474	1	PRESSURE PIPE	
27	59075530	1	EXHAUST	
28	F0843116000	1	PIPE FITTING 1/2	
29	F0824141000	1	COPPER WASHER 21x27/1,5	
30	58175472	1	DISTRIBUTOR	
31	56075483	1	COMMAND LEVER	
32	59075482	1	COMMAND LEVER	

SERIAL

LIFT WITH 2 D.E. CONTROL VALVES

Version: 30-40CV

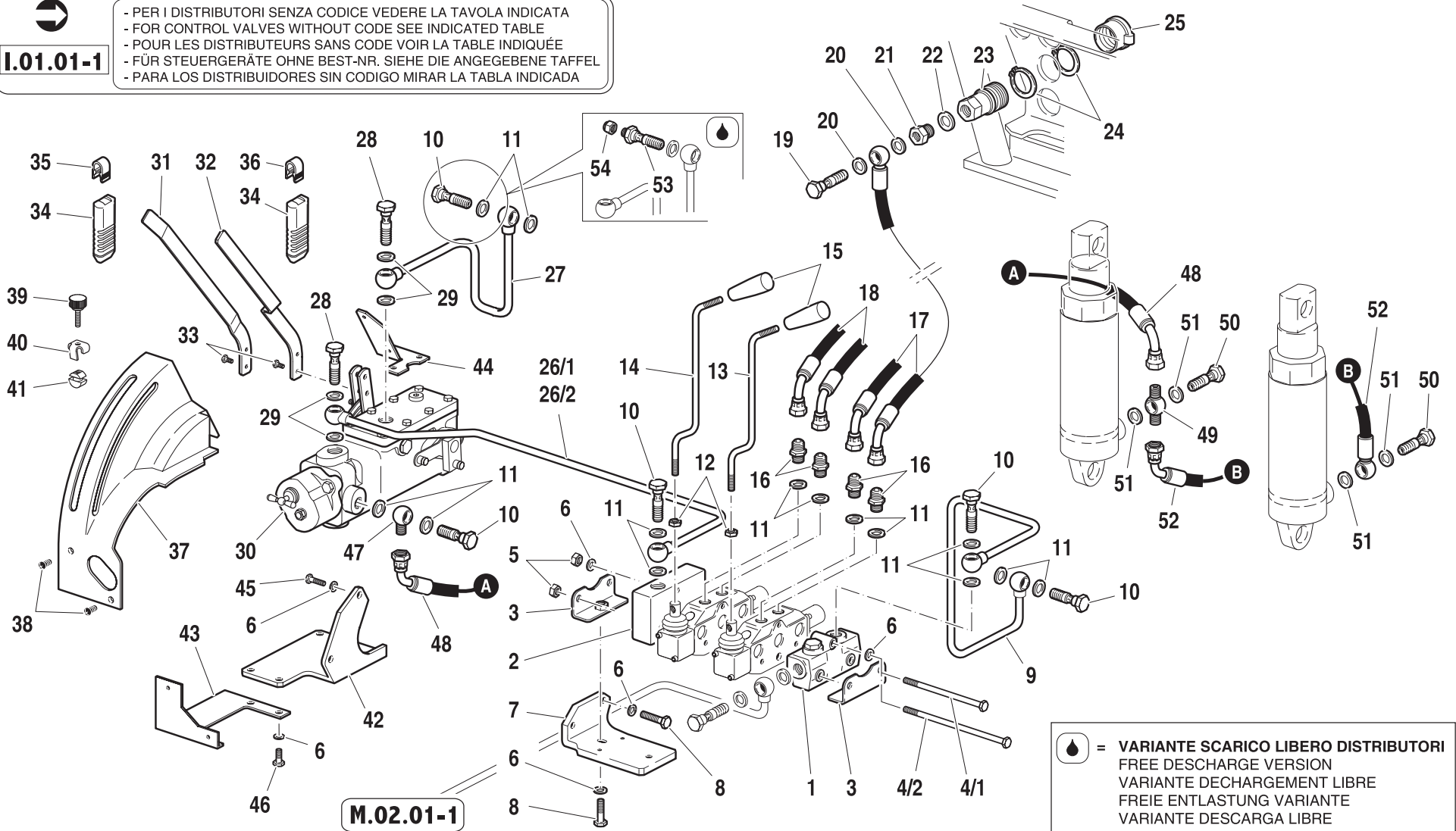
CODE REV

M.03.01_1_21663




I.01.01-1

- PER I DISTRIBUTORI SENZA CODICE VEDERE LA TAVOLA INDICATA
 - FOR CONTROL VALVES WITHOUT CODE SEE INDICATED TABLE
 - POUR LES DISTRIBUTEURS SANS CODE VOIR LA TABLE INDIQUÉE
 - FÜR STEUERGERÄTE OHNE BEST-NR. SIEHE DIE ANGEGBENE TAFEL
 - PARA LOS DISTRIBUIDORES SIN CODIGO MIRAR LA TABLA INDICADA



M.02.01-1

 = **VARIANTE SCARICO LIBERO DISTRIBUTORI**
 FREE DISCHARGE VERSION
 VARIANTE DECHARGEMENT LIBRE
 FREIE ENTLASTUNG VARIANTE
 VARIANTE DESCARGA LIBRE

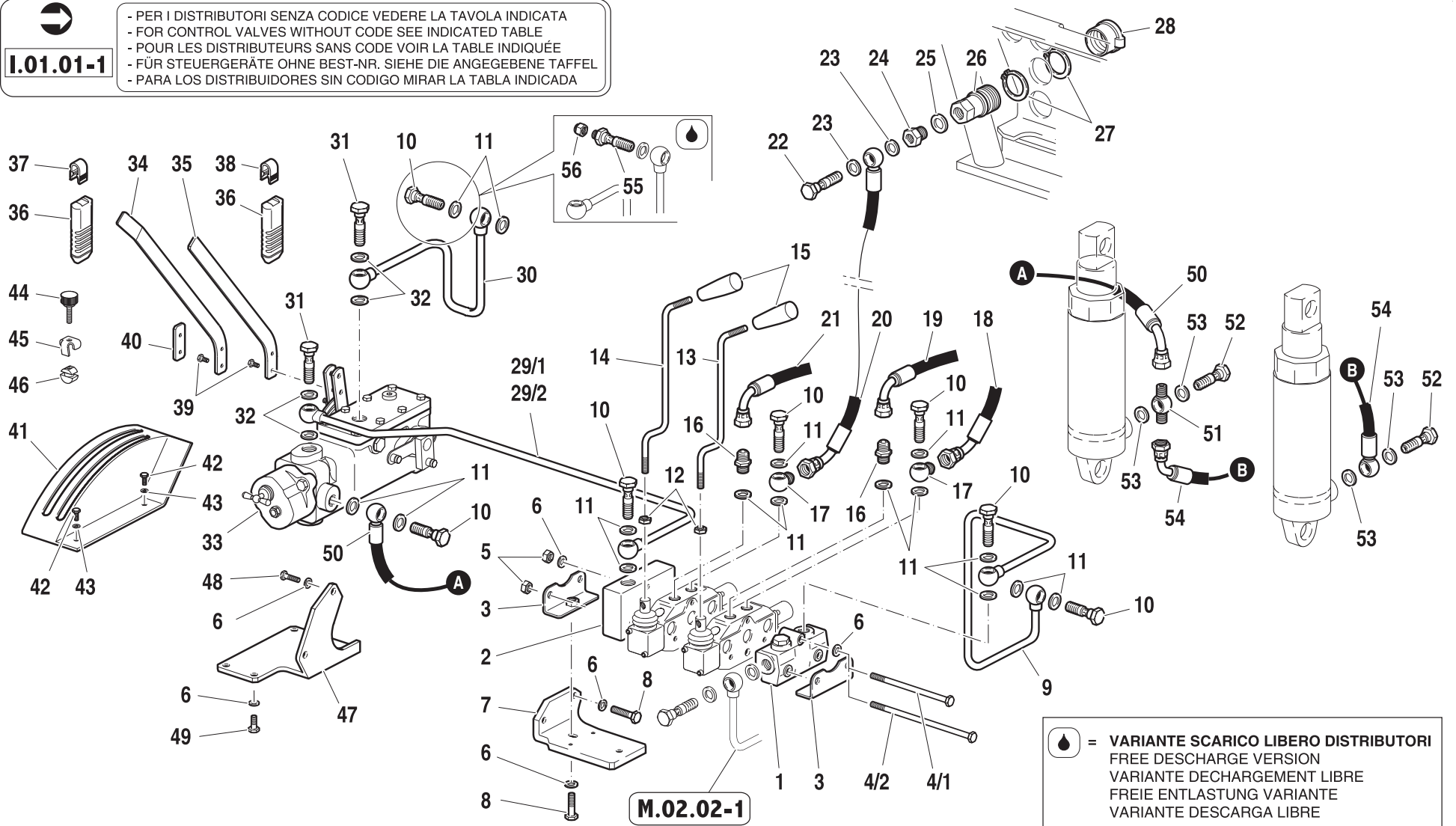
M.02.01-1

Pos.	Code	Q.ty	Description	Notes
33	31111090	1	SCREW TE M5X10 UNI 5739 8G	
34	58175187	1	KNOB	
35	58175211	1	INSERT	
36	58175188	1	INSERT	
37	57375465	1	COVER	
38	F0861973000	1	SCREW M6X10 COMBI	
39	58175196	1	KNOB	
40	56075197	1	CLIP	
41	56075198	1	SMALL BLOCK	
42	56075481	1	BRACKET	
43	56075479	1	RETAINER	
44	56075480	1	BRACKET	
45	31112150	1	SCREW TE M8X20 UNI 5739 8G	
46	31112147	1	SCREW TE M8X18 UNI 5739 8G	
47	F0842505010	1	EYELET	
48	58075531	1	FLEXIBLE HOSE	
49	F0842519050	1	PIPE FITTING	
50	F0843107000	1	PIPE FITTING GAS 1/4	
51	F0843907000	1	COPPER WASHER 13,66x19/1,5	
52	58072269	1	FLEXIBLE HOSE	
53	56373163	1	PIPE UNION	
54	F0852589000	1	PLUG	



I.01.01-1

- PER I DISTRIBUTORI SENZA CODICE VEDERE LA TAVOLA INDICATA
 - FOR CONTROL VALVES WITHOUT CODE SEE INDICATED TABLE
 - POUR LES DISTRIBUTEURS SANS CODE VOIR LA TABLE INDIQUÉE
 - FÜR STEUERGERÄTE OHNE BEST-NR. SIEHE DIE ANGEGEBENE TAFEL
 - PARA LOS DISTRIBUIDORES SIN CODIGO MIRAR LA TABLA INDICADA



M.02.02-1

= VARIANTE SCARICO LIBERO DISTRIBUTORI
 FREE DISCHARGE VERSION
 VARIANTE DECHARGEMENT LIBRE
 FREIE ENTLASTUNG VARIANTE
 VARIANTE DESCARGA LIBRE

Pos.	Code	Q.ty	Description	Notes
1	58174700	1	HEAD	
2	58173361	1	COVER	
3	59072057	1	FIXING BRACKET	
4/1	58172490	1	ROD	
4/2	58172016	1	ROD	
5	31211080	1	NUT M8	
6	F0843643060	1	WASHER 8	
7	56172750	1	RETAINER	
8	31112146	1	SCREW TE M8X22 UNI 5739 8G	
9	59072787	1	EXHAUST	
10	F0843109020	1	PIPE FITTING	
11	F0824110000	1	COPPER WASHER 3/8 GAS	
12	31211100	1	NUT M10	
13	56175566	1	COMMAND LEVER	
14	56175567	1	COMMAND LEVER	
15	F0837534010	1	GRIP	
16	F0835023000	1	NIPPLE	
17	F0842505010	1	EYELET	
18	58075373	1	FLEXIBLE HOSE	
19	58072796	1	FLEXIBLE HOSE	
20	58072795	1	FLEXIBLE HOSE	
21	F0150028193	1	FLEXIBLE HOSE	
22	F0843107000	1	PIPE FITTING GAS 1/4	
23	F0843907000	1	COPPER WASHER 13,66x19/1,5	
24	F0835040020	1	REDUCTION	
25	F0824141000	1	COPPER WASHER 21x27/1,5	
26	F0825980030	1	COUPLING	
27	F0801297000	1	SEEGER RING E 40 UNI 7435	
28	F0852550010	1	GUARD	
29/1	59075595	1	PRESSURE PIPE	
29/2	59075594	1	PRESSURE PIPE	
30	59075530	1	EXHAUST	
31	F0843116000	1	PIPE FITTING 1/2	
32	F0824141000	1	COPPER WASHER 21x27/1,5	

SERIAL

LIFT WITH 2 D.E. CONTROL VALVES (CAB VERSION)

Version: 30-40CV

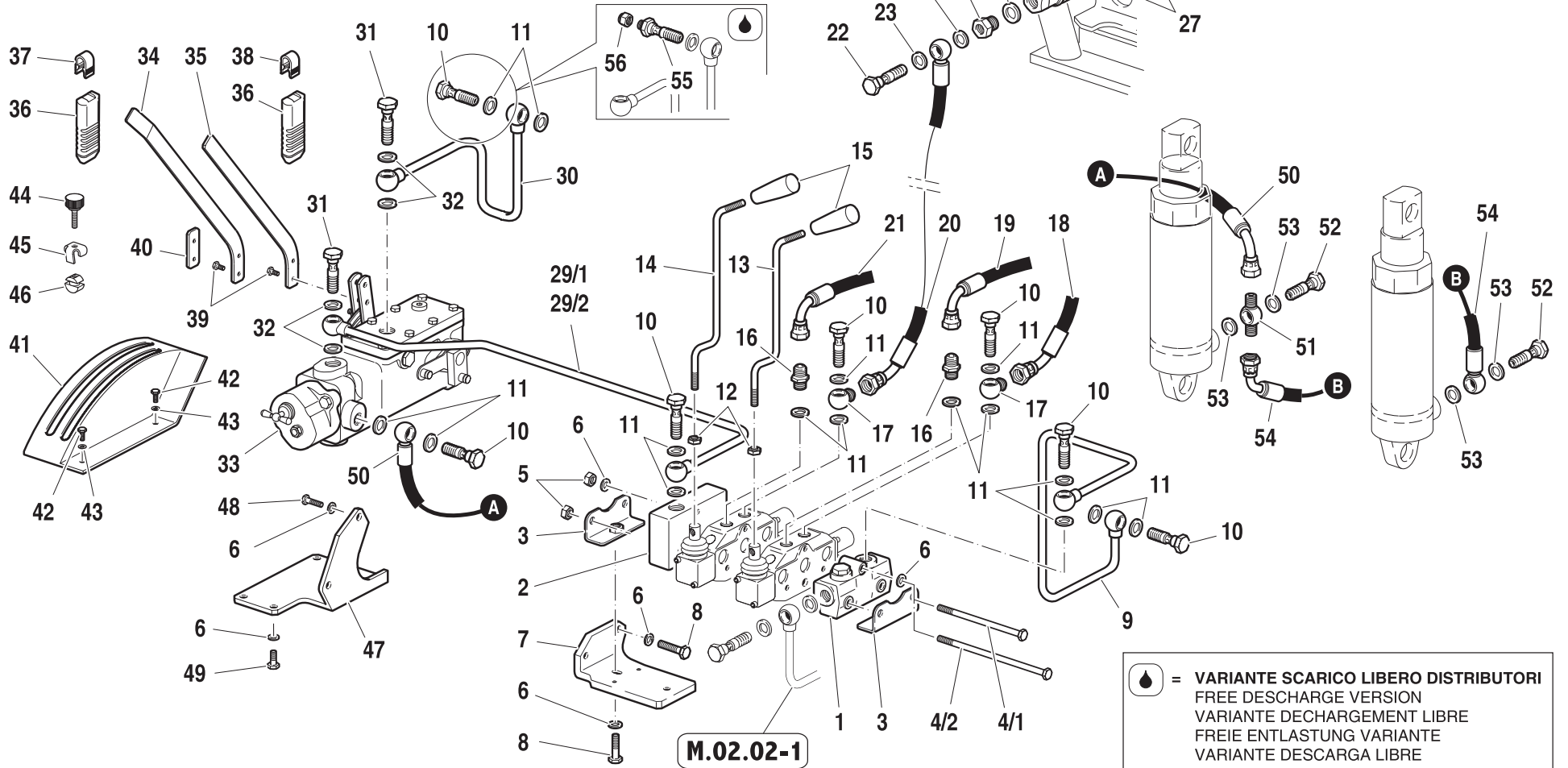
CODE REV

M.03.02_1_21720



I.01.01-1

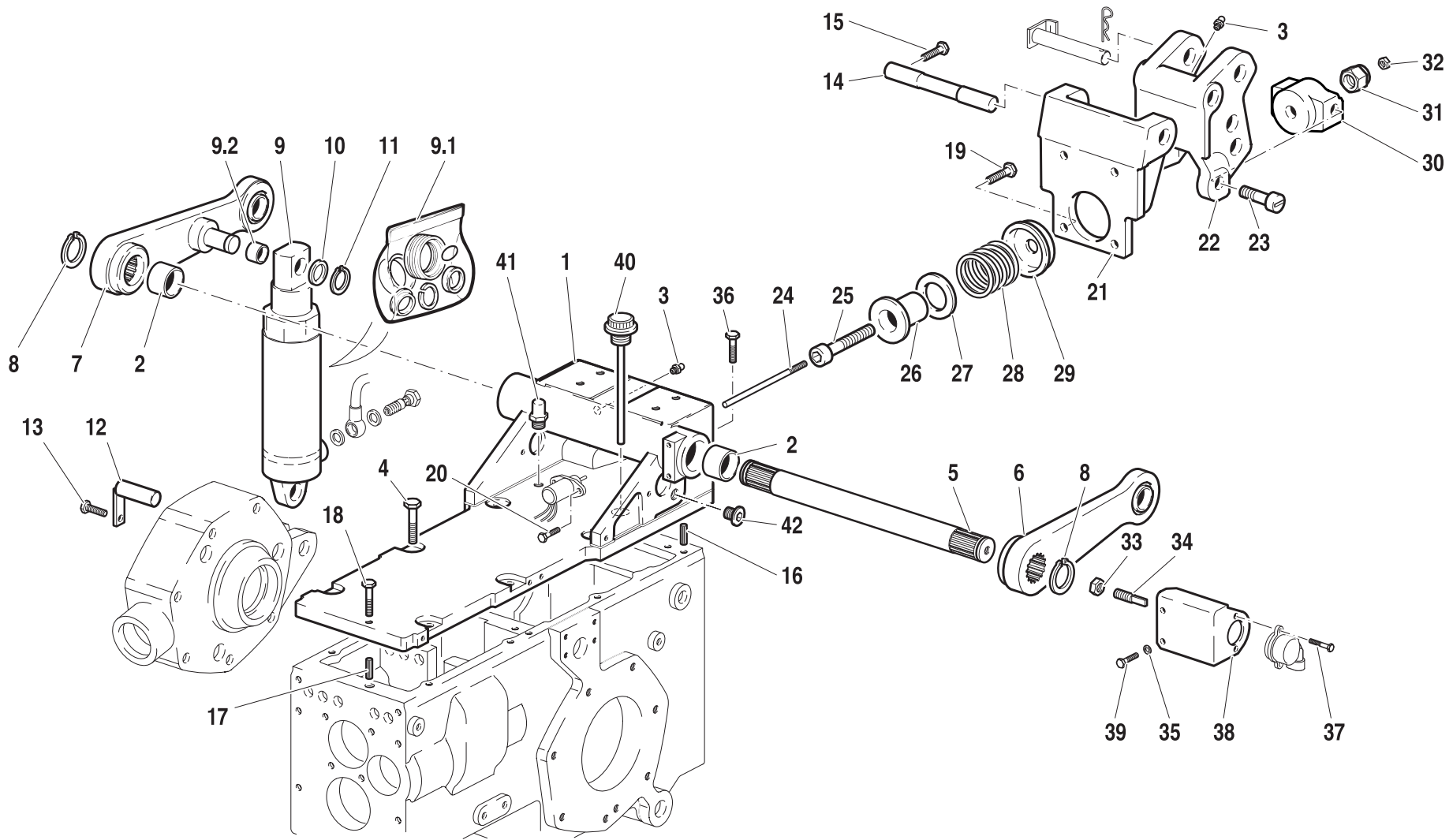
- PER I DISTRIBUTORI SENZA CODICE VEDERE LA TAVOLA INDICATA
 - FOR CONTROL VALVES WITHOUT CODE SEE INDICATED TABLE
 - POUR LES DISTRIBUTEURS SANS CODE VOIR LA TABLE INDIQUÉE
 - FÜR STEUERGERÄTE OHNE BEST-NR. SIEHE DIE ANGEGEBENE TAFEL
 - PARA LOS DISTRIBUIDORES SIN CODIGO MIRAR LA TABLA INDICADA



M.02.02-1

= **VARIANTE SCARICO LIBERO DISTRIBUTORI**
 FREE DISCHARGE VERSION
 VARIANTE DECHARGEMENT LIBRE
 FREIE ENTLASTUNG VARIANTE
 VARIANTE DESCARGA LIBRE

Pos.	Code	Q.ty	Description	Notes
33	58175472	1	DISTRIBUTOR	
34	56075582	1	COMMAND LEVER	
36	58175187	1	KNOB	
37	58175211	1	INSERT	
38	58175188	1	INSERT	
39	31111090	1	SCREW TE M5X10 UNI 5739 8G	
40	56075578	1	SHEET	
41	57375605	1	COVER	
42	31112090	1	SCREW TE M6X16 UNI 5739 8G	
43	F0843570000	1	WASHER 6	
44	58175196	1	KNOB	
45	56075197	1	CLIP	
46	56075198	1	SMALL BLOCK	
47	56075481	1	BRACKET	
48	31112150	1	SCREW TE M8X20 UNI 5739 8G	
49	31112147	1	SCREW TE M8X18 UNI 5739 8G	
50	58075591	1	FLEXIBLE HOSE	
51	F0842519050	1	PIPE FITTING	
52	F0843107000	1	PIPE FITTING GAS 1/4	
53	F0843907000	1	COPPER WASHER 13,66x19/1,5	
54	58072269	1	FLEXIBLE HOSE	
55	56373163	1	PIPE UNION	
56	F0852589000	1	PLUG	



Pos.	Code	Q.ty	Description	Notes
1	51172366	1	SUPPORT	
2	58171861	1	BUSHING	
3	F0826056000	1	LUBRICATOR M10 UNI 7663A	
4	31112219	1	SCREW TE M10X25 UNI 5739	
5	56571785	1	SHAFT	
6	59072829	1	LIFTING ARM	
7	59071771	1	RIGHT ARM	
8	F0801264050	1	SEEGER RING E 35X2,5 U/7436	
9	58071534	1	LIFTING CYLINDER	
9.1	59900181	1	GASKET SET	
9.2	59900180	1	BUSHING	
10	56172905	1	THRUST PLATE	
11	F0801149010	1	SEEGER RING E 20 7436D/471-2	
12	59071786	1	HINGE PIN	
13	31111151	1	SCREW TE M8X16 UNI 5739 8G	
14	56472318	1	HINGE PIN	
15	F0862443010	1	SCREW M8X10 UNI 5927	
16	56370228	1	CYLINDRICAL PLUG	
17	56170017	1	PIN	
18	31112154	1	SCREW TE M8X40 UNI 5739 8G	
19	31112211	1	SCREW TE M10X30 UNI 5739	
20	F0861929060	1	SCREW M5X12 UNI 5739	
21	51372479	1	BRACKET	
22	51173115	1	THREE-POINT LINKAGE	
23	56572959	1	PIN	
24	56172483	1	PIN	
25	58072484	1	SCREW	
26	56072960	1	SLEEVE	
27	56372952	1	SHIM	
27	56372953	1	SHIM	
27	56372954	1	SHIM	
27	56372955	1	SHIM	
28	58073192	1	SPRING	
29	56073148	1	SLEEVE	

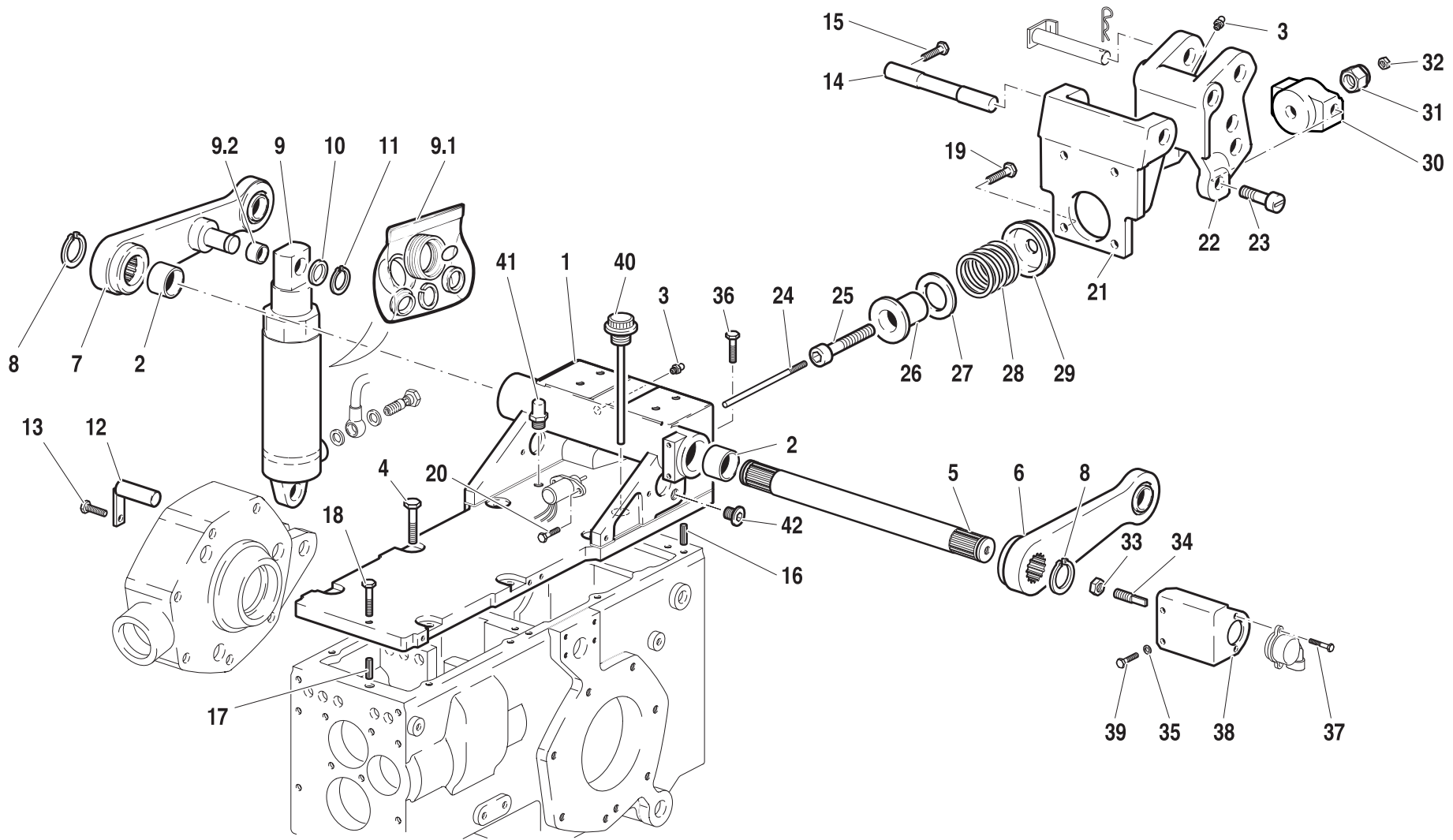
SERIAL

ELECTRONIC CONTROL LIFT (1 LIFTING JACK VERSION)

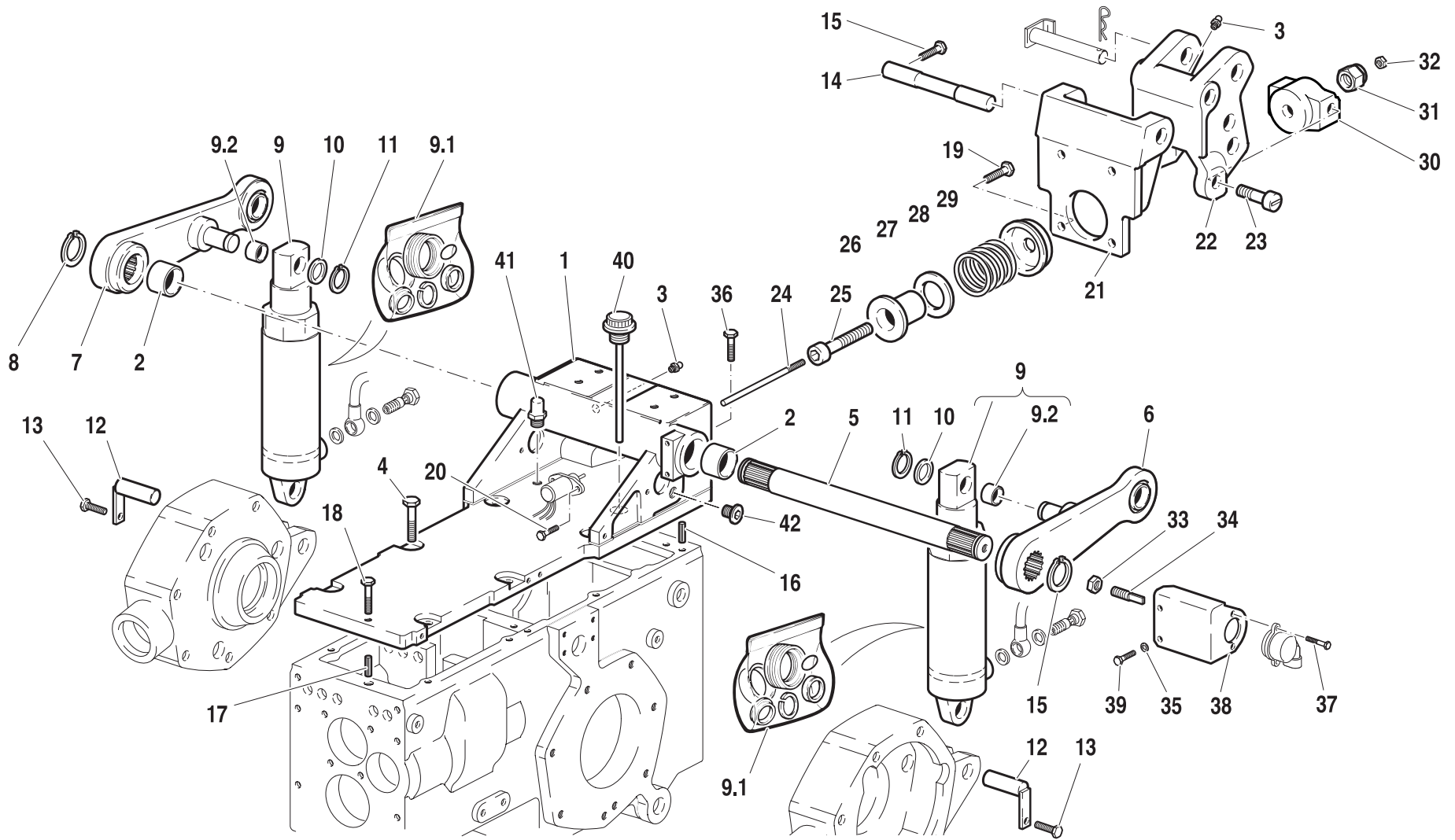
Version: 30-40CV

CODE REV

N.01.01_0_21778



Pos.	Code	Q.ty	Description	Notes
30	51172962	1	SLEEVE	
31	31241142	1	SELFLOCK NUT M14x1,5	
32	F0814535050	1	NUT M6	
33	F0814627000	1	NUT M10	
34	56172926	1	PIN	
35	F0843570000	1	WASHER 6	
36	F0863358000	1	SCREW TE M10X40 UNI 5737	
37	31112049	1	SCREW TE M4X10 UNI 5739 8G	



Pos.	Code	Q.ty	Description	Notes
1	51172366	1	SUPPORT	
2	58171861	1	BUSHING	
3	F0826056000	1	LUBRICATOR M10 UNI 7663A	
4	31112219	1	SCREW TE M10X25 UNI 5739	
5	59071783	1	LIFTING ARM	
6	59072829	1	LIFTING ARM	
7	59071771	1	RIGHT ARM	
8	F0801264050	1	SEEGER RING E 35X2,5 U/7436	
9	58071534	1	LIFTING CYLINDER	
9.1	59900181	1	GASKET SET	
9.2	59900180	1	BUSHING	
10	56172905	1	THRUST PLATE	
11	F0801149010	1	SEEGER RING E 20 7436D/471-2	
12	59071786	1	HINGE PIN	
13	31111151	1	SCREW TE M8X16 UNI 5739 8G	
14	56472318	1	HINGE PIN	
15	F0862443010	1	SCREW M8X10 UNI 5927	
16	56370228	1	CYLINDRICAL PLUG	
17	56170017	1	PIN	
18	31112154	1	SCREW TE M8X40 UNI 5739 8G	
19	31112211	1	SCREW TE M10X30 UNI 5739	
20	F0861929060	1	SCREW M5X12 UNI 5739	
21	51372479	1	BRACKET	
22	51173115	1	THREE-POINT LINKAGE	
23	56572959	1	PIN	
24	56172483	1	PIN	
25	58072484	1	SCREW	
26	56072960	1	SLEEVE	
27	56372952	1	SHIM	
27	56372953	1	SHIM	
27	56372954	1	SHIM	
27	56372955	1	SHIM	
28	58073192	1	SPRING	
29	56073148	1	SLEEVE	

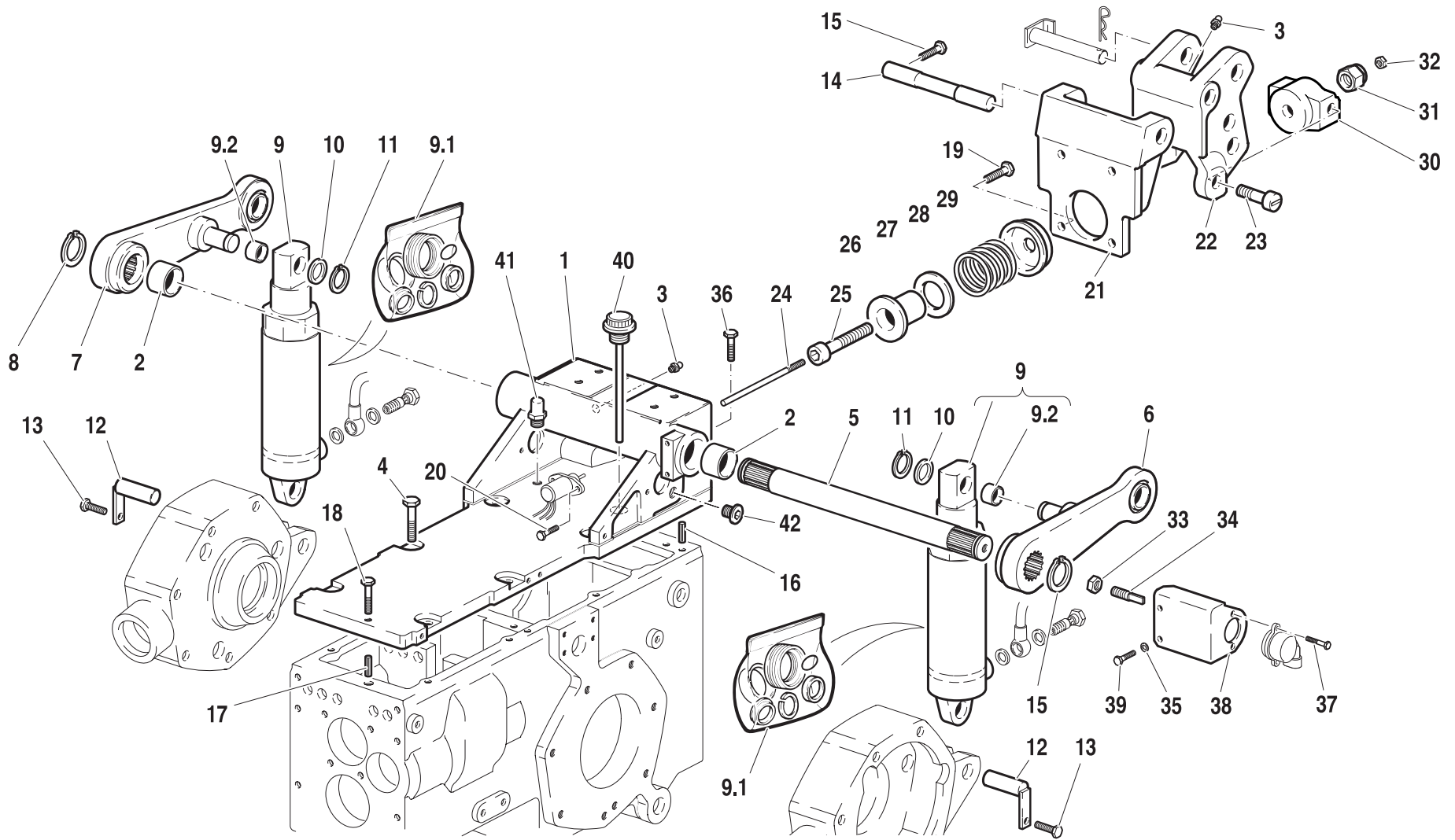
SERIAL

ELECTRONIC CONTROL LIFT (2 LIFTING JACKS VERSION)

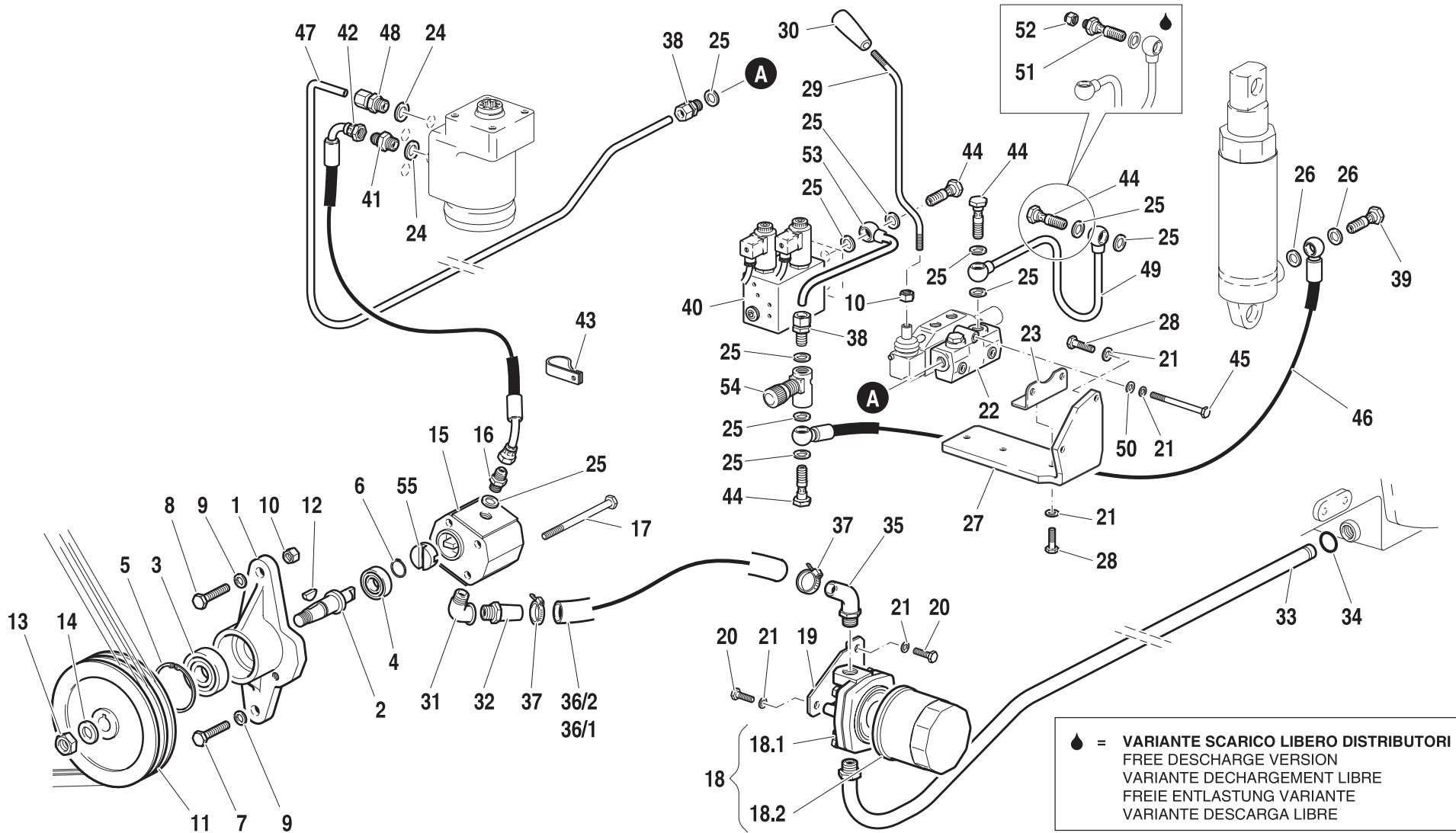
Version: 30-40CV

CODE REV

N.01.02_0_21821



Pos.	Code	Q.ty	Description	Notes
30	51172962	1	SLEEVE	
31	31241142	1	SELFLOCK NUT M14x1,5	
32	F0814535050	1	NUT M6	
33	F0814627000	1	NUT M10	
34	56172926	1	PIN	
35	F0843570000	1	WASHER 6	
36	F0863358000	1	SCREW TE M10X40 UNI 5737	
37	31112049	1	SCREW TE M4X10 UNI 5739 8G	



Pos.	Code	Q.ty	Description	Notes
1	51172830	1	SUPPORT	
2	56372831	1	SHAFT	
3	37112172	1	BEARING	
4	F0812523050	1	BEARING 6201-2RS	
5	35111047	1	SEEGER RING I 47 DIN 472	
6	F0801127050	1	SEEGER RING E 17X1,5 U/7436	
7	F0863359000	1	SCREW M10X40 UNI 5737	
8	F0863449000	1	SCREW M10X50 UNI 5737	
9	F0843755000	1	WASHER 10	
10	31211100	1	NUT M10	
11	51172832	1	PULLEY	
12	58172914	1	KEY	
13	F0814688010	1	NUT M12X1,5	
14	58172915	1	WASHER	
15	58174697	1	PUMP	
15.1	58172916	1	JOINT	
16	F0835024010	1	NIPPLE	
17	31112174	1	SCREW TE M8X110 UNI 5737 8.8	
18	58173337	1	FILTER	
18.1	F0825718010	1	FILTER HEAD	
18.2	58173642	1	FILTER INSERT	
19	56173338	1	FILTER SUPPORT	
20	31111151	1	SCREW TE M8X16 UNI 5739 8G	
21	F0843643060	1	WASHER 8	
22	58174700	1	HEAD	
23	59072057	1	FIXING BRACKET	
24	F0824141000	1	COPPER WASHER 21x27/1,5	
25	F0824110000	1	COPPER WASHER 3/8 GAS	
26	F0843907000	1	COPPER WASHER 13,66x19/1,5	
27	56172561	1	RETAINER	
28	31112146	1	SCREW TE M8X22 UNI 5739 8G	
29	56172769	1	COMMAND LEVER	
30	F0837534010	1	GRIP	
31	F0840544000	1	ELBOW	

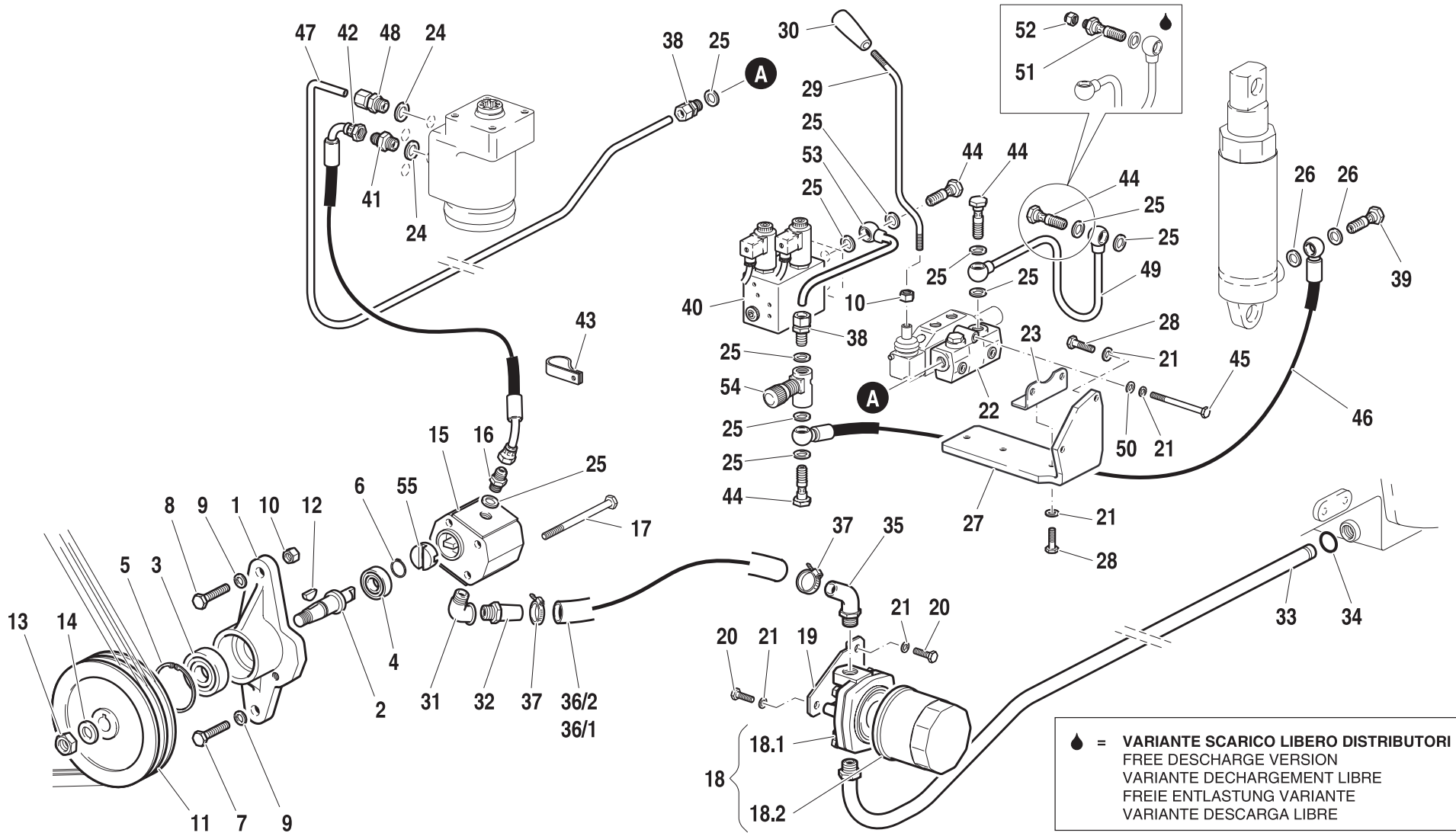
SERIAL

HYDRAULIC SYSTEM (1 LIFTING JACK VERSION)

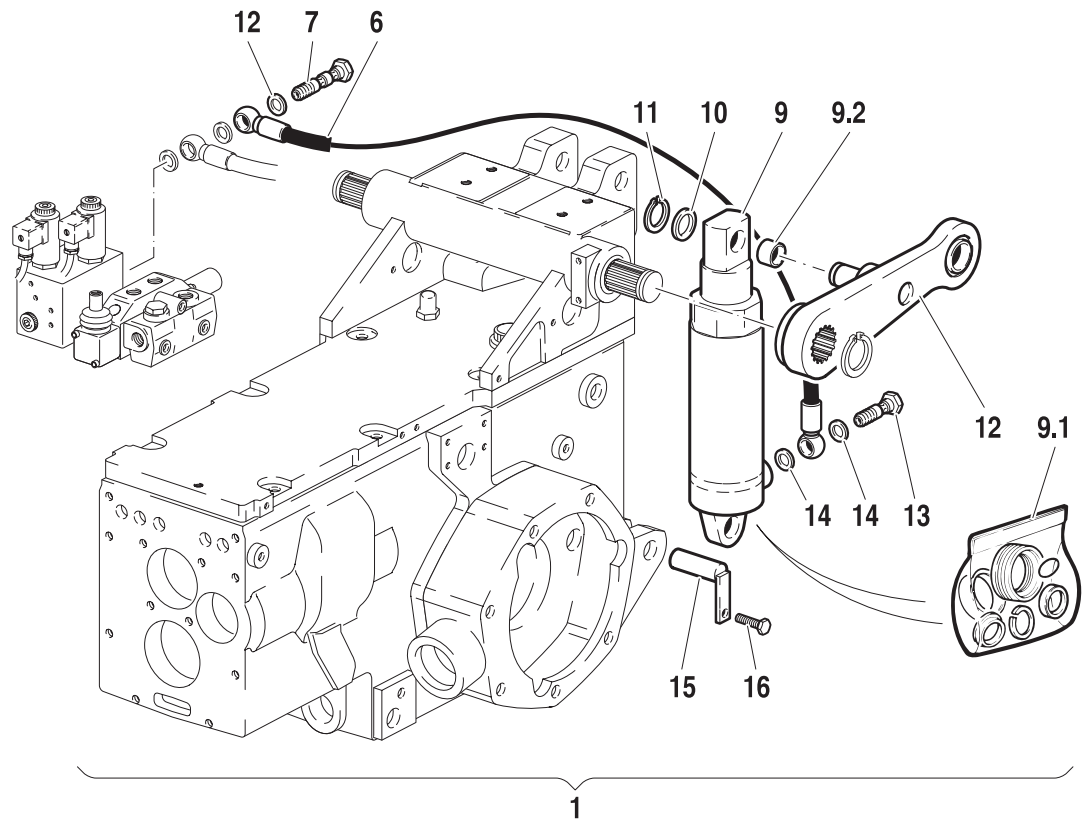
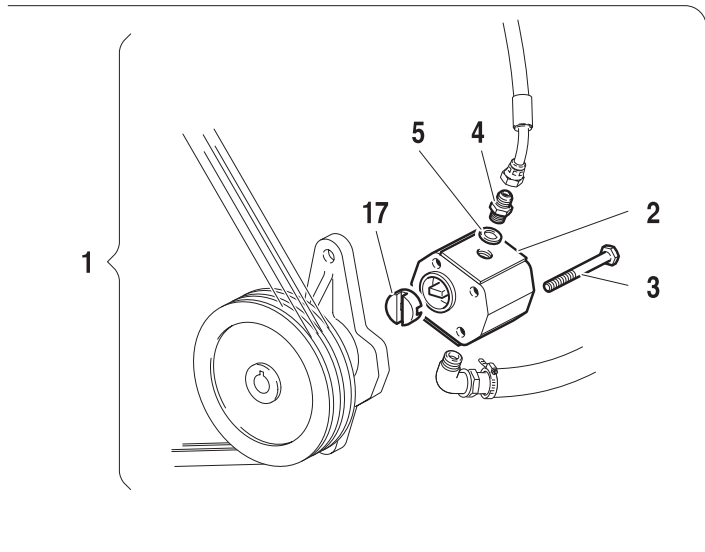
Version: 30-40CV

CODE REV

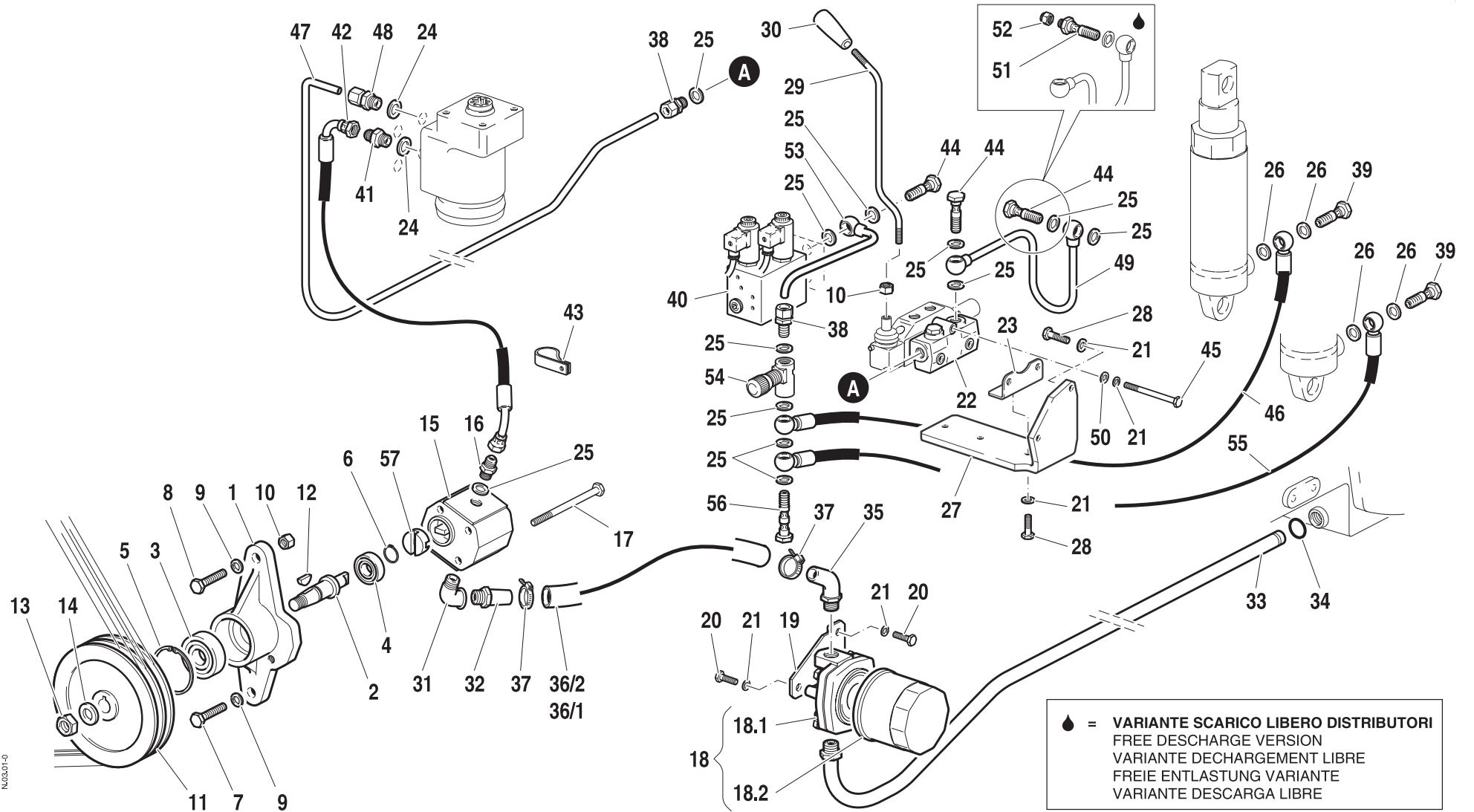
N.02.01_0_21864



Pos.	Code	Q.ty	Description	Notes
32	56172917	1	PIPE FITTING	
33	59073339	1	SUCTION PIPE	
34	38112507	1	O-RING 3100 (25,07X2,62)	
35	59073340	1	SUCTION PIPE	
36/1	58173543	1	FLEXIBLE HOSE	
36/2	58173053	1	FLEXIBLE HOSE	
37	F0817523010	1	CLAMP	
38	58172015	1	PIPE FITTING	
39	F0843107000	1	PIPE FITTING GAS 1/4	
40	58173143	1	UNIT	
41	F0835037000	1	NIPPLE	
42	58074161	1	FLEXIBLE HOSE	
43	F0825416000	1	CLAMP	
44	F0843109020	1	PIPE FITTING	
45	31112158	1	SCREW TE M8X70 UNI 5737 8G	
46	58073544	1	FLEXIBLE HOSE	
47	59075453	1	DISTRIBUTING PIPE	
48	58173539	1	PIPE FITTING	
49	59073160	1	EXHAUST	
50	31411084	1	WASHER 8,4x17	
51	56373163	1	PIPE UNION	
52	F0852589000	1	PLUG	
53	59074664	1	PRESSURE PIPE	
54	P24117100000	1	VALVE	



Pos.	Code	Q.ty	Description	Notes
1	59978034	1	KIT	
2	58174697	1	PUMP	
2.1	58172916	1	JOINT	
3	31112174	1	SCREW TE M8X110 UNI 5737 8.8	
4	F0835037000	1	NIPPLE	
5	F0824141000	1	COPPER WASHER 21x27/1,5	
6	58073020	1	FLEXIBLE HOSE	
7	58172589	1	THREADED TERMINAL END	
8	F0824110000	1	COPPER WASHER 3/8 GAS	
9	58071534	1	LIFTING CYLINDER	
9.1	59900181	1	GASKET SET	
9.2	59900180	1	BUSHING	
10	56172905	1	THRUST PLATE	
11	F0801149010	1	SEEGER RING E 20 7436D/471-2	
12	59071783	1	LIFTING ARM	
13	F0843107000	1	PIPE FITTING GAS 1/4	
14	F0843907000	1	COPPER WASHER 13,66x19/1,5	
15	59071786	1	HINGE PIN	
16	31111151	1	SCREW TE M8X16 UNI 5739 8G	



Pos.	Code	Q.ty	Description	Notes
1	51172830	1	SUPPORT	
2	56372831	1	SHAFT	
3	37112172	1	BEARING	
4	F0812523050	1	BEARING 6201-2RS	
5	35111047	1	SEEGER RING I 47 DIN 472	
6	F0801127050	1	SEEGER RING E 17X1,5 U/7436	
7	F0863359000	1	SCREW M10X40 UNI 5737	
8	F0863449000	1	SCREW M10X50 UNI 5737	
9	F0843755000	1	WASHER 10	
10	31211100	1	NUT M10	
11	51172832	1	PULLEY	
12	58172914	1	KEY	
13	F0814688010	1	NUT M12X1,5	
14	58172915	1	WASHER	
15	58174697	1	PUMP	
15.1	58172916	1	JOINT	
16	F0835024010	1	NIPPLE	
17	31112174	1	SCREW TE M8X110 UNI 5737 8.8	
18	58173337	1	FILTER	
18.1	F0825718010	1	FILTER HEAD	
18.2	58173642	1	FILTER INSERT	
19	56173338	1	FILTER SUPPORT	
20	31111151	1	SCREW TE M8X16 UNI 5739 8G	
21	F0843643060	1	WASHER 8	
22	58174700	1	HEAD	
23	59072057	1	FIXING BRACKET	
24	F0824141000	1	COPPER WASHER 21x27/1,5	
25	F0824110000	1	COPPER WASHER 3/8 GAS	
26	F0843907000	1	COPPER WASHER 13,66x19/1,5	
27	56172561	1	RETAINER	
28	31112146	1	SCREW TE M8X22 UNI 5739 8G	
29	56172769	1	COMMAND LEVER	
30	F0837534010	1	GRIP	
31	F0840544000	1	ELBOW	

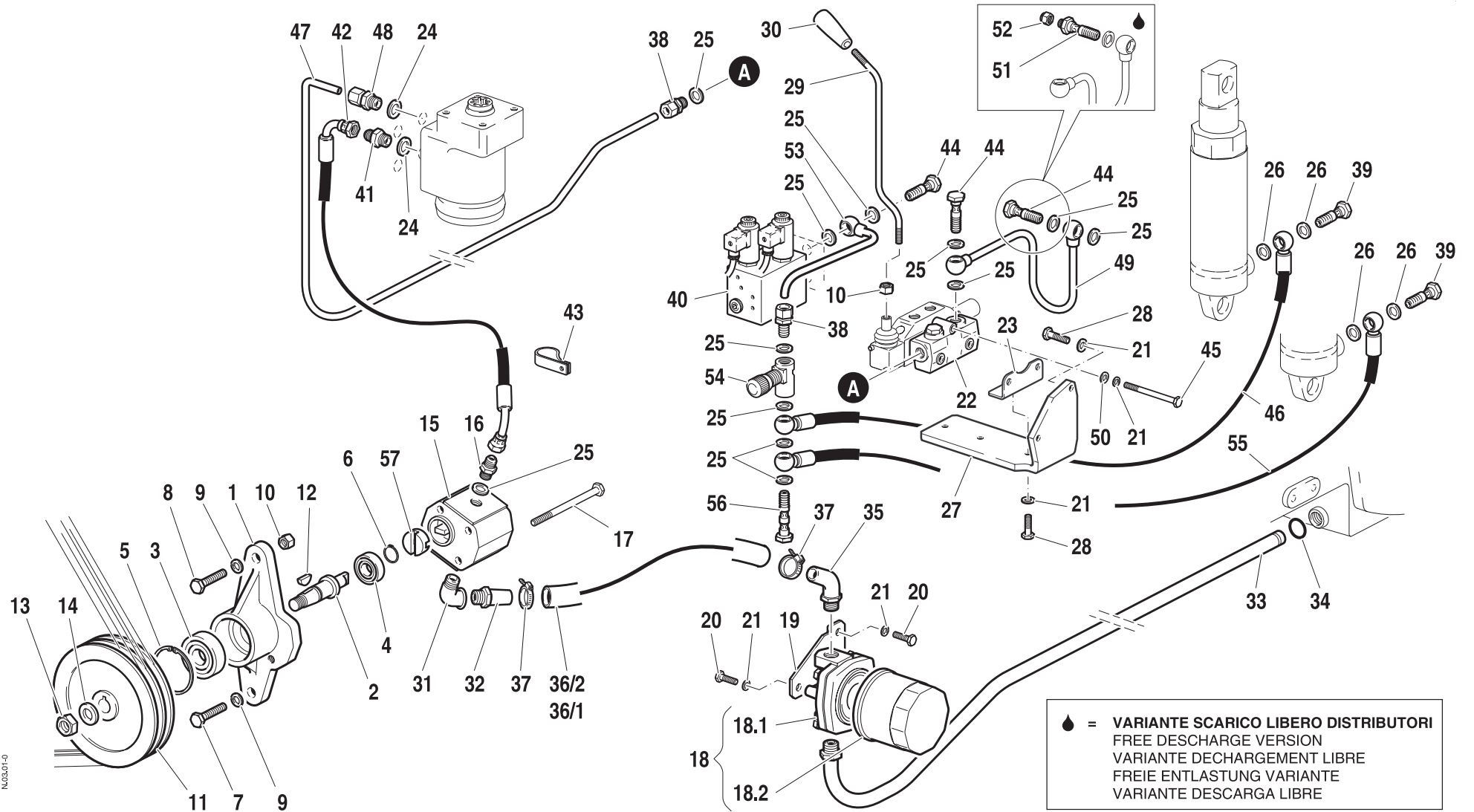
SERIAL

HYDRAULIC SYSTEM (2 LIFTING JACKS VERSION)

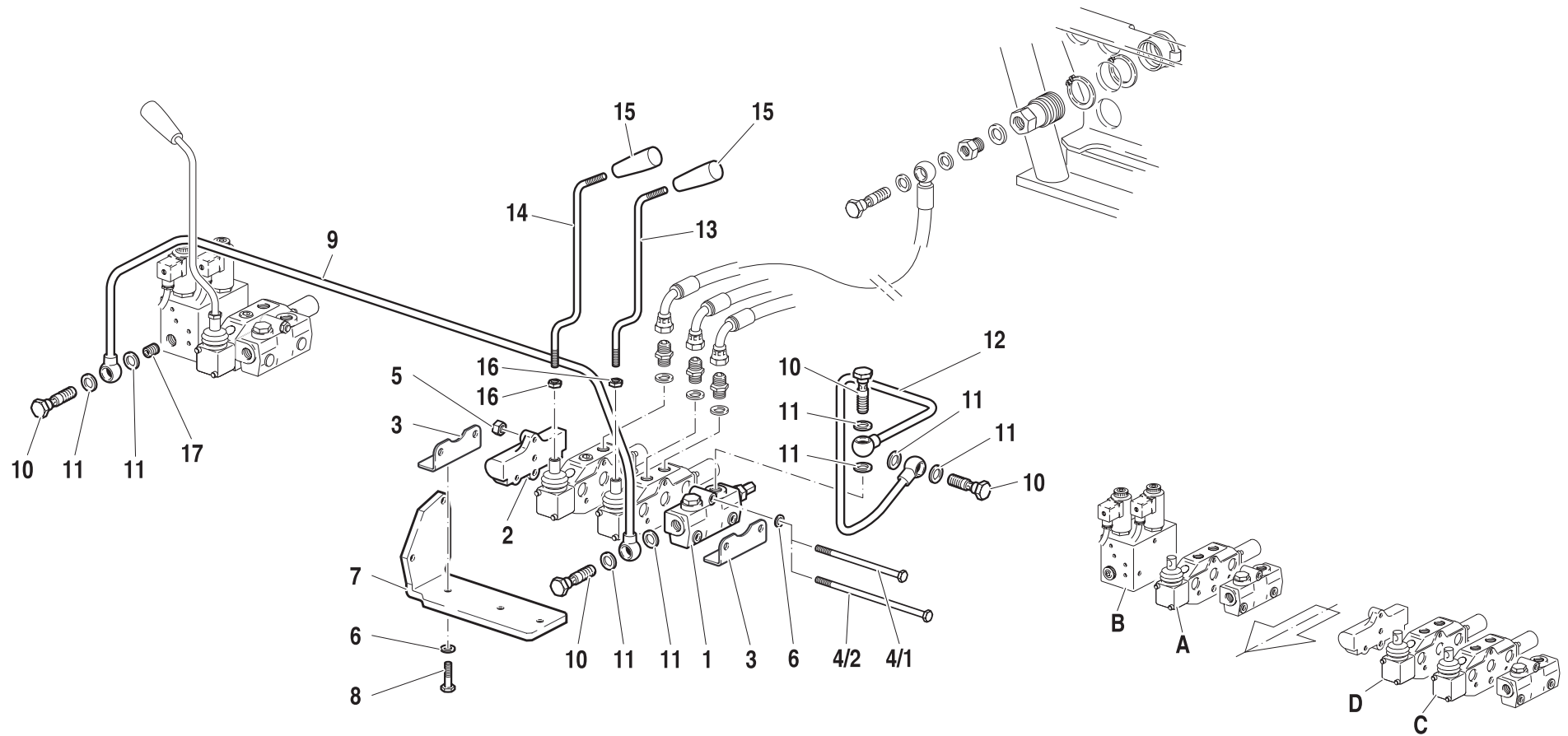
Version: 30-40CV

CODE REV

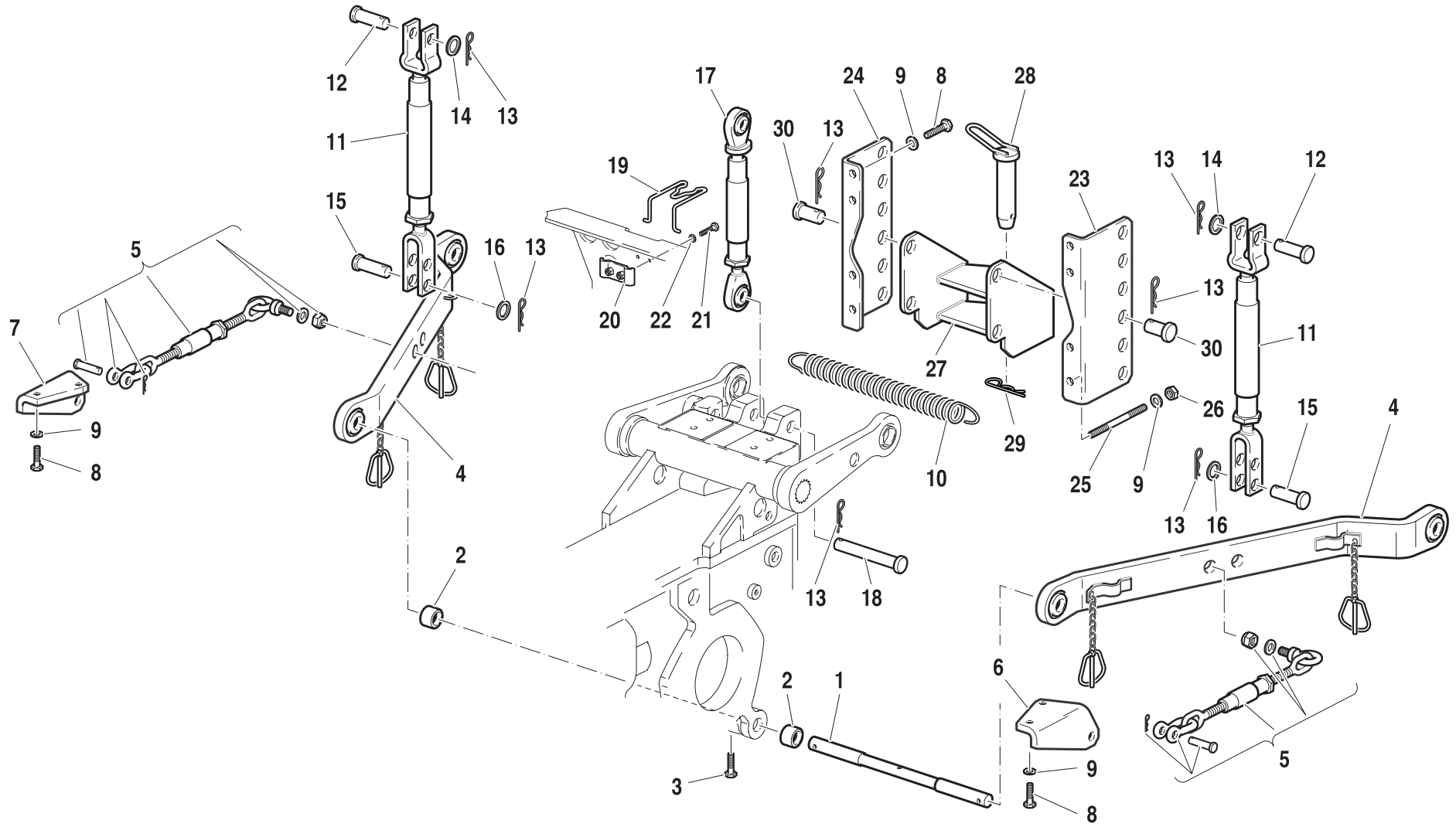
N.03.01_0_21943



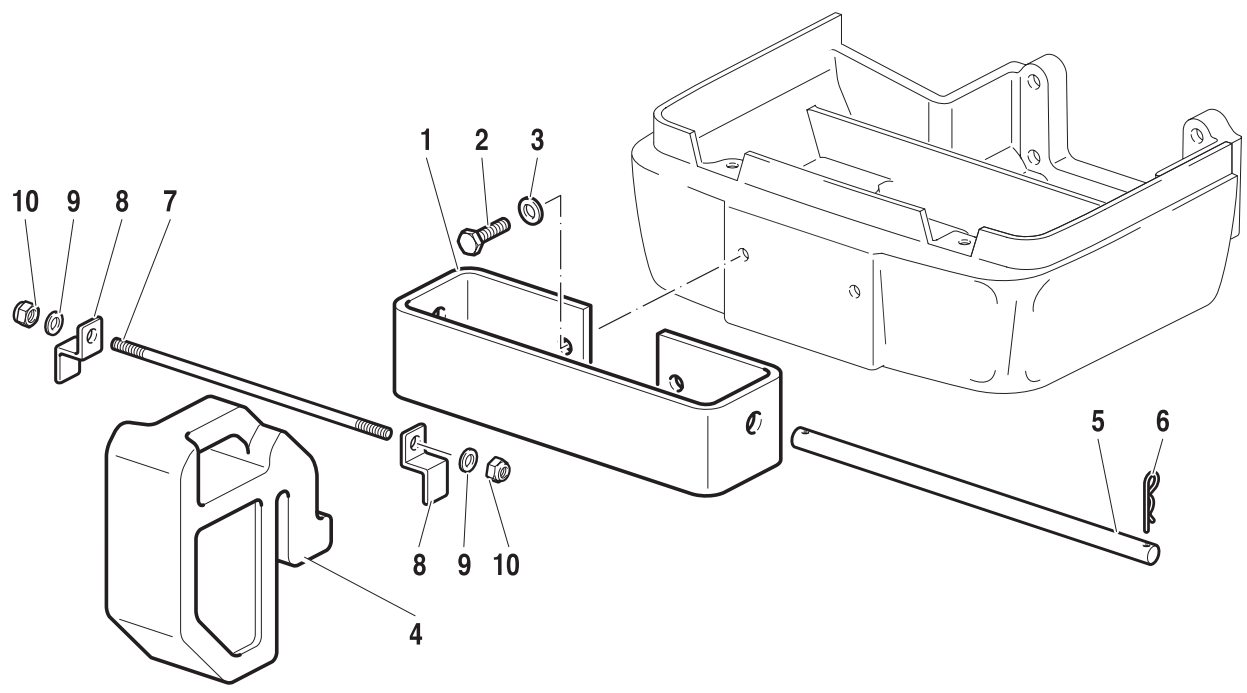
Pos.	Code	Q.ty	Description	Notes
32	56172917	1	PIPE FITTING	
33	59073339	1	SUCTION PIPE	
34	38112507	1	O-RING 3100 (25,07X2,62)	
35	59073340	1	SUCTION PIPE	
36/1	58173543	1	FLEXIBLE HOSE	
36/2	58173053	1	FLEXIBLE HOSE	
37	F0817523010	1	CLAMP	
38	58172015	1	PIPE FITTING	
39	F0843107000	1	PIPE FITTING GAS 1/4	
40	58173143	1	UNIT	
41	F0835037000	1	NIPPLE	
42	58074161	1	FLEXIBLE HOSE	
43	F0825416000	1	CLAMP	
44	F0843109020	1	PIPE FITTING	
45	31112158	1	SCREW TE M8X70 UNI 5737 8G	
46	58073544	1	FLEXIBLE HOSE	
47	59075453	1	DISTRIBUTING PIPE	
48	58173539	1	PIPE FITTING	
49	59073160	1	EXHAUST	
50	31411084	1	WASHER 8,4x17	
51	56373163	1	PIPE UNION	
52	F0852589000	1	PLUG	
53	59074664	1	PRESSURE PIPE	
54	P24117100000	1	VALVE	
55	58072136	1	FLEXIBLE HOSE	
56	58172589	1	THREADED TERMINAL END	



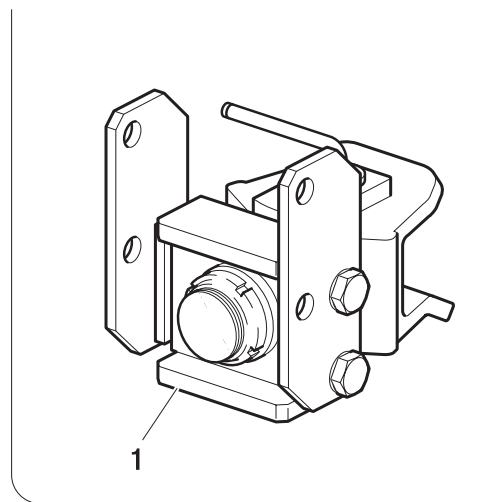
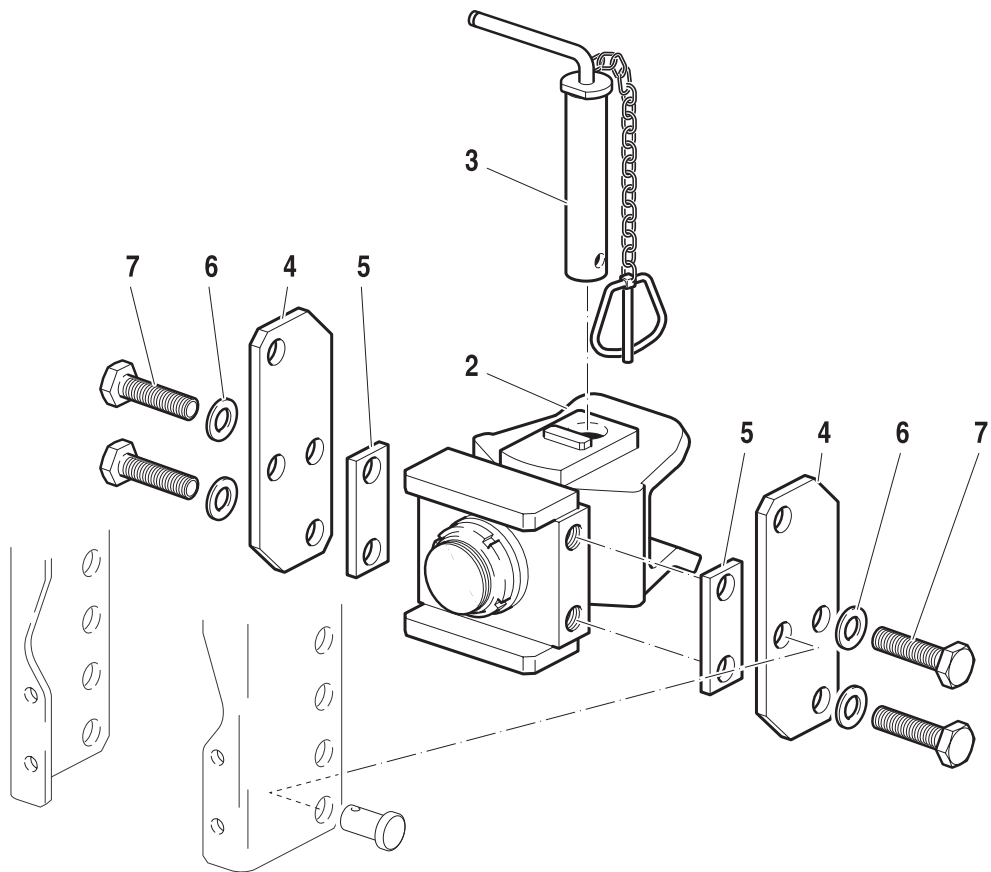
Pos.	Code	Q.ty	Description	Notes
1	58174700	1	HEAD	
2	58172489	1	COVER	
3	59072057	1	FIXING BRACKET	
4/1	58172490	1	ROD	
4/2	58172016	1	ROD	
5	31211080	1	NUT M8	
6	F0843643060	1	WASHER 8	
7	56172750	1	RETAINER	
8	31112146	1	SCREW TE M8X22 UNI 5739 8G	
9	59073021	1	PIPE	
10	F0843109020	1	PIPE FITTING	
11	F0824110000	1	COPPER WASHER 3/8 GAS	
12	59072787	1	EXHAUST	
13	56172770	1	COMMAND LEVER	
14	56172769	1	COMMAND LEVER	
15	F0837534010	1	GRIP	
16	31211100	1	NUT M10	
17	F0852578060	1	CONICAL PLUG	



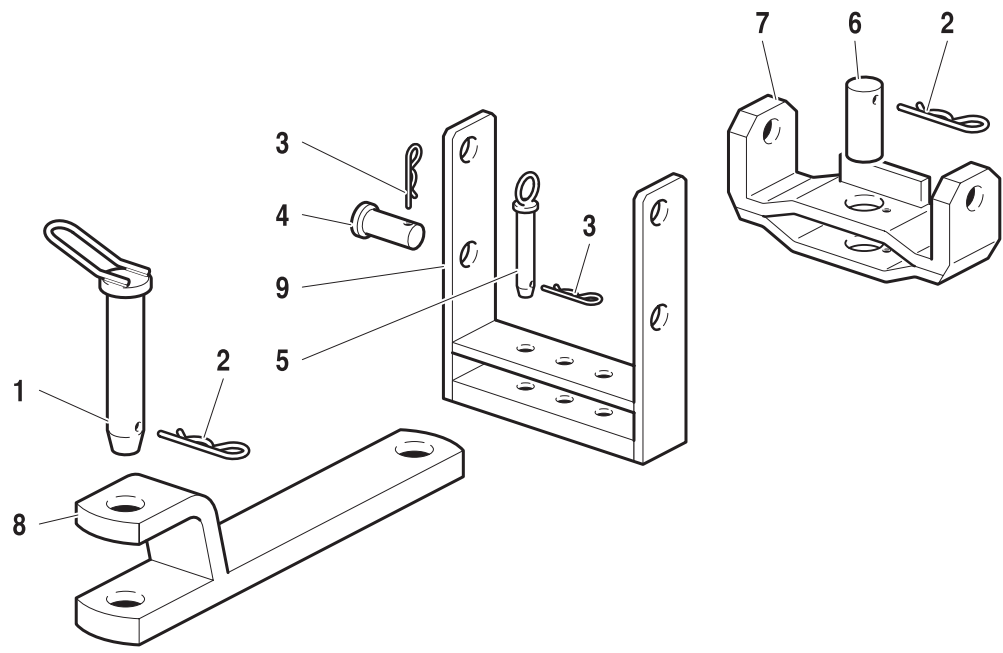
Pos.	Code	Q.ty	Description	Notes
1	56571824	1	PIN	
2	F0844283020	1	SPACER D.38x22/22	
3	31111151	1	SCREW TE M8X16 UNI 5739 8G	
4	59073045	1	BOTTOM LINK	
5	58071998	1	ROD	
6	56074233	1	SUPPORT	
7	56074234	1	SUPPORT	
8	31112272	1	SCREW TE M12X30 UNI 5739	
9	F0843843060	1	WASHER 12	
10	58072465	1	RETAINING SPRING	
11	58072626	1	ROD	
12	58072642	1	PIN	
13	F0851486000	1	SPLIT PIN	
14	31411190	1	WASHER 19x34	
15	56372086	1	PIN	
16	31411170	1	WASHER 17x30	
17	58176294	1	ROD	
18	56371210	1	CONNECTING BOLT	
19	58170449	1	RETAINING SPRING	
20	59070448	1	FIXING BRACKET	
21	31112150	1	SCREW TE M8X20 UNI 5739 8G	
22	F0843643060	1	WASHER 8	
23	56171788	1	SUPPORT	
24	56171789	1	SUPPORT	
25	F0838610000	1	STUD BOLT M12X25 UNI 5911	
26	F0814695000	1	NUT M12	
27	F0190031203	1	TOW HOOK	
28	F0808060100	1	LATCH D.28X117	
29	F0851497000	1	SPLIT PIN	
30	56372067	1	PIN	



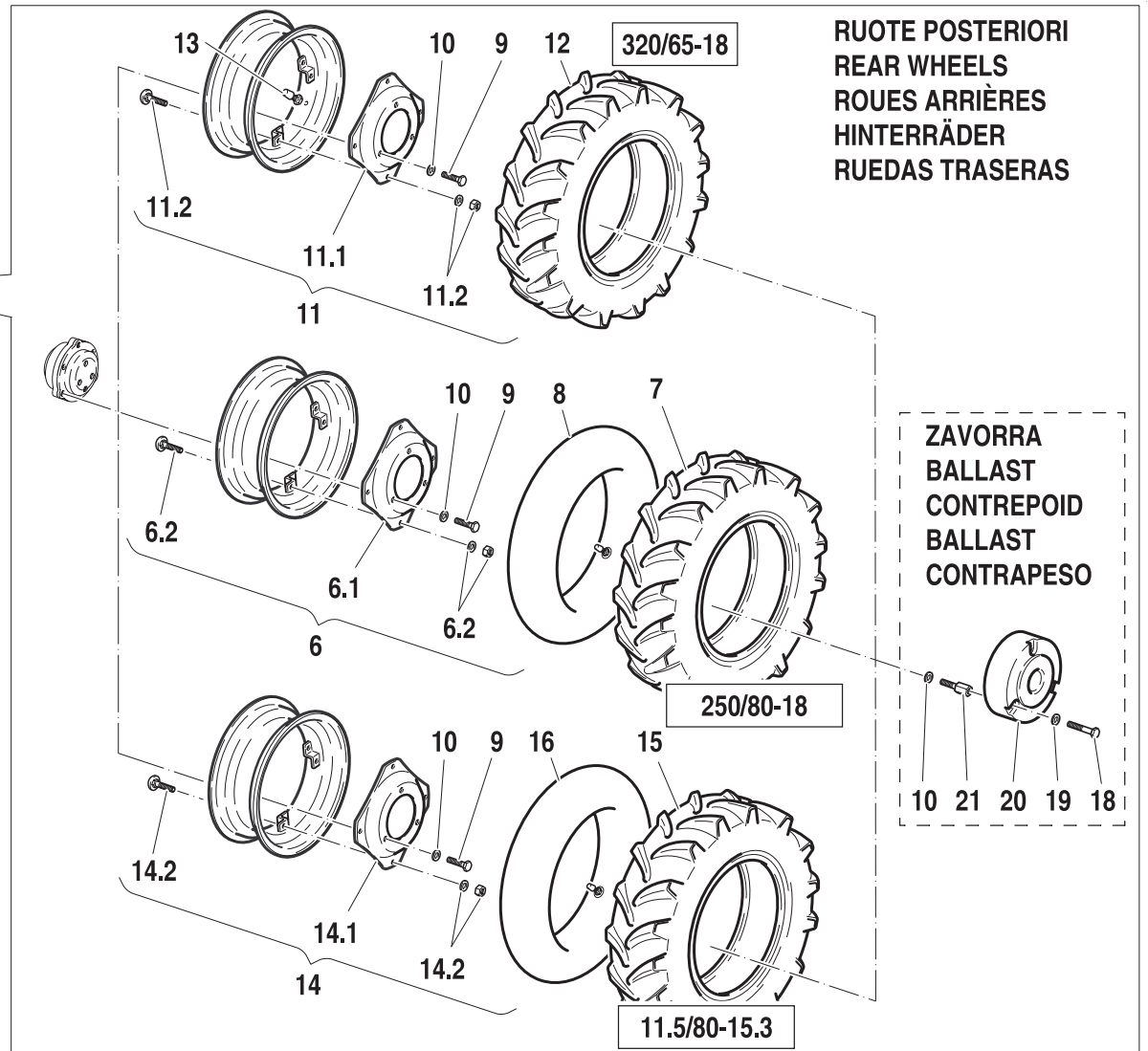
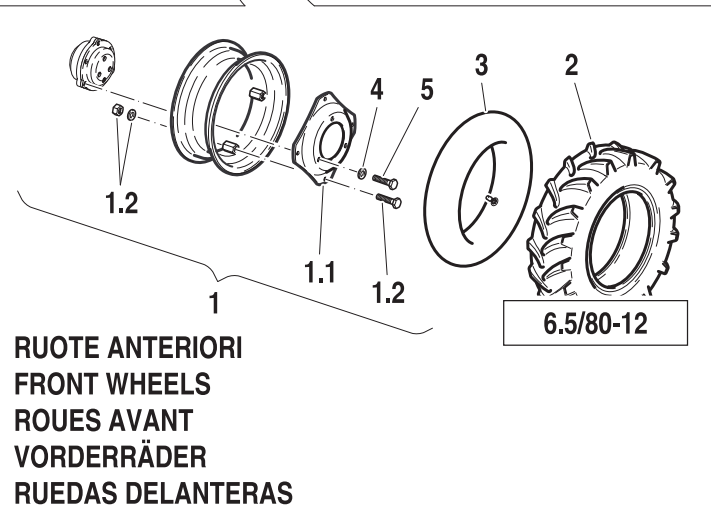
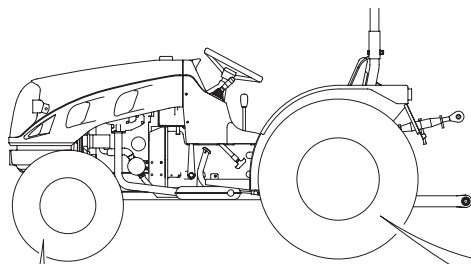
Pos.	Code	Q.ty	Description	Notes
1	56173608	1	BALLAST CARRIER	
2	31112272	1	SCREW TE M12X30 UNI 5739	
3	F0843843060	1	WASHER 12	
4	F0150051050	1	FRONT BALLAST	
5	56173609	1	ROD	
6	F0851486000	1	SPLIT PIN	
7	56173621	1	ROD	
8	F0150051145	1	SQUARE	
9	F0843807000	1	WASHER 10	
10	31241100	1	SELFLOCK NUT M10 6S	



Pos.	Code	Q.ty	Description	Notes
1	59374149	1	GANCIO TRAINO OMOLOGATO CEE *	
2	59074150	1	GANCIO DI TRAINO CEE COMPLETO	
3	59074151	1	PIN	
4	56174152	1	PIASTRA PER GANCIO CEE	
5	56174153	1	DISTANZIALE PER GANCIO CEE	
6	31411210	1	WASHER 21x37	
7	F0864441010	1	VITE M20X45 UNI 5739 CL8.8	

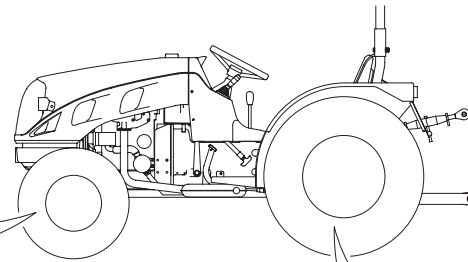
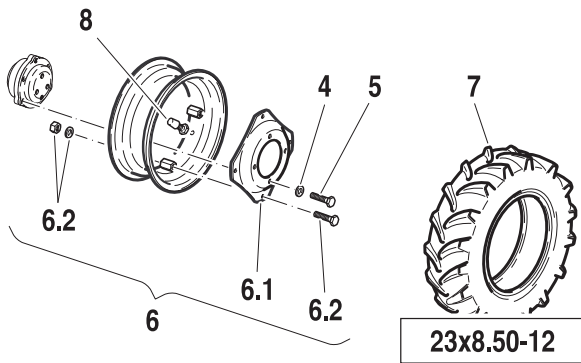
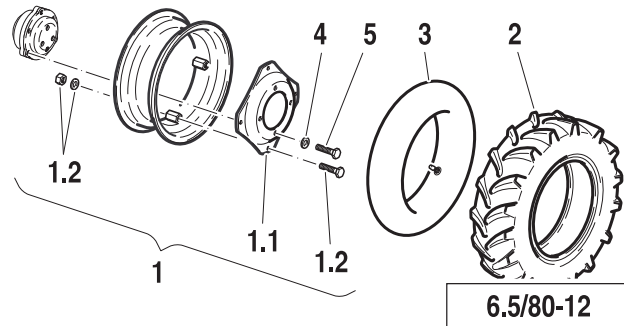


Pos.	Code	Q.ty	Description	Notes
1	56073155	1	PIN	
2	F0851497000	1	SPLIT PIN	
3	F0851486000	1	SPLIT PIN	
4	56372067	1	PIN	
5	56073153	1	INDEXING BOLT	
6	56373502	1	HINGE PIN	
7	59073373	1	RH HINGE	
8	59073151	1	ROD	
9	59073374	1	HOLDER	

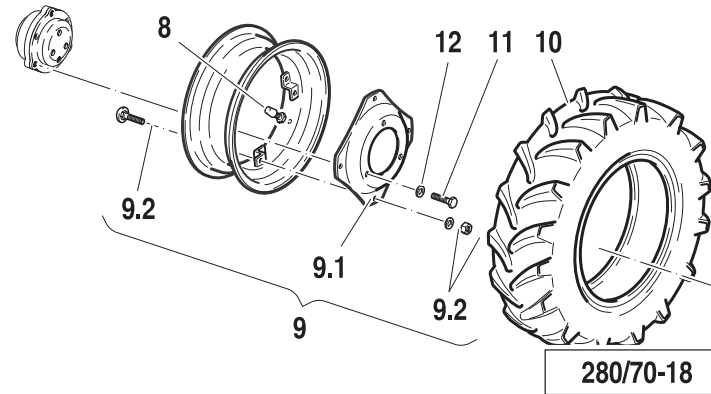


Pos.	Code	Q.ty	Description	Notes
1	F0849037000	1	RIM 4.50EX12 YELLOW	
1.1	F0849036020	1	FLANGE	
1.2	59900371	1	KIT	
2	F0848530050	1	TYRE 6.5/80-12 4PR	
3	39416018	1	INNER TUBE	
4	31411130	1	WASHER 13x24	
5	31112880	1	SCREW TE M12X1,25X20 UNI5740	
6	59271732	1	RIM	
6.1	58171689	1	FLANGE	
6.2	59900361	1	KIT	
7	F0848655000	1	TYRE 250/80-18 8PR	
8	F0848855000	1	INNER TUBE	
9	F0864410500	1	SCREW M18X1,5/45 U/5740	
10	F0844150000	1	WASHER D.30x18,5/5	
11	59271729	1	RIM	
11.1	58171689	1	FLANGE	
11.2	59900361	1	KIT	
12	F0848655100	1	TYRE 280/70R18	
13	F0150010905	1	VALVE	
14	59271888	1	RIM	
14.1	58171890	1	RIM	
14.2	59900361	1	KIT	
15	F0848672100	1	TYRE 11.5/80-15.3 8PR	
16	F0848844000	1	INNER TUBE	
17	F0848679600	1	TYRE 320/65R18	
18	F0864314000	1	SCREW M14X65 UNI 5737	
19	F0843993060	1	WASHER 28x15/4	
20	51172563	1	BALLAST	
21	56370539	1	SPECIAL SCREW	

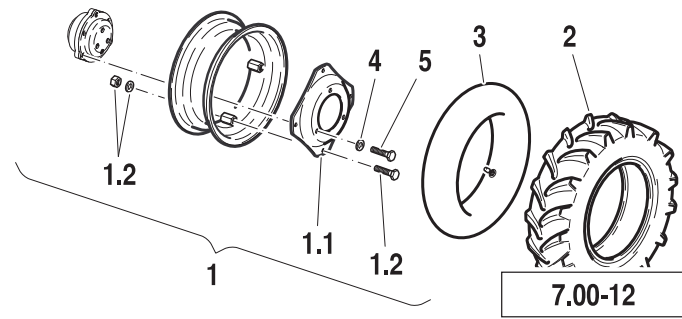
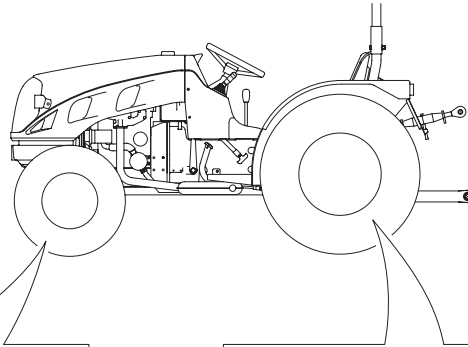
**RUOTE ANTERIORI
FRONT WHEELS
ROUES AVANT
VORDERRÄDER
RUEDAS DELANTERAS**



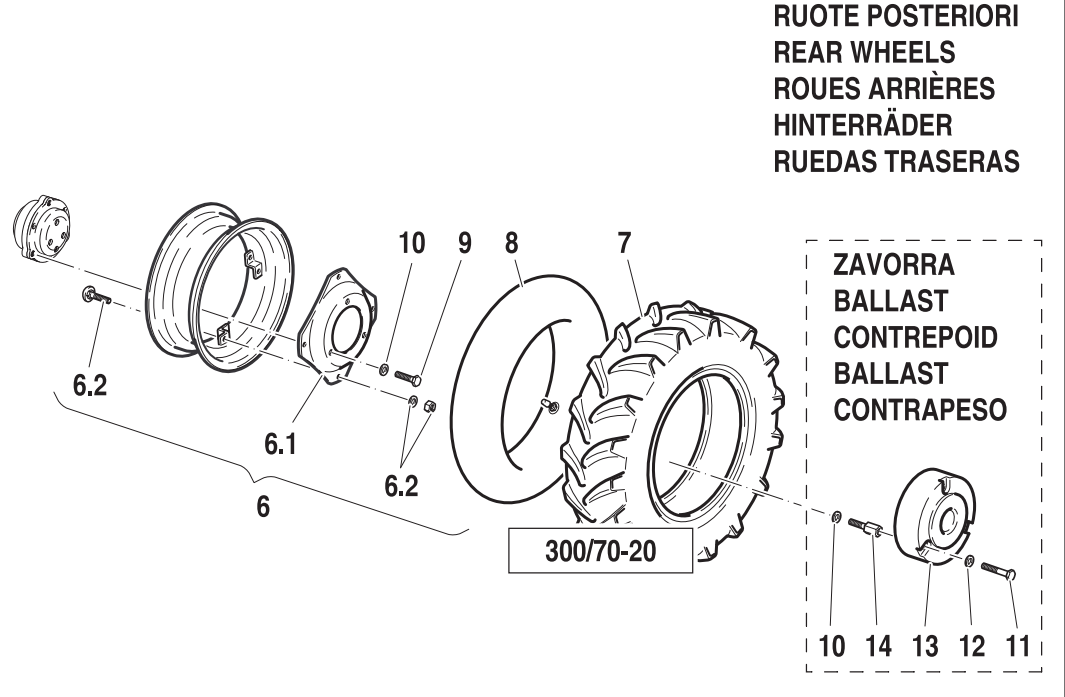
**RUOTE POSTERIORI
REAR WHEELS
ROUES ARRIÈRES
HINTERRÄDER
RUEDAS TRASERAS**



Pos.	Code	Q.ty	Description	Notes
1	F0849037000	1	RIM 4.50EX12 YELLOW	
1.1	F0849036020	1	FLANGE	
1.2	59900371	1	KIT	
2	F0848530050	1	TYRE 6.5/80-12 4PR	
3	39416018	1	INNER TUBE	
4	31411130	1	WASHER 13x24	
5	31112880	1	SCREW TE M12X1,25X20 UNI5740	
6	59275015	1	RIM	
6.1	58175070	1	DISCO 7KX12 GIALLO RAL 1003	
6.2	59900372	1	KIT	
7	39118525	1	TYRE 23X8.50-12 4PR	
8	F0150010905	1	VALVE	
9	59271729	1	RIM	
9.1	58171689	1	FLANGE	
9.2	59900361	1	KIT	
10	F0848655100	1	TYRE 280/70R18	
11	F0864410500	1	SCREW M18X1,5/45 U/5740	
12	F0844150000	1	WASHER D.30x18,5/5	
13	F0864314000	1	SCREW M14X65 UNI 5737	
14	F0843993060	1	WASHER 28x15/4	
15	51172563	1	BALLAST	
16	56370539	1	SPECIAL SCREW	



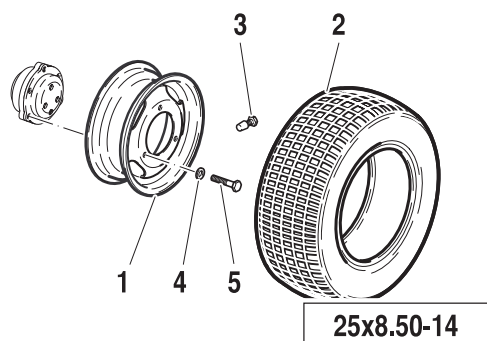
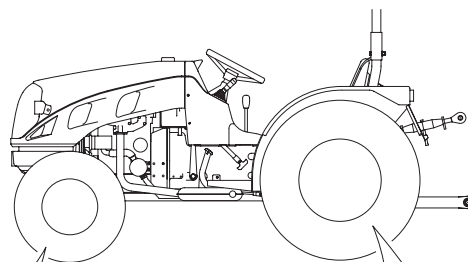
RUOTE ANTERIORI
 FRONT WHEELS
 ROUES AVANT
 VORDERRÄDER
 RUEDAS DELANTERAS



RUOTE POSTERIORI
 REAR WHEELS
 ROUES ARRIÈRES
 HINTERRÄDER
 RUEDAS TRASERAS

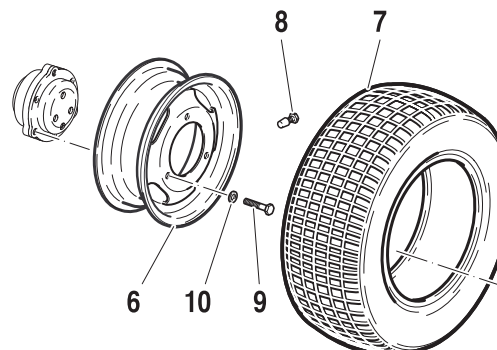
ZAVORRA
 BALLAST
 CONTREPOID
 BALLAST
 CONTRAPESO

Pos.	Code	Q.ty	Description	Notes
1	F0849037000	1	RIM 4.50EX12 YELLOW	
1.1	F0849036020	1	FLANGE	
1.2	59900371	1	KIT	
2	F0848625000	1	TYRE 7.00-12 6PR	
3	F0848880000	1	INNER TUBE	
4	31411130	1	WASHER 13x24	
5	31112880	1	SCREW TE M12X1,25X20 UNI5740	
6	59275732	1	RIM	
6.1	58175731	1	DISC	
6.2	59900539	1	SCREW SET	
7	F0848676050	1	TYRE 300/70 R20	
8	F0848920000	1	INNER TUBE	
9	F0864410500	1	SCREW M18X1,5/45 U/5740	
10	F0844150000	1	WASHER D.30x18,5/5	
11	F0864314000	1	SCREW M14X65 UNI 5737	
12	F0843993060	1	WASHER 28x15/4	
13	51172563	1	BALLAST	
14	56370539	1	SPECIAL SCREW	



25x8.50-14

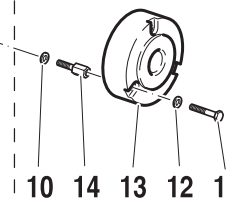
RUOTE ANTERIORI
FRONT WHEELS
ROUES AVANT
VORDERRÄDER
RUEDAS DELANTERAS



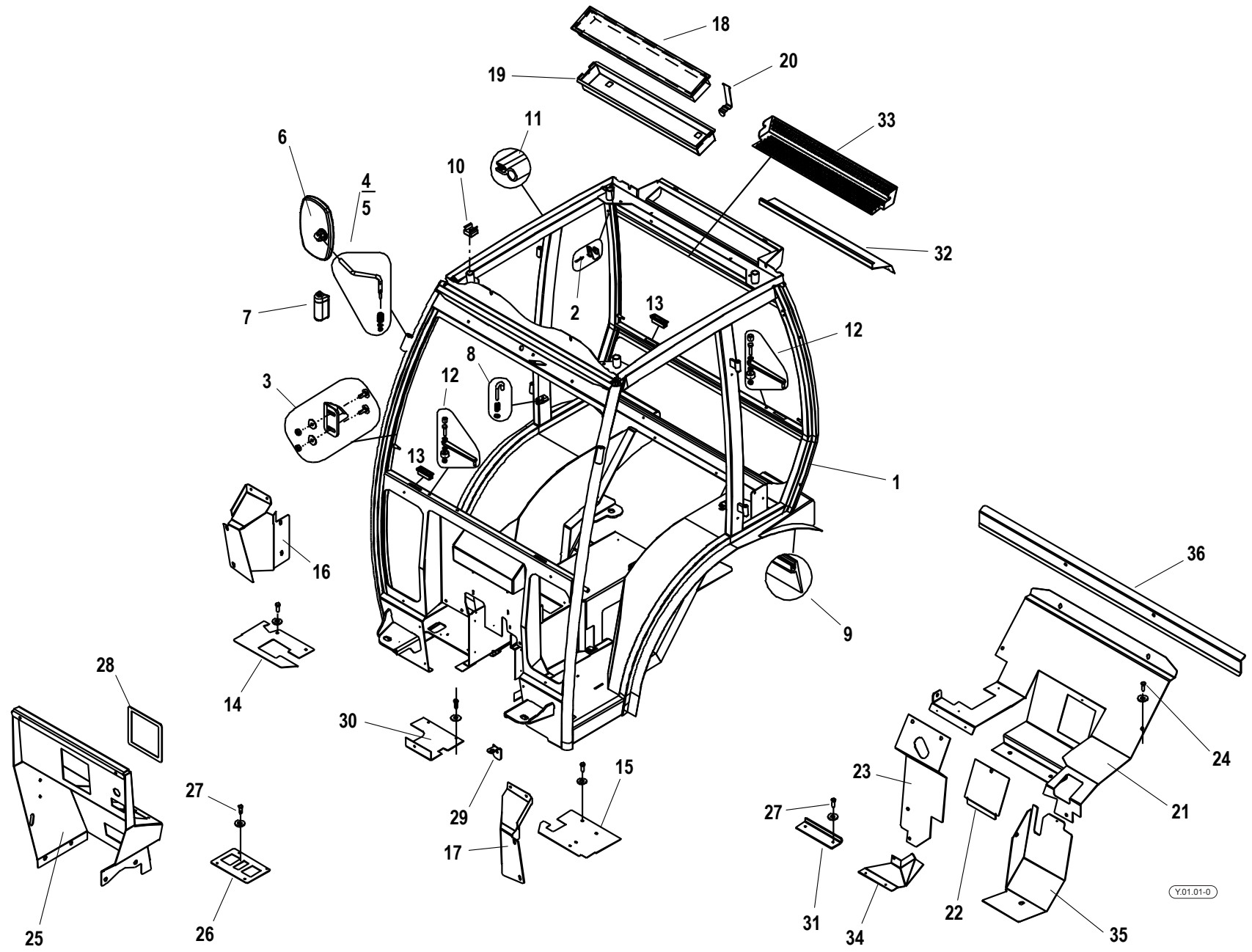
36x13.50-15

RUOTE POSTERIORI
REAR WHEELS
ROUES ARRIÈRES
HINTERRÄDER
RUEDAS TRASERAS

ZAVORRA
BALLAST
CONTREPOID
BALLAST
CONTRAPESO



Pos.	Code	Q.ty	Description	Notes
1	58174367	1	RIM	
2	F0848681800	1	TYRE 25X8.50-14/6	
3	F0848941000	1	VALVE	
4	31411130	1	WASHER 13x24	
5	31112880	1	SCREW TE M12X1,25X20 UNI5740	
6	58175910	1	RIM	
7	F0848681700	1	TYRE 36X13.50-15/4	
8	F0150010905	1	VALVE	
9	F0864410500	1	SCREW M18X1,5/45 U/5740	
10	F0844150000	1	WASHER D.30x18,5/5	
11	F0864314000	1	SCREW M14X65 UNI 5737	
12	F0843993060	1	WASHER 28x15/4	
13	51172563	1	BALLAST	
14	56370539	1	SPECIAL SCREW	



Y01.01-0

Pos.	Code	Q.ty	Description	Notes
1	59907000	1	CHASSIS FRAME	
2	59907001	1	CLEVIS	
3	59907002	1	DOWEL PIN	
4	59907003	1	REAR-VIEW MIRROR SUPPORT	
5	59907004	1	REAR-VIEW MIRROR SUPPORT	
6	59907005	2	REAR VIEW MIRROR	
7	59907006	2	COVER	
8	59907007	1	FORK	
9	59907008	1	PROFILE	
10	59907009	2	NUT	
11	59907010	1	PROFILE	
12	59907011	1	SUPPORT	
13	59907012	4	PEZZO DI RIPORTO (WM798000235)	
14	59907013	1	PLATE	
15	59907014	1	PLATE	
16	59907015	1	PLATE	
17	59907016	1	PLATE	
18	59907017	1	FILTER	
18.1	59907018	1	CARBON FILTER	
19	59907019	1	BRACKET	
20	59907020	2	SPRING	
21	59907021	1	PLATE	
22	59907022	1	COVER	
23	59907023	1	PLATE	
24	59907024	10	SCREW	
25	59907025	1	DASHBOARD	
26	59907026	1	CHASSIS FRAME	
27	59907027	11	SCREW	
28	59907028	1	CHASSIS FRAME	
29	59907029	1	BRACKET	
30	59907030	1	COVER	
31	59907031	1	BRACKET	
32	59907032	1	COVER	
33	59907033	1	COVER	

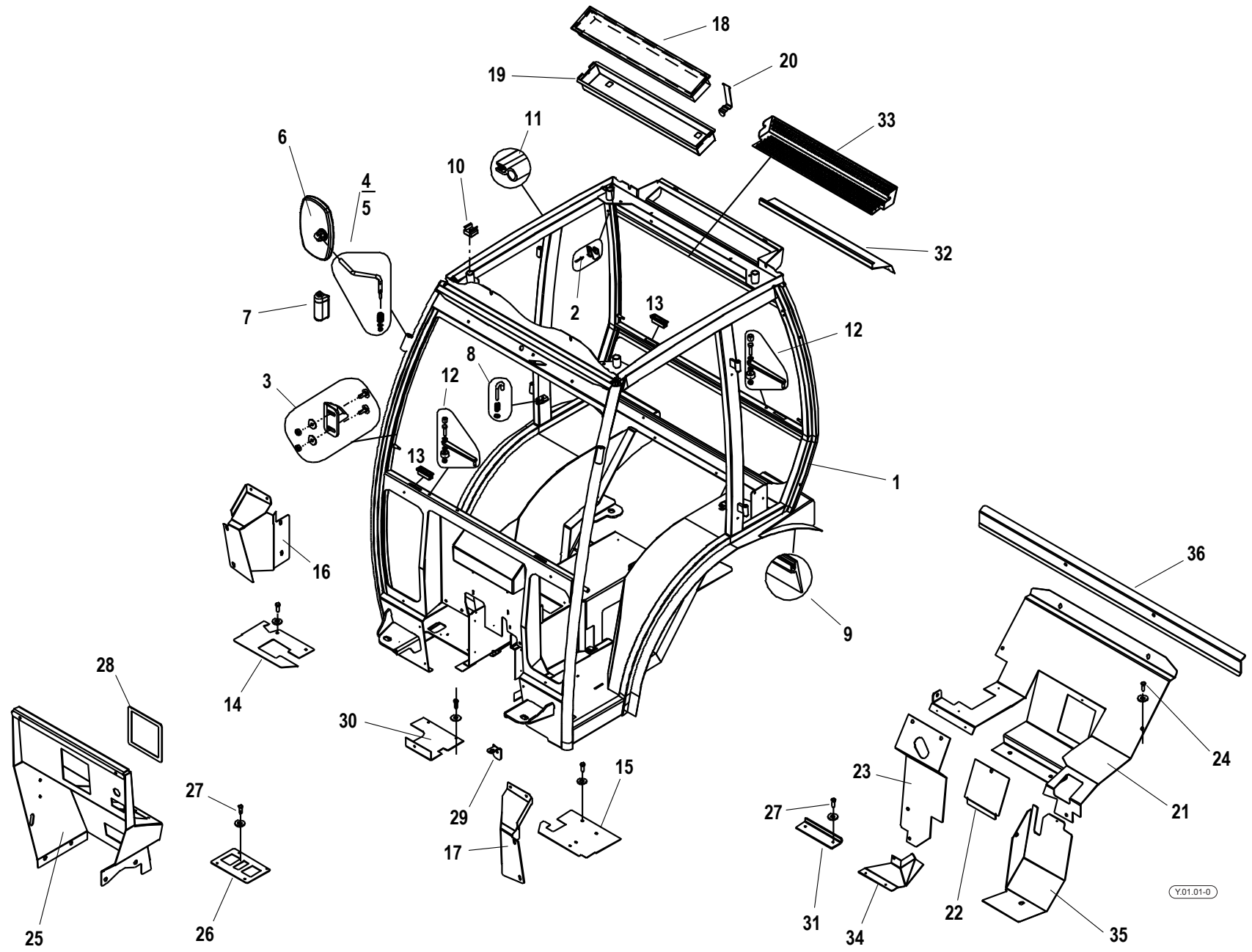
SERIAL

FRAME "MAUSER"

Version: 30-40CV

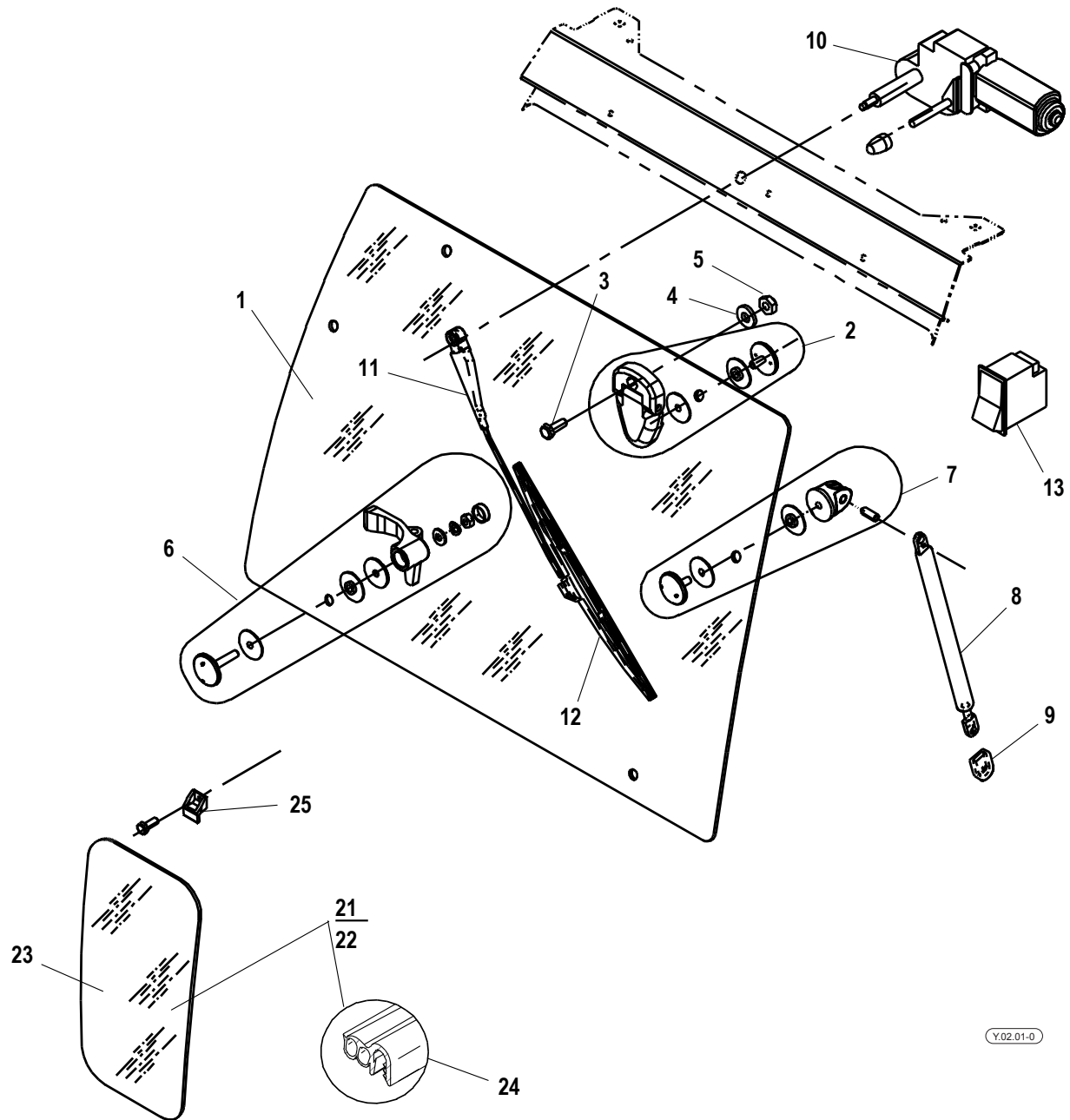
CODE REV

Y.01.01_0_46844



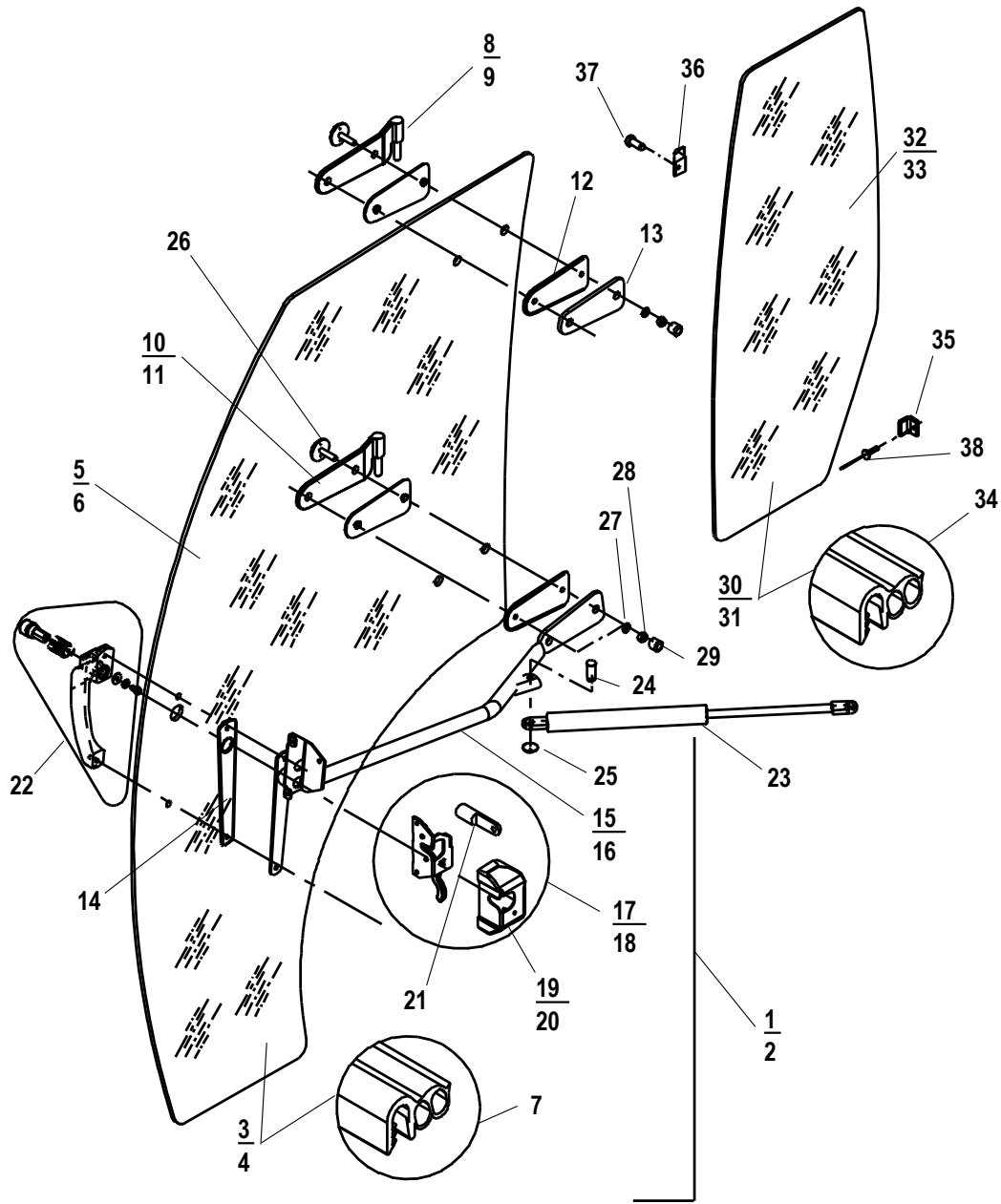
Y01.01-0

Pos.	Code	Q.ty	Description	Notes
34	59907034	1	PLATE	
35	59907035	1	PLATE	
36	59907036	1	LISTA (WM220134120)	



Y.02.01-0

Pos.	Code	Q.ty	Description	Notes
1	59907037	1	GLASS	
1.1	59907038	1	DECAL	
2	59907039	2	RH HINGE	
3	59907040	2	SCREW	
4	59907041	2	WASHER	
5	59907042	2	NUT	
6	59907043	1	CLIP	
7	59907044	1	SUPPORT	
8	59907045	2	SHOCKS ABSORBER	
9	59907046	2	SUPPORT	
10	59907047	1	WIPER MOTOR	
11	59907048	1	WINDSCREEN WIPER	
12	59907049	1	WINDSCREEN WIPER	
12.1	59907050	1	CABLE	
13	59907051	2	SWITCH	
13.1	59907052	2	DECAL	
21	59907053	1	GLASS AND GASKET	
22	59907054	1	GLASS AND GASKET	
23	59907055	2	GLASS	
24	59907056	1	PROFILE	
25	59907057	4	FIXTURE	



Pos.	Code	Q.ty	Description	Notes
1	59907058	1	CAB DOOR RIGHT	
2	59907059	1	CAB DOOR - LEFT	
3	59907060	1	GLASS AND GASKET	
4	59907061	1	GLASS AND GASKET	
5	59907062	1	RH DOORGLASS	
6	59907063	1	RH DOORGLASS	
7	59907056	1	PROFILE	
8	59907064	1	RH HINGE	
9	59907065	1	LH HINGE	
10	59907066	1	RH HINGE	
11	59907067	1	LH HINGE	
12	59907068	8	RUBBER	
13	59907069	2	PLATE	
14	59907070	2	RUBBER	
15	59907071	1	BRACKET	
16	59907072	1	BRACKET	
17	59907073	1	LOCK	
18	59907074	1	LOCK	
19	59907075	1	CAP	
20	59907076	1	CAP	
21	59907077	2	HANDLE	
22	59907078	2	DOOR HANDLE	
23	59907079	2	SHOCKS ABSORBER	
24	59907080	2	PIN	
25	59907081	2	CAP	
26	59907082	8	SCREW	
27	59907041	8	WASHER	
28	59907042	8	NUT	
29	59907083	8	PLUG	
30	59907084	1	GLASS AND GASKET	
31	59907085	1	GLASS AND GASKET	
32	59907086	1	GLASS	
33	59907087	1	GLASS	
34	59907056	1	PROFILE	

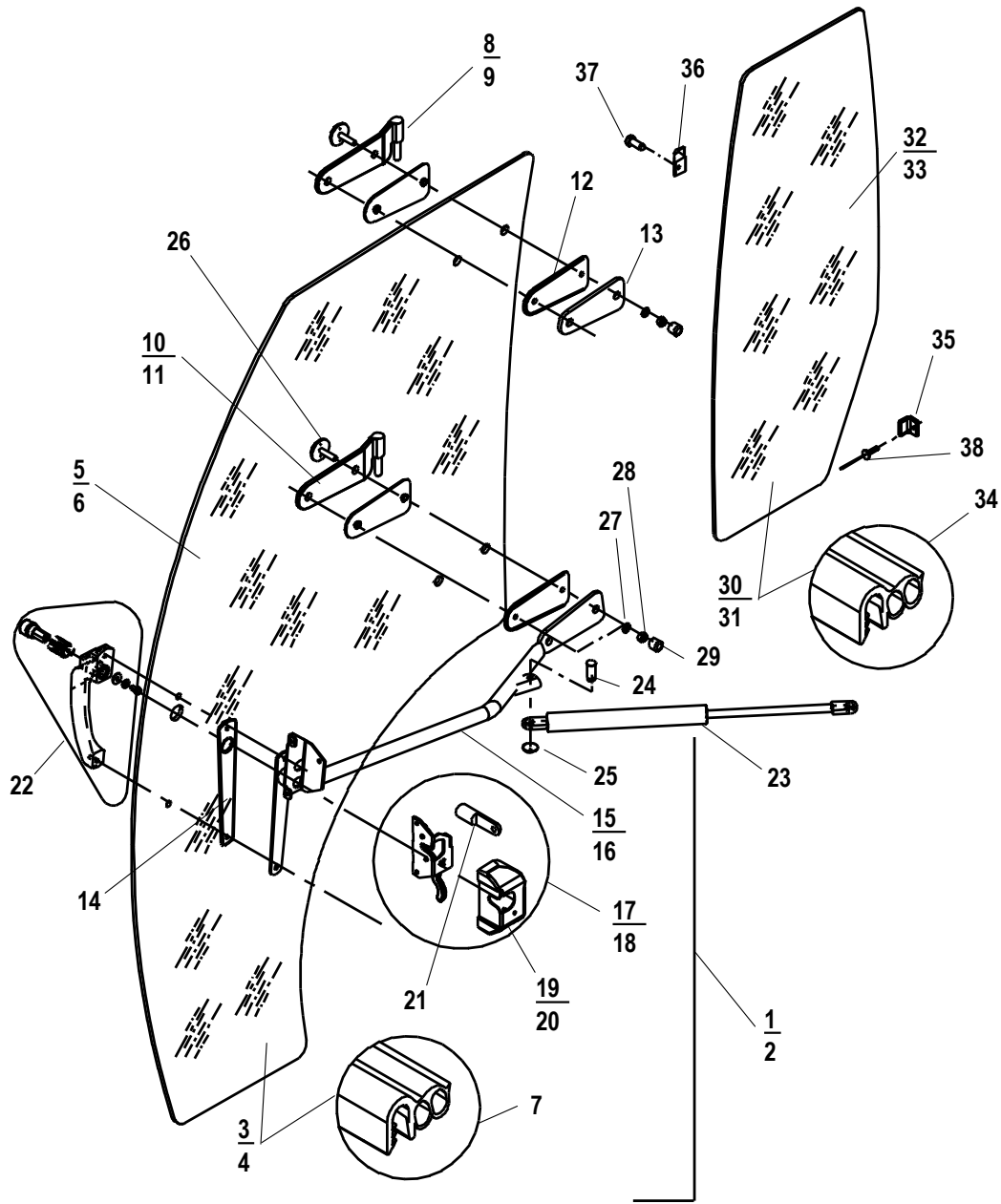
SERIAL

DOOR / SIDE WINDOW "MAUSER"

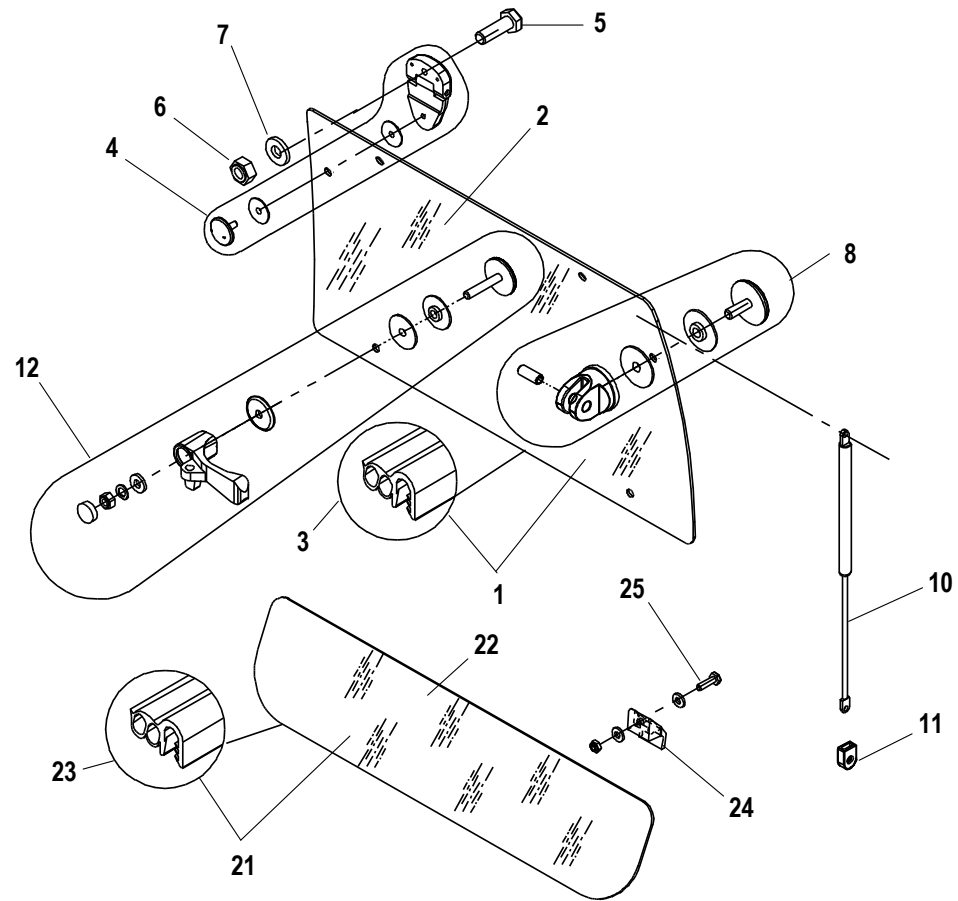
Version: 30-40CV

CODE REV

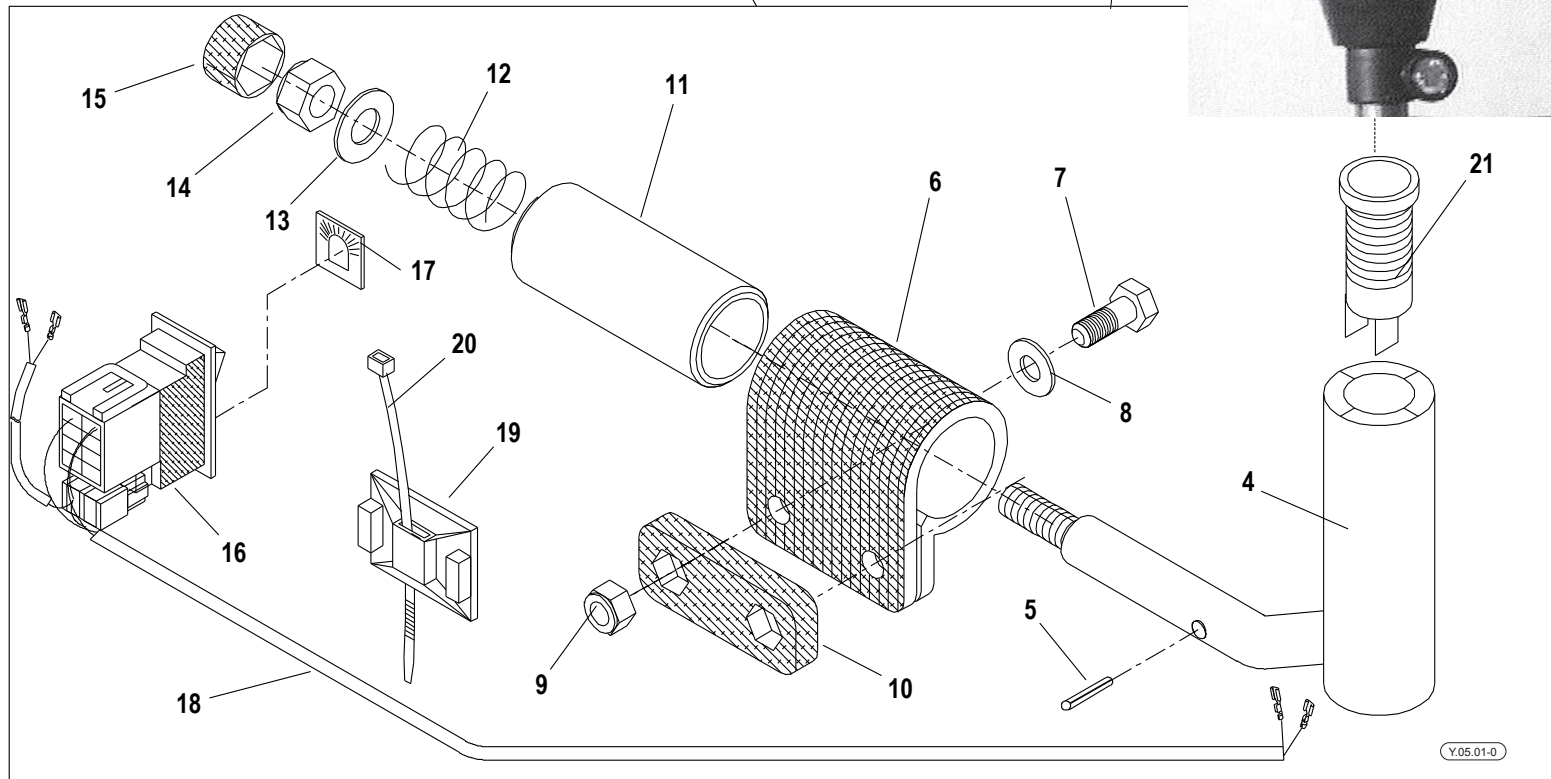
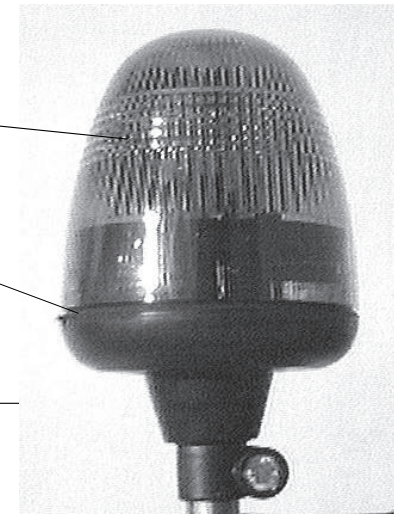
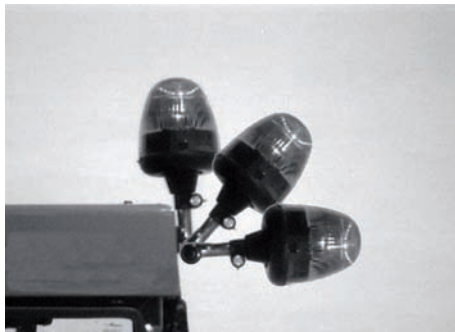
Y.03.01_0_46904



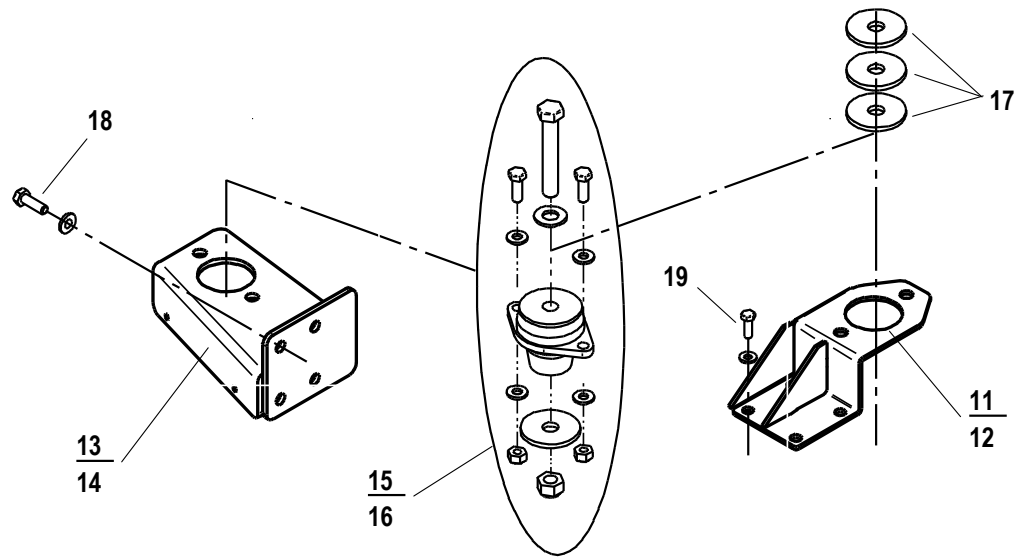
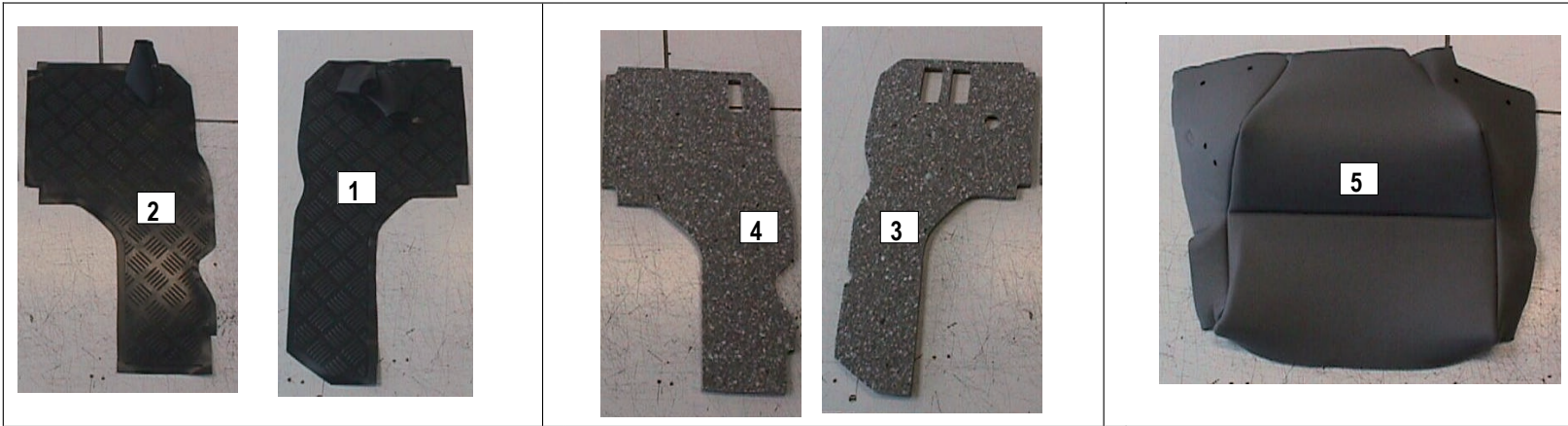
Pos.	Code	Q.ty	Description	Notes
35	59907088	4	DISPOS.CRISTALLO (WM798014540)	
36	59907057	4	FIXTURE	
37	59907089	4	SCREW	
38	59907090	4	RIVET	



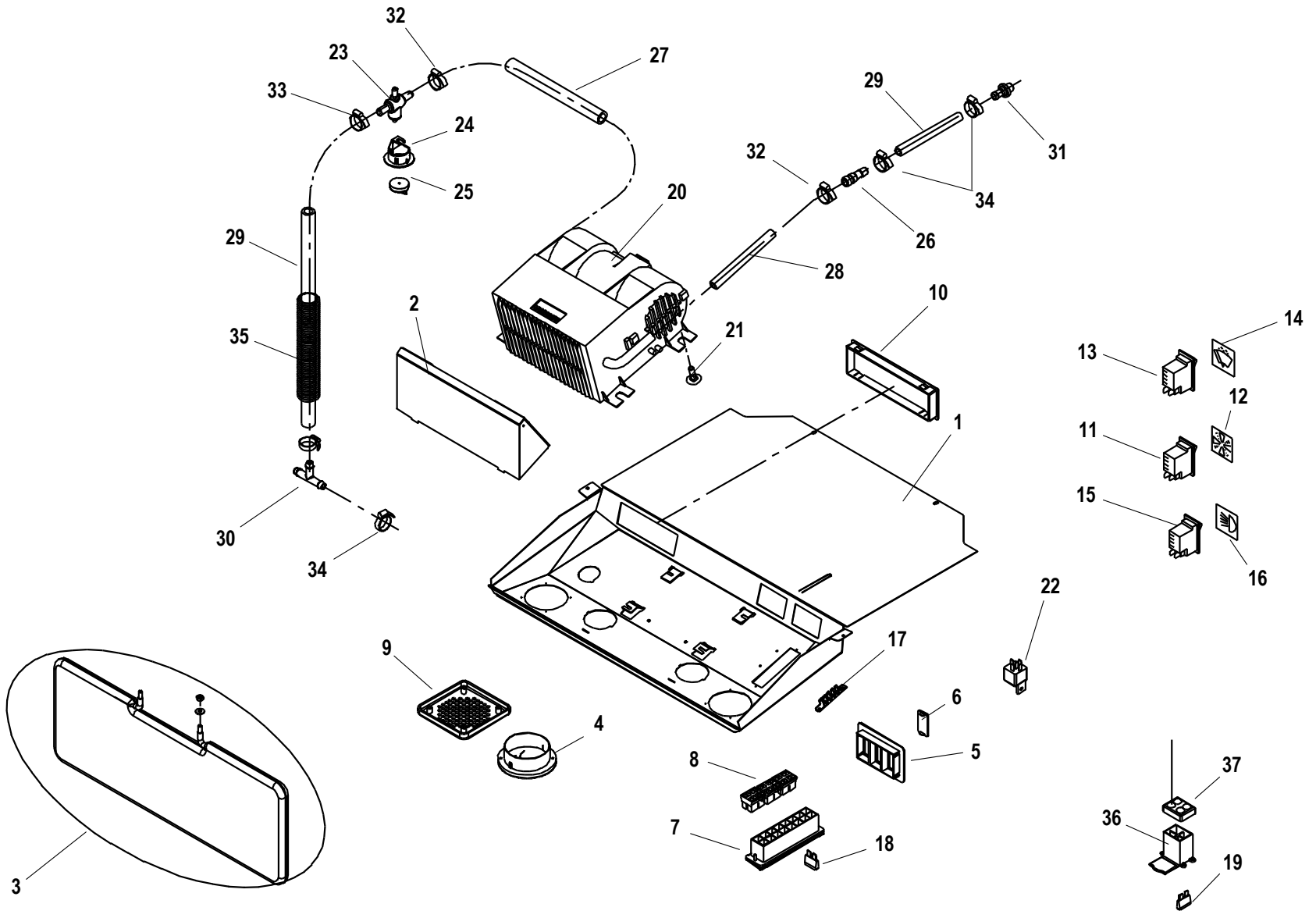
Pos.	Code	Q.ty	Description	Notes
1	59907091	1	GLASS AND GASKET	
2	59907092	1	GLASS	
3	59907056	1	PROFILE	
4	59907039	2	RH HINGE	
5	59907040	2	SCREW	
6	59907042	2	NUT	
7	59907041	2	WASHER	
8	59907044	1	SUPPORT	
9	59907093	2	SCREW-IN BUSH	
10	59907045	2	SHOCKS ABSORBER	
11	59907046	2	SUPPORT	
12	59907043	1	CLIP	
21	59907094	1	GLASS AND GASKET	
22	59907095	1	GLASS	
23	59907056	1	PROFILE	
24	59907057	4	FIXTURE	
25	59907024	4	SCREW	



Pos.	Code	Q.ty	Description	Notes
1	59907096	1	WARNING FACILITY	
2	59907097	1	BRACKET	
3	59907098	1	WARNING FACILITY	
4	59907099	1	LEVER ARM	
5	59907100	1	PIN	
6	59907101	1	SUPPORT	
7	59907102	2	SCREW	
8	59907103	2	WASHER	
9	59907104	2	NUT	
10	59907105	1	PLATE	
11	59907106	1	SLEEVE	
12	59907107	1	SPRING	
13	59907041	1	WASHER	
14	59907042	1	NUT	
15	59907083	1	PLUG	
16	59907108	1	SWITCH	
17	59907109	1	DECAL	
18	59907110	1	CABLE	
19	59907111	3	BEARING ASSEMBLY	
20	59907112	3	COLLAR	
21	59907113	1	SOCKET	
21.1	59907114	1	BRACKET	



Pos.	Code	Q.ty	Description	Notes
1	59907115	1	SHOE	
2	59907116	1	SHOE	
3	59907117	1	STRIPE	
4	59907118	1	STRIPE	
5	59907119	1	FILLER	
11	59907133	1	SUPPORT	
12	59907134	1	SUPPORT	
13	59907135	1	SUPPORT	
14	59907136	1	SUPPORT	
15	59907137	1	SILENT-BLOCK	
16	59907138	1	SILENT-BLOCK	
17	59907139	10	WASHER	
18	59907140	8	SCREW	
19	59907141	8	SCREW	



Pos.	Code	Q.ty	Description	Notes
1	59907142	1	INSERT	
1.1	59907143	1	FILLER	
2	59907144	1	TUBE	
3	59907145	1	ROLL-UP SUN-SHADE	
4	59907146	2	BLOWER	
5	59907147	2	BRACKET	
6	59907148	3	PLUG	
7	59907149	1	FUSE-HOLDER	
8	59907150	1	PIN	
9	59907151	2	COVER	
10	59907152	1	PLUG	
11	59907153	1	SWITCH	
12	59907154	1	DECAL	
13	59907051	1	SWITCH	
14	59907052	1	DECAL	
15	59907108	1	SWITCH	
16	59907155	1	DECAL	
17	59907156	1	ROTAIA (WM782540010)	
18/1	59907157	2	FUSE/LOCK	
18/2	59907158	1	FUSE/LOCK	
18/3	59907159	1	FUSE/LOCK	
19	59907160	1	FUSE/LOCK	
20	59907161	1	HEATER	
21	59907162	4	SCREW	
22	59907163	1	RELAY	
23	59907164	1	VALVE	
24	59907165	1	SUPPORT	
25	59907166	1	HANDLE	
26	59907167	1	REDUCTION	
27	59907168	1	FLEXIBLE HOSE	
28	59907168	1	FLEXIBLE HOSE	
29	59907169	1	FLEXIBLE HOSE	
30	59907170	1	CONNECTION	
31	59907171	1	PIPE FITTING	

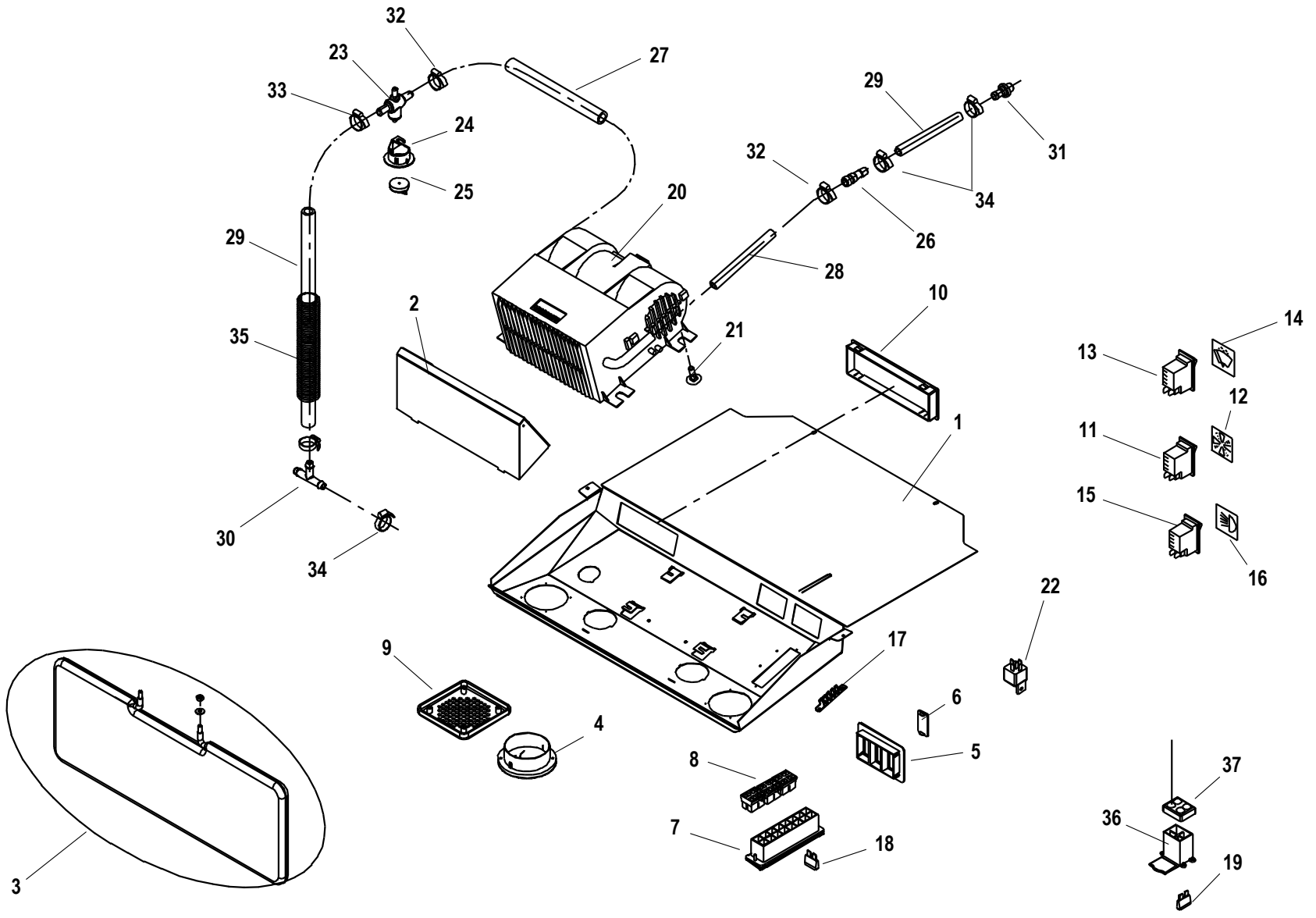
SERIAL

ROOF INSERT "MAUSER"

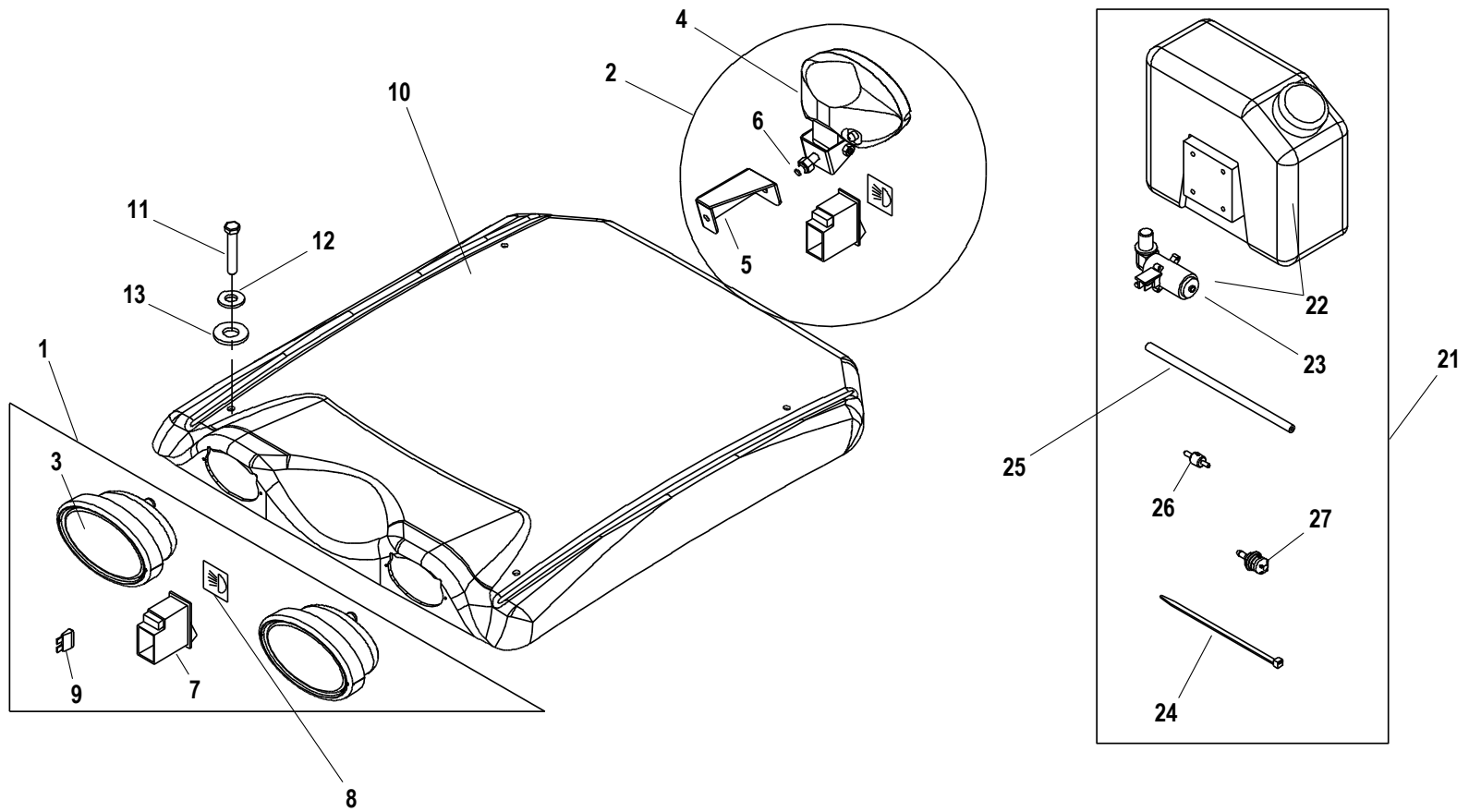
Version: 30-40CV

CODE REV

Y.07.01_0_46999



Pos.	Code	Q.ty	Description	Notes
32	59907172	1	CLAMP	
33	59907173	1	CLAMP	
34	59907174	1	CLAMP	
35	59907175	1	PIPE	
36	59907176	1	FUSE-HOLDER	
37	59907177	1	PLUG	
37.1	59907050	1	CABLE	
37.2	59907178	1	CABLE	
37.3	59907179	1	CABLE	



Pos.	Code	Q.ty	Description	Notes
1	59907180	1	HEADLIGHT	
2	59907181	1	HEADLIGHT	
3	59907182	2	HEADLIGHT	
4	59907183	1	HEADLIGHT	
5	59907184	1	BRACKET	
6	59907040	1	SCREW	
6.1	59907185	1	CABLE	
7	59907108	2	SWITCH	
8	59907155	2	DECAL	
9	59907159	2	FUSE/LOCK	
9.1	59907186	1	CABLE	
10	59907187	1	ROOF	
11	59907188	4	SCREW	
12	59907189	4	WASHER	
13	59907190	4	WASHER	
21	59907191	1	SCREEN WASHER SYSTEM	
22	59907192	1	TANK	
23	59907193	1	PUMP	
24	59907112	5	COLLAR	
25	59907194	1	PIPE	
26	59907195	1	VALVE	
27	59907196	1	INJECTION NOZZLE	
27.1	59907197	1	CABLE	